

4

3

2

1

THIS DRAWING IS UNPUBLISHED.

RELEASED FOR PUBLICATION

,1998 .

© COPYRIGHT 1999

BY AMP KOREA.

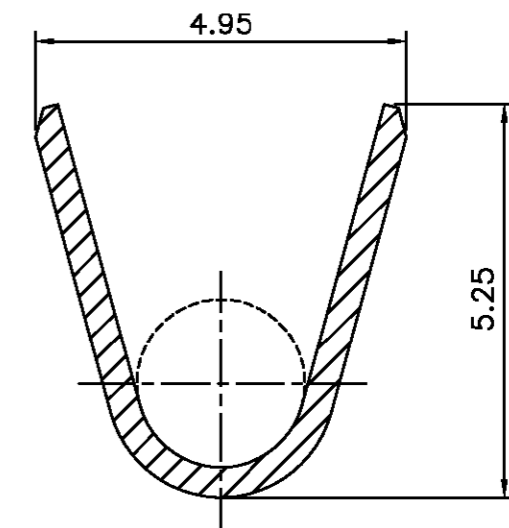
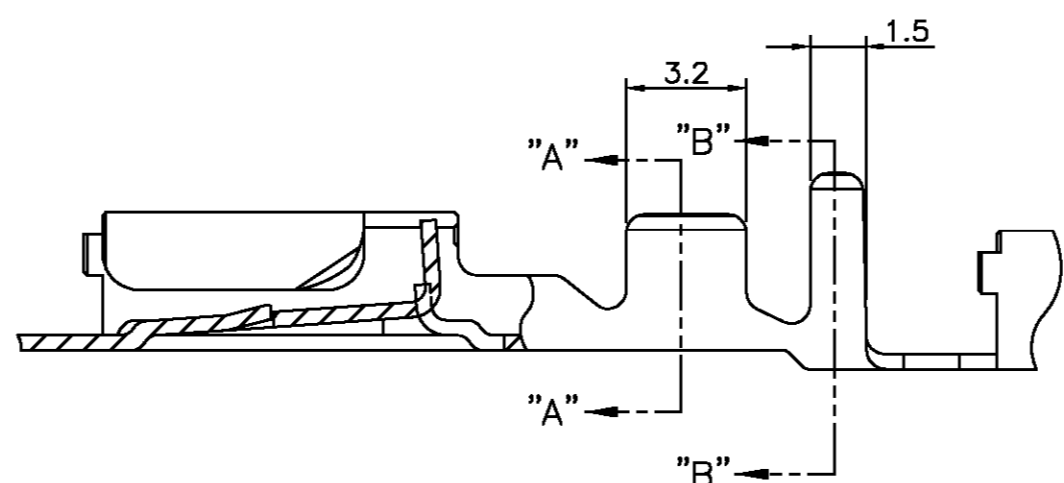
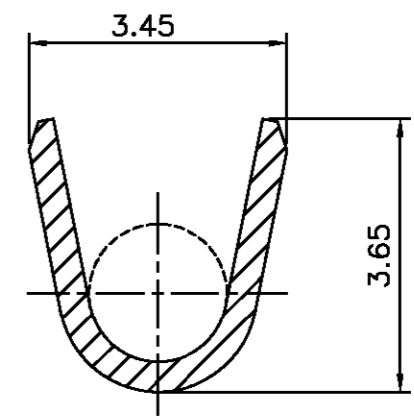
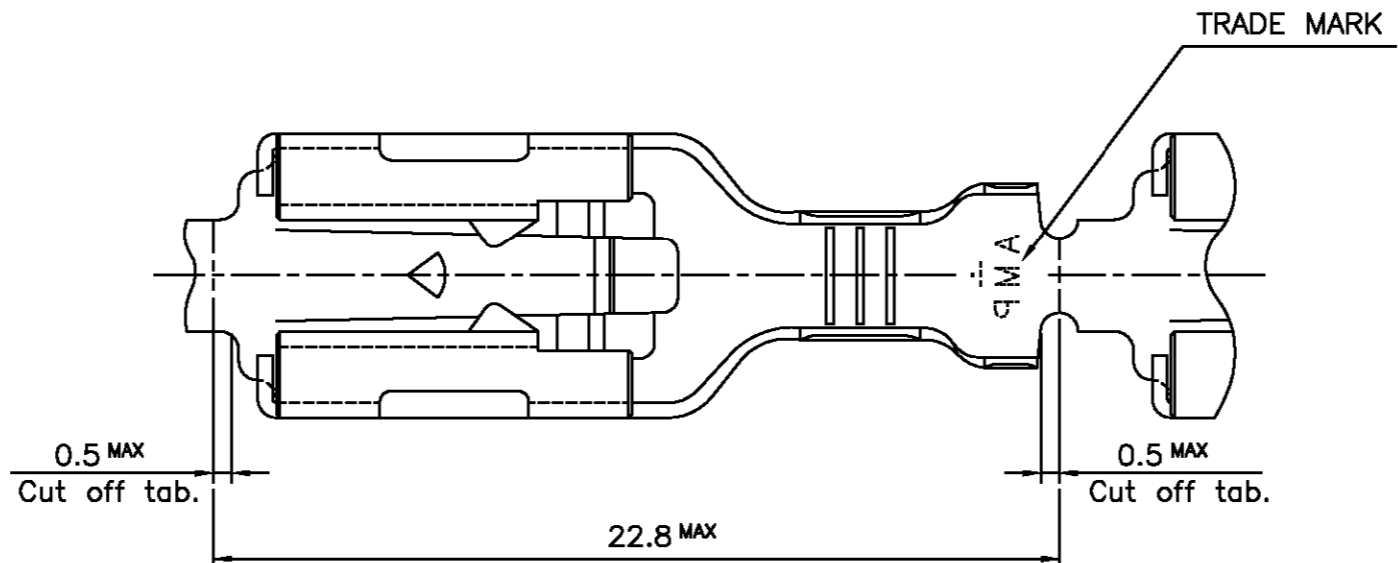
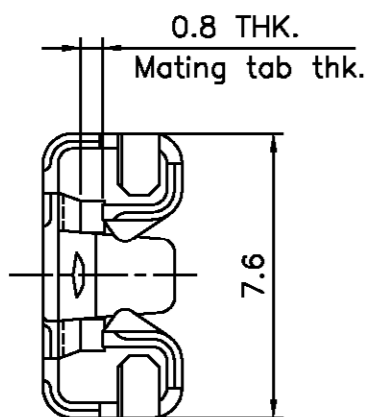
ALL RIGHTS RESERVED.

LOC DS

DIST

REVISIONS

P	LTR	DESCRIPTION	DATE	DWN	APVD
A		REDRAWN W/CHANGE FC00-0053-99	07.MAY'99	YM	CS



* NOTES;

- 1 WIRE SIZE EQUIV AVS 0.75 ~2.27 Sqmm.
- 2 INSULATION DIA RANGE 2.2 ~3.4 mm.

85069 -2
PART NUMBER

THIS DRAWING IS CONTROLLED DOCUMENT FOR AMP INCORPORATED. IT IS SUBJECT TO CHANGE AND THE CONTROLLING ENGINEERING ORGANIZATION SHOULD BE CONTACTED FOR THE LATEST REVISION.		DWN	AMP AMP KOREA. kyungsan, korea		
DIMENSIONS: MM		CHK			
TOLERANCES UNLESS OTHERWISE SPECIFIED: 0 <XX<10 ± 0.2 10 <XX<30 ± 0.25 30 <XX<100 ± 0.3 ANGLES ± 3°		APVD	NAME .250 AUTOMOTIVE POSITIVE LOCK REC		
MATERIAL TKLF-5Z 0.4THK.		PRODUCT SPEC 108-5164	SIZE A3	CAGE CODE 00779	DRAWING NO C- 8 5 0 6 9
		APPLICATION SPEC 114-5060	SCALE 5/1 SHEET 1 OF 1 REV A		
FINISH PRE-TINNED		WEIGHT			