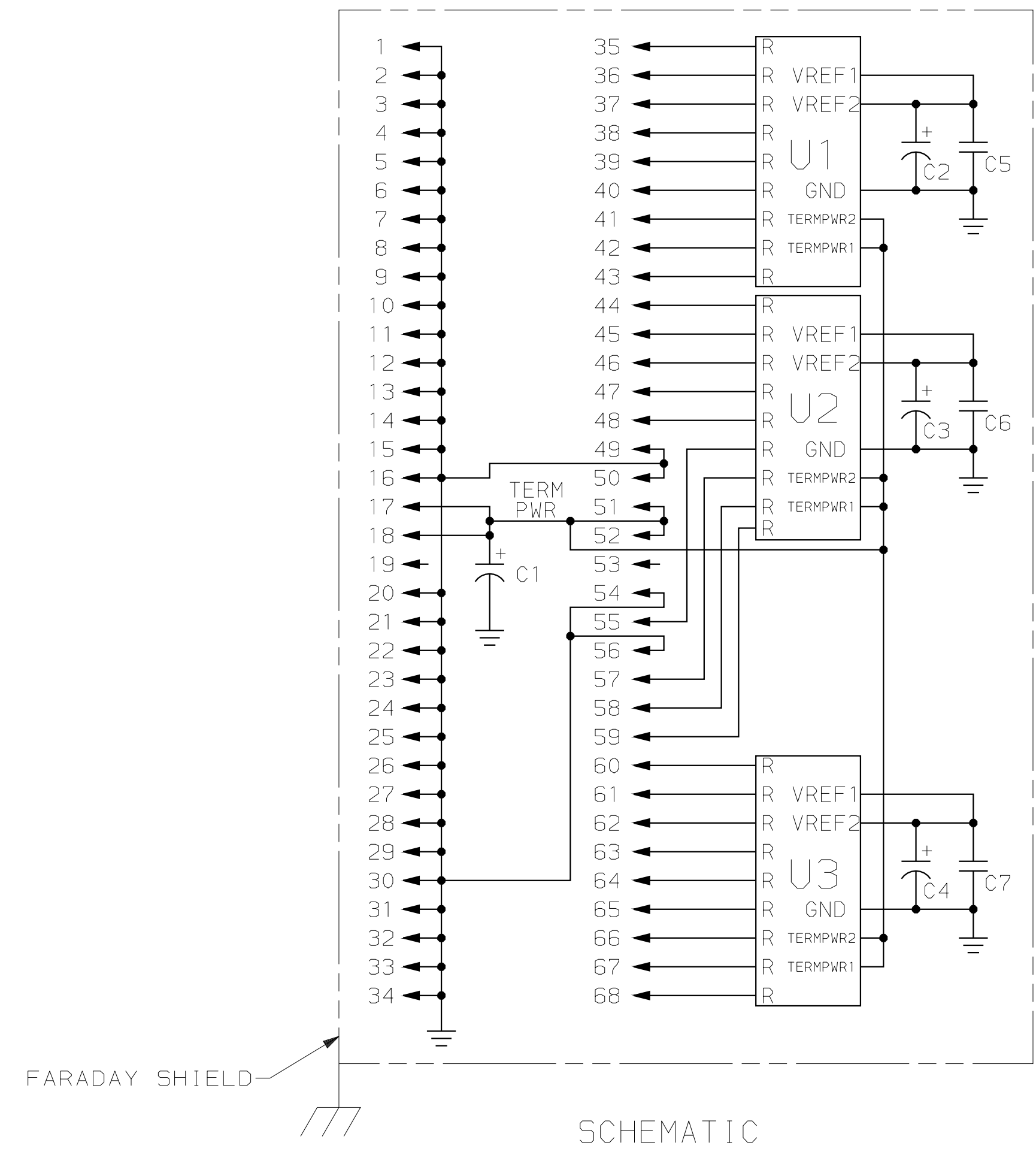
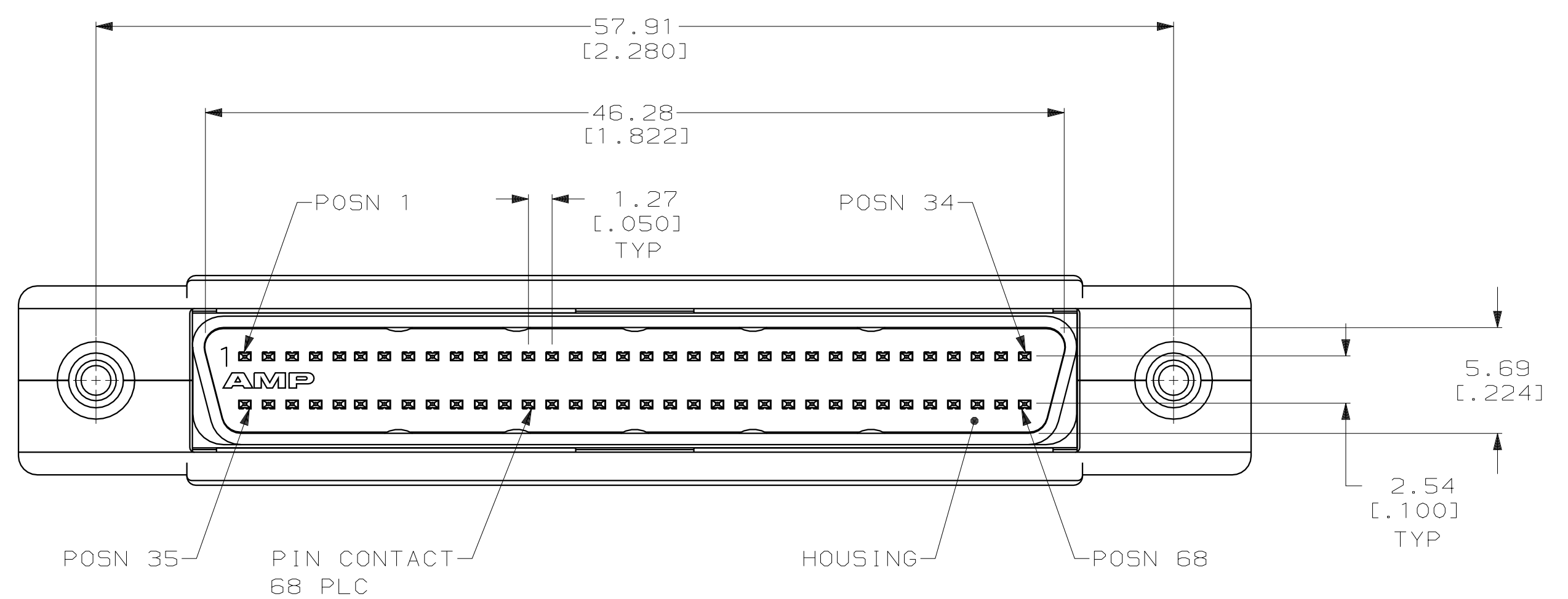
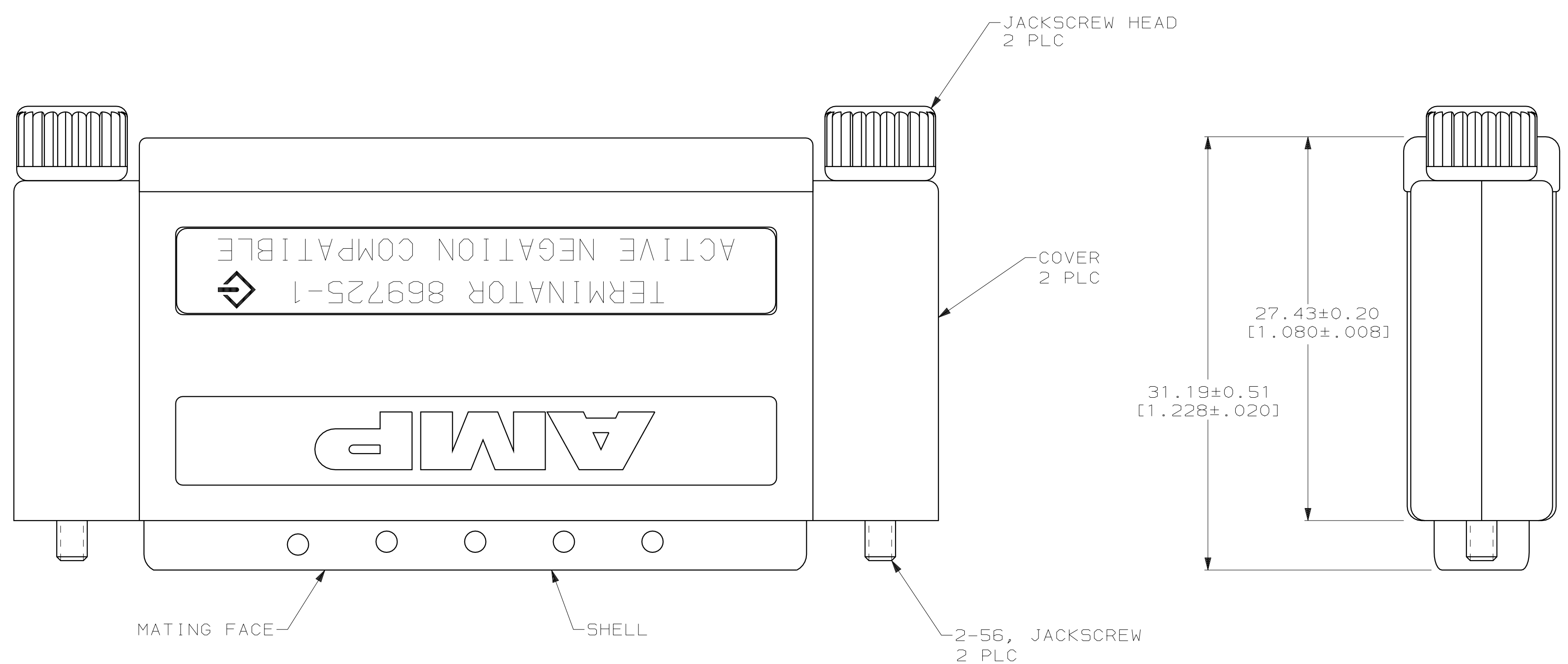
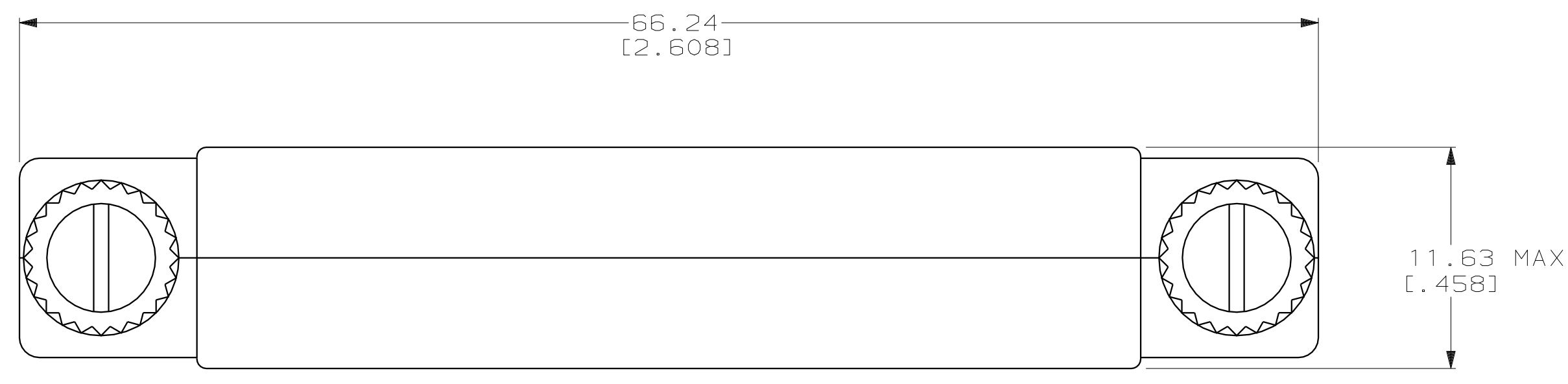


LOC		DIST		P		F		ZONE		LTR		REVISIONS			
GP	00											DESCRIPTION	DATE	APPD	
												0	RLSE NPR 4643, WA5 93-4163-004-10	3-93	-
												A	REV PER EC 0020-1462-93	01/31/94	MLP
												B	REV PER ECN 0020-556-94	05/19/94	DW
												C	REV PER EC 0020-26-95	02/01/95	PR
												D	ADDED -2 PER EC 0420-104-97	17 JUL 97	JV
												E	REV PER EC 051A-0168-00	28 JUN 00	MG



- ① SHELL: CARBON STEEL; PIN CONTACT: PHOSPHOR BRONZE; HOUSING: POLYESTER, UL94 V-0 RATED, BLACK; PC BOARD: LAMINATED PLASTIC (GRADE FR-4), COPPER CLAD; JACKSCREW: STAINLESS STEEL; SHIELD: COPPER; COVER: ABS, UL94 V-0 RATED, GREY; JACKSCREW HEAD: PVC, GREY.
- ② 5.08µm[.000200] MIN TIN-NICKEL OVER 1.27µm[.000050] MIN COPPER.
- ③ 0.76µm[.000030] MIN GOLD FOR A LENGTH OF 3.35[.132] MIN FROM MATING END OVER 1.27µm[.000050] MIN NICKEL.
- ④ C1: 2.2µF TANTALUM CAPACITOR, 15V MIN, ±20%; C2, C3, AND C4: 4.7µF TANTALUM CAPACITOR, 15V MIN, ±20%; C5, C6, AND C7: 0.1µF CERAMIC CAPACITOR, 25V MIN, ±20%; U1, U2, AND U3: 20-PIN TERMINATOR.
- ⑤ PIN DESIGNATORS R REPRESENTS R1 THRU R9.
- ⑥ SEE RESTRICTED CUSTOMER DRAWING 869725-2.

⑥	869725-1
PART NUMBER	

DO NOT SCALE PRINT. UNLESS SPECIFIED DIMENSIONS IN mm [INCHES]		DR 03/22/93 J.McCLINTON		AMP Incorporated Harrisburg, PA 17105-3608	
TOLERANCES: ON: 2 PLC DEC ± 0.25[.010] 3 PLC DEC ± - ANGLES ± -		CHK 04/05/93 R.STONE			
MATERIAL		APPD 04/23/93 M.PAIKIN		NAME	
FINISH		APPD 04/23/93 M.PAIKIN		PLUG ASSEMBLY, 68 POSITION, .050 SERIES AMPLIMITE™, TERMINATOR	
SHELL: ② CONTACTS: ③		PRODUCT SPEC		SIZE	
WEIGHT		APPLICATION SPEC		CAGE CODE	
				DRAWING NO.	
				00779 C-869725	
				SCALE	
				4:1	
				1 OF 1	

THIS DRAWING IS A CONTROLLED DOCUMENT FOR AMP INCORPORATED. IT IS SUBJECT TO CHANGE AND THE CONTROLLING ENGINEERING ORGANIZATION SHOULD BE CONTACTED FOR THE LATEST REVISION.

NOT THE LATEST REVISION