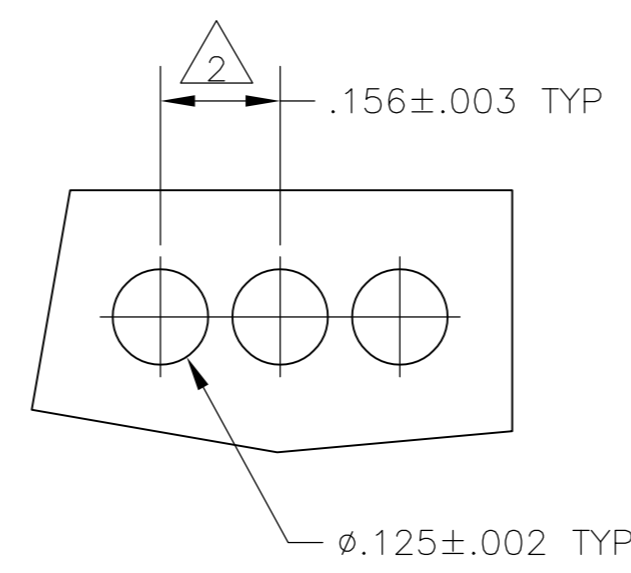
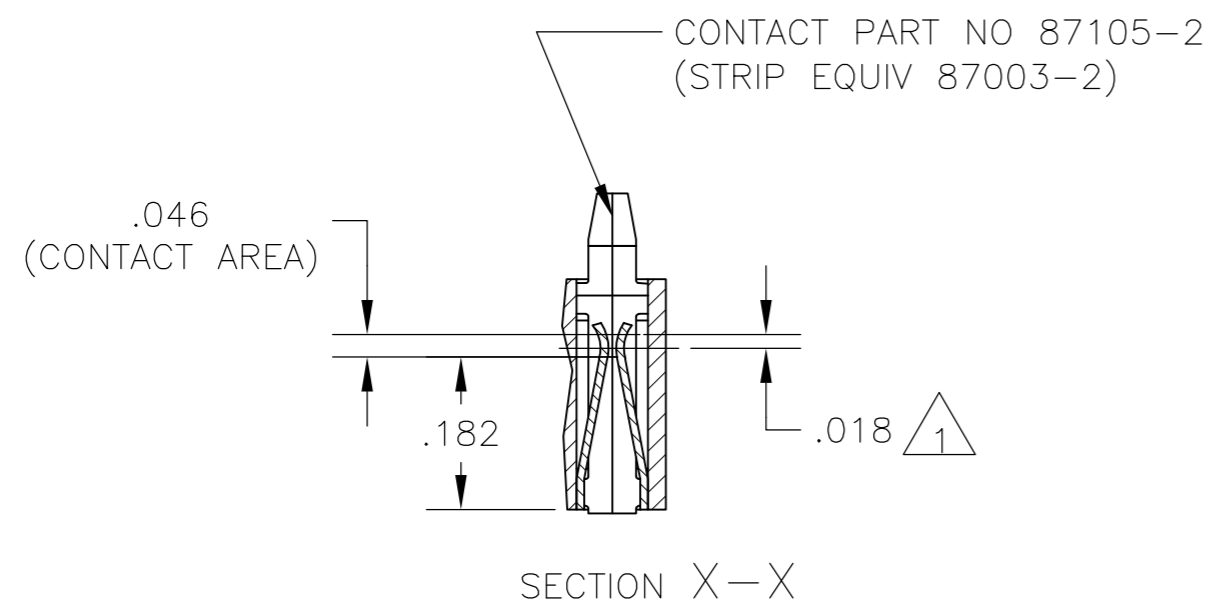


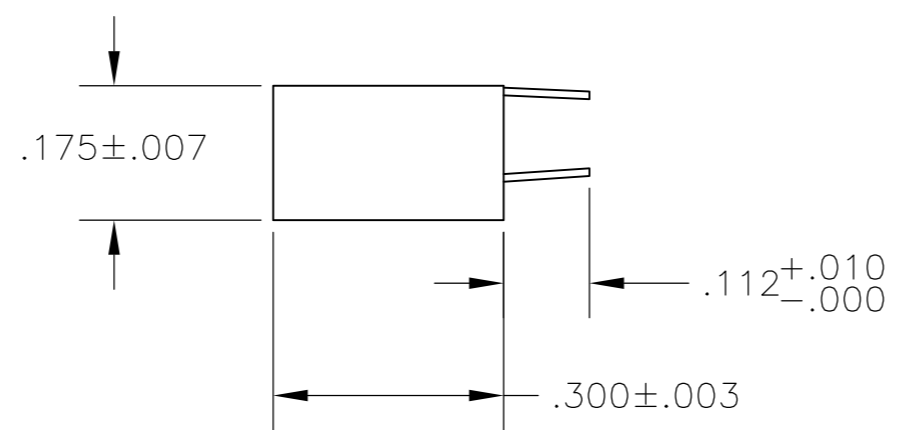
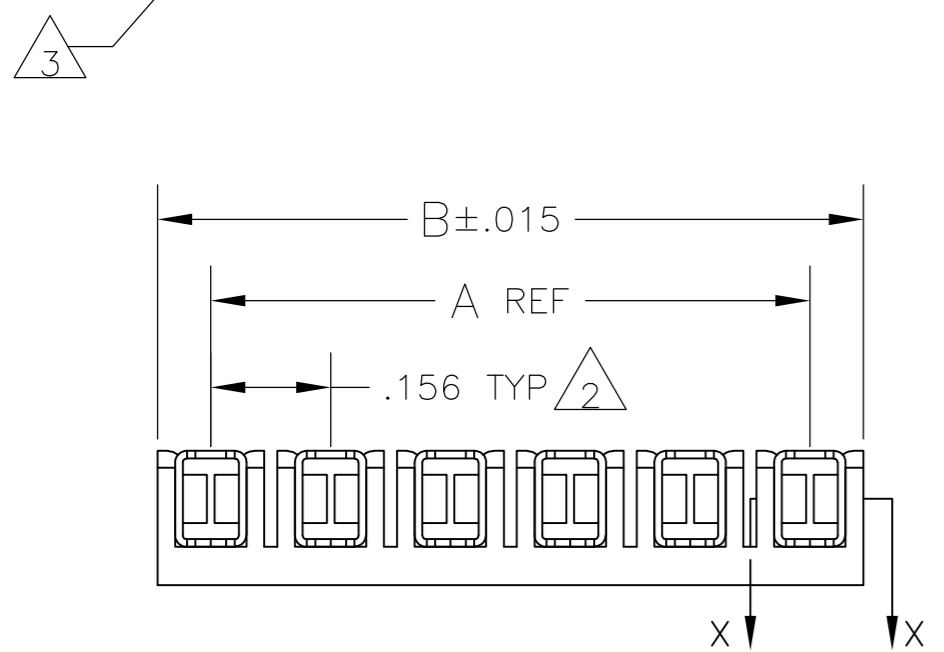
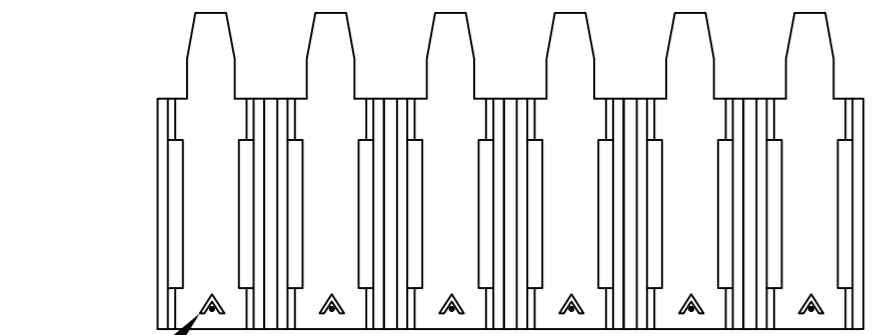
THIS DRAWING IS UNPUBLISHED. RELEASED FOR PUBLICATION
 © COPYRIGHT - TE CONNECTIVITY ALL RIGHTS RESERVED.

REVISIONS				
P	LTR	DESCRIPTION	DATE	DWN APVD
K1		REVISED PER ECO-09-024927	06NOV09	KK AEG
K2		REVISED PER ECO-16-003210	18APR16	RP PS



RECOMMENDED BOARD MOUNTING
 (RECOMMENDED BOARD THICKNESS: .055-.070)

- 1 POINT OF MEASUREMENT FOR PLATING THICKNESS (INSIDE OF BEAMS).
- 2 TOLERANCE NON-CUMULATIVE.
- 3 THE MATING END OF THE CONTACT IS IDENTIFIED BY THE LETTER "A" STAMPED ON THE RECEPTACLE BOX.
- 4 OBSOLETE PARTS: OBSOLETE CIS STREAMLINING PER D.RENAUD/D.SINISI



OBSOLETE 4	3.120	2.964	20	-2-87985-0
	2.964	2.808	19	-1-87985-9
	2.808	2.652	18	-1-87985-8
	2.652	2.496	17	-1-87985-7
	2.496	2.340	16	-1-87985-6
OBSOLETE 4	2.340	2.184	15	1-87985-5
	2.184	2.028	14	-1-87985-4
OBSOLETE 4	2.028	1.872	13	-1-87985-3
	1.872	1.716	12	1-87985-2
OBSOLETE 4	1.716	1.560	11	-1-87985-1
	1.560	1.404	10	1-87985-0
OBSOLETE 4	1.404	1.248	9	-87985-9
	1.248	1.092	8	87985-8
OBSOLETE 4	1.092	.936	7	-87985-7
	.936	.780	6	-87985-6
OBSOLETE 4	.780	.624	5	87985-5
	.624	.468	4	87985-4
OBSOLETE 4	.468	.312	3	-87985-3
	.312	.156	2	-87985-2
	B	A	NO OF POSN	ASSEMBLY PART NUMBER

THIS DRAWING IS A CONTROLLED DOCUMENT.

DWN L D RINGLEY 17MAR86
 CHK P C DEJONG 18MAR86
 APVD P C DEJONG 18MAR86

TE Connectivity

NAME ASY, MOD I, BRD MNT REC, .156CL, STD PRESSURE, TYPE B

PRODUCT SPEC 108-25016
 APPLICATION SPEC 114-25004

SIZE A2 CAGE CODE 00779 C=87985 DRAWING NO 114-25004 RESTRICTED TO -

MATERIAL HOUSING-FLAME RETARDANT THERMOPLASTIC, COLOR-BLACK CONTACTS: PHOS BRONZE
 FINISH CONTACTS: .000079 MIN TIN.

WEIGHT CUSTOMER DRAWING SCALE 4:1 SHEET 1 OF 1 REV K2