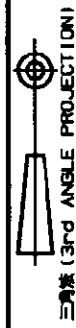
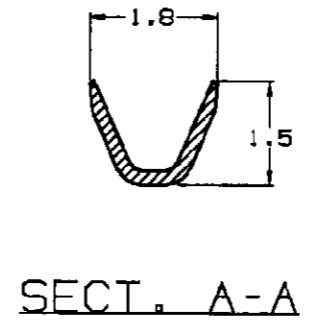
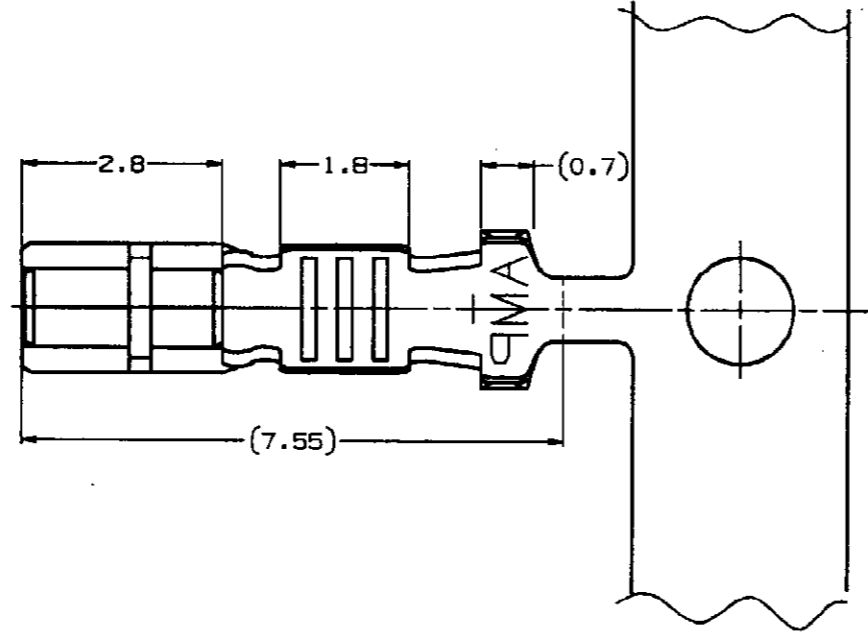
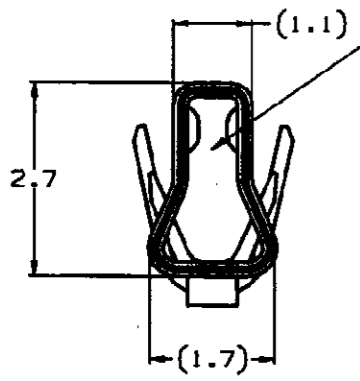


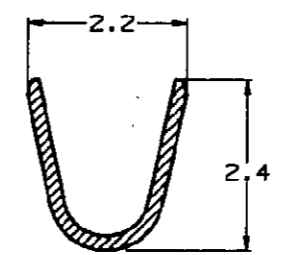
NUMBER C-917684  
METRIC



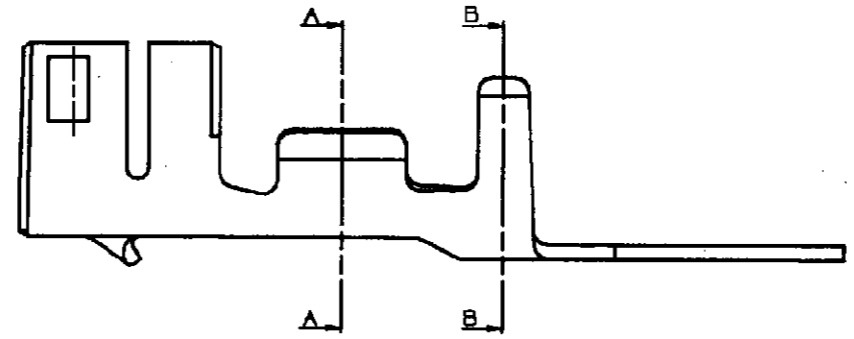
MATE 0.64SQ. POST  
0.64角ポストと嵌合



SECT. A-A



SECT. B-B



- 注 記:
1. 使用ハウジング型番; 917686/917697
  2. 製品規格; 108-5459
  3. 取付適用規格; 114-5203

- NOTES:
1. USE HOUSING P/N 917686/917697
  2. PRODUCT SPEC. ; 108-5459
  3. APPLICATION SPEC. ; 114-5203

PRINT DIST  
単位: 全 DIMENSIONS IN MM. DO NOT SCALE PRINT

OBSOLETED	MAKE FROM 1318561-1, PRE GOLD PLATING	5-917684-1
	PRE TINNED PHOSPHOR BRONZE (0.2t) 鍍めつきリン青銅 (板厚0.2)	C-917684-1
	MATERIAL & FINISH 材質及び仕上げ	PART NO. 型番



適合電線断面 (WIRE RANGE) 0.12 - 0.35mm <sup>2</sup> (AWG#28-#22)	被覆外径 (INSULATION DIA.) 0.93 - 1.5 mmφ	名称 (NAME) 2.5mm シグナルダブルロック リセブタクル コンタクト (M) 2.5mm SIGNAL DBL-LOCK REC. CONT.
材質 (MATERIAL) 表参照	仕上 (FINISH) 表参照	一般公差 (GENERAL TOLERANCE) 10MM ± 0.2 10MM 30MM ± 0.25 30MM 100MM ± 0.3 角度 ± 3°
A2 REVISED PER ECR-20-002217 SM DZ 28FEB 2020	DR. 28 MAY '95 Y. NOGUCHI DE. 28 MAY '95 Y. NOGUCHI	LOC B J 番番 (No.) C-917684
A1 REVISED PER ECO-11-005140 RK HMR 01APR 11	CHK. 28 MAY '95 Y. KASHIWA APP. 28 MAY '95 Y. KASHIWA	尺 (SCALE) 10-1 REV. A2 SHEET 1 OF 1

A2	REVISED PER ECR-20-002217	SM	DZ	28FEB 2020
A1	REVISED PER ECO-11-005140	RK	HMR	01APR 11
LTR	変更 (REVISION RECORD)	DR	CHK	DATE

(CUSTOMER DRAWING) 参考図面