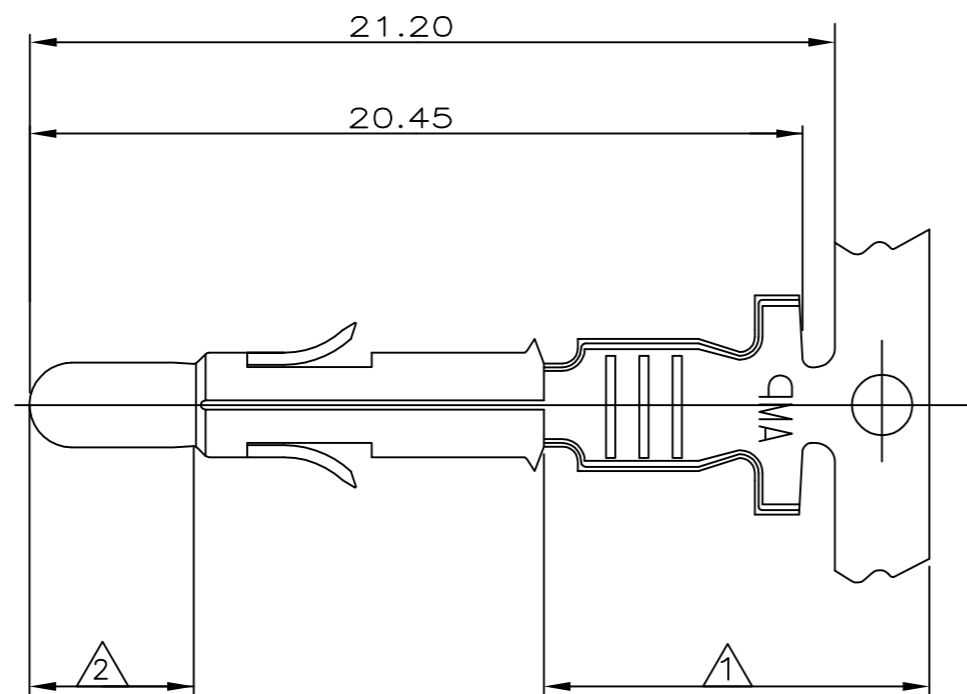
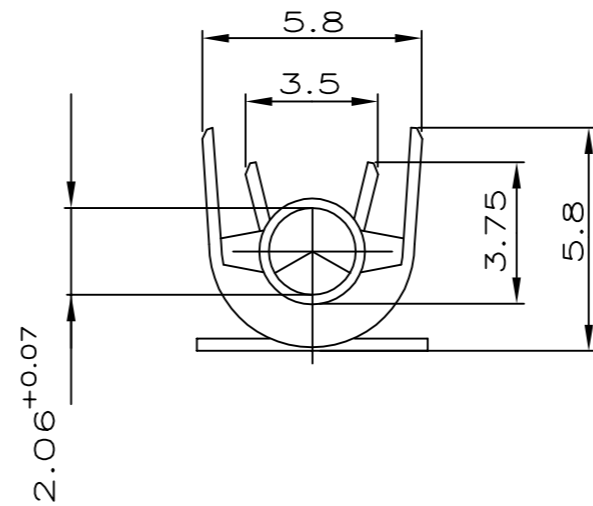
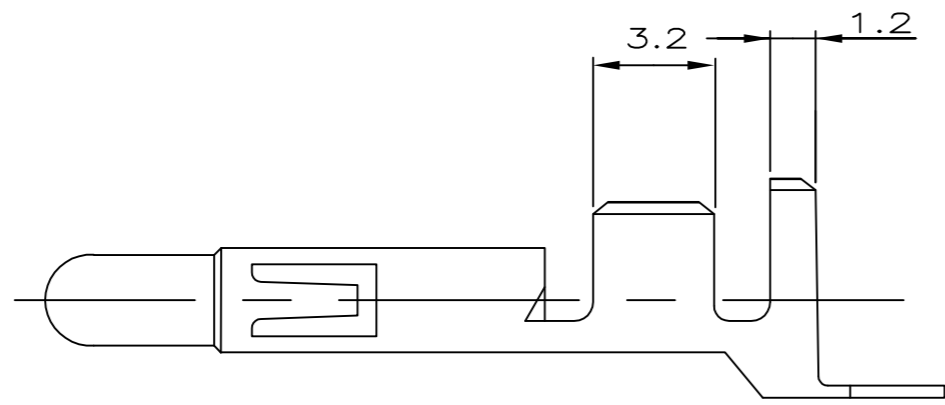


THIS DRAWING IS UNPUBLISHED. RELEASED FOR PUBLICATION
 © COPYRIGHT - By - ALL RIGHTS RESERVED.

REVISIONS					
P	LTR	DESCRIPTION	DATE	DWN	APVD
G2		REVISED PER ECR-17-013854	22SEP2017	BDA	KR



- 1 2-6 µm Sn über Ni in der Crimpzone
- 2 0.8 µm Gold über Nickel in der kontaktzone
- 3 Für isolations Ø3.3-5.1 mm geeignet

	926900-7	926868-7	CuZn30 F53	1 2
	926900-6	926868-6	CuSn4 F56	1 2
OBSOLETE	926900-5	926868-5	CuCrZr F50	vorverzinnt
OBSOLETE	926900-4	926868-4	CuCrZr F50	blank
	926900-3	926868-3	CuSn4 F56	vorverzinnt
	926900-1	926868-1	CuZn30 F53	vorverzinnt
	LOOSE PIECE	Bestell-Nr	werkstoff	Oberfläche Farbe

THIS DRAWING IS A CONTROLLED DOCUMENT.		DWN	21OCT2013		
		CHK	21OCT2013		
		APVD	21OCT2013		
		PRODUCT SPEC	RAJENDRA PAI		
DIMENSIONS: mm		TOLERANCES UNLESS OTHERWISE SPECIFIED:		NAME	
		0 PLC	± -	Universal M-N-L Stift	
		1 PLC	± -	DGB 1.5-2.5mm ²	
		2 PLC	± 0.20	SIZE	A2
		3 PLC	± -	CAGE CODE	00779
		4 PLC	± -	DRAWING NO	C=926868
		ANGLES	± -	RESTRICTED TO	-
MATERIAL		FINISH	-	SCALE	1:1
				SHEET	1 of 1
CUSTOMER DRAWING				REV	G2