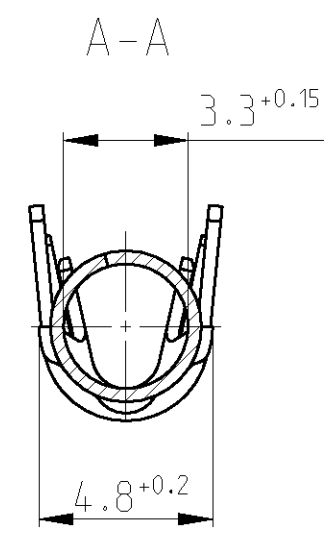
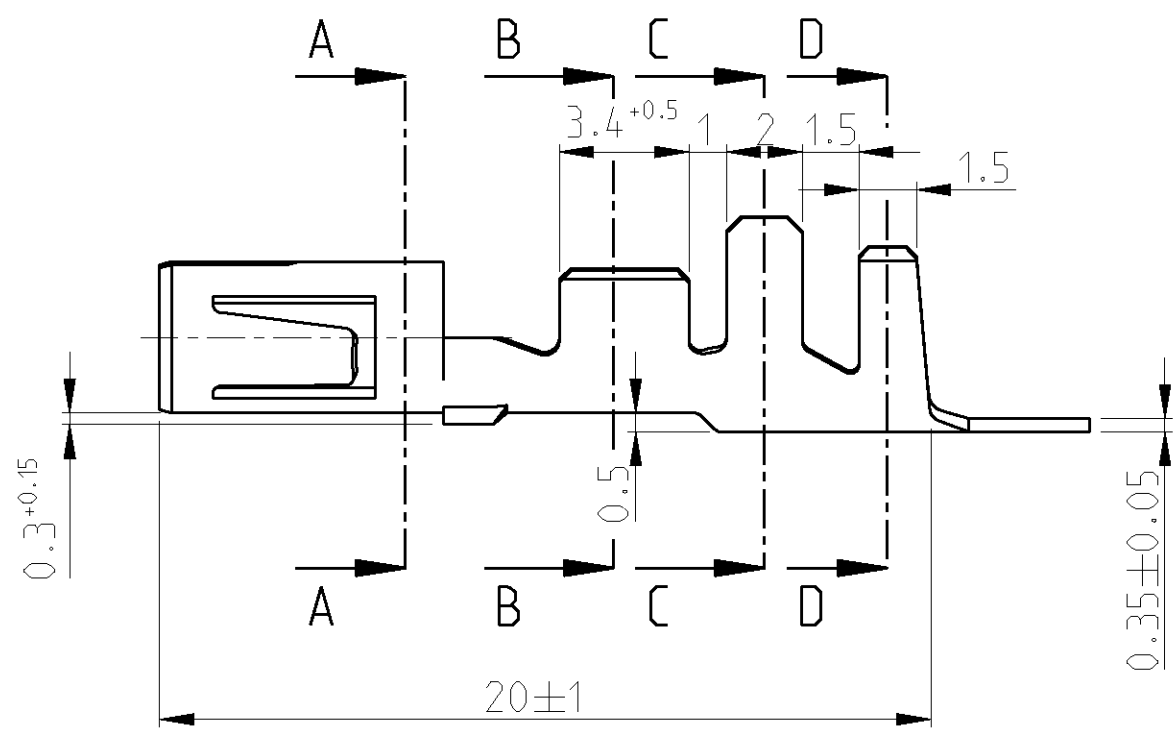
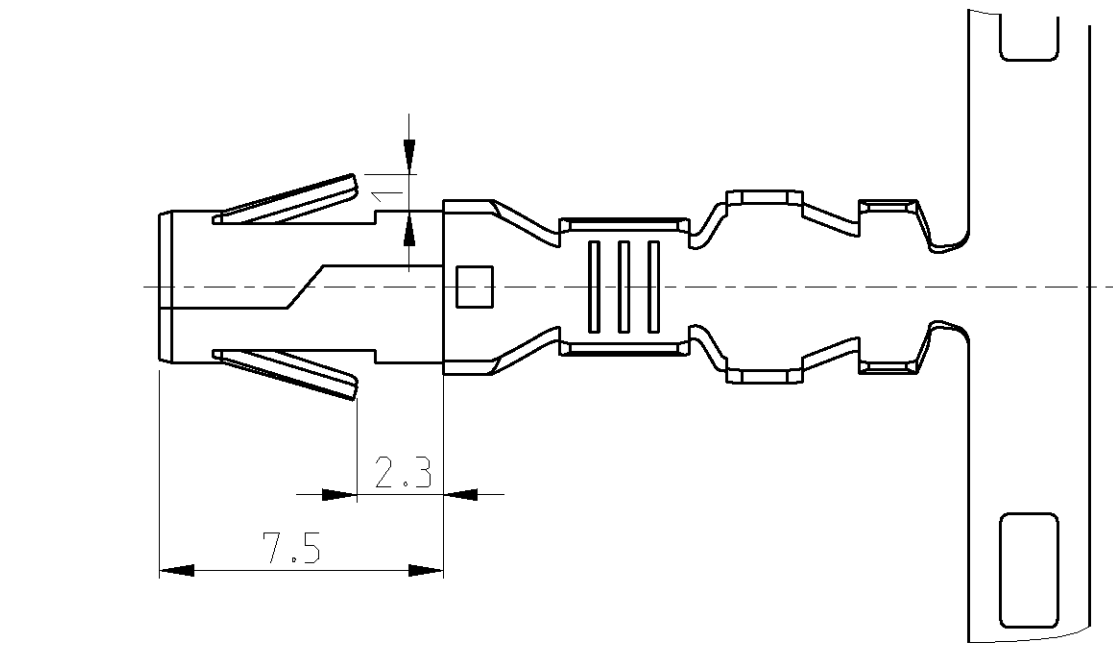
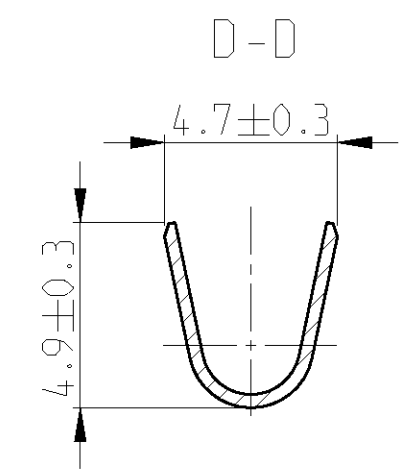
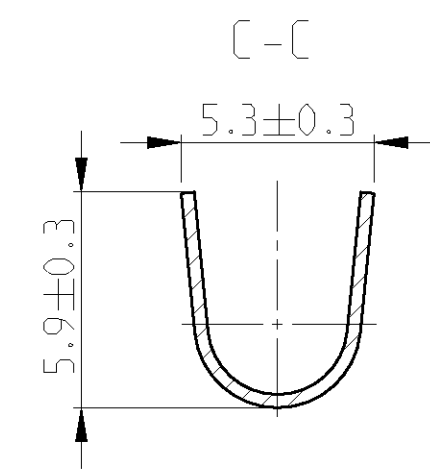
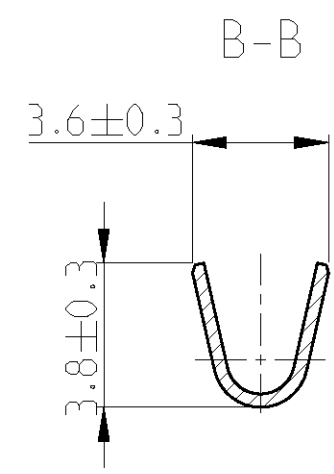


THIS DRAWING IS UNPUBLISHED. RELEASED FOR PUBLICATION 2003  
 © COPYRIGHT - TE Connectivity ALL RIGHTS RESERVED.

LOC	DIST	REVISIONS			
P	LTR	DESCRIPTION	DATE	DWN	APVD
GT	-				
	C	SEE ECN EVA0-0023-05	04MAY2005	RVL	MBL
	C1	REVISED PER ECO-09-026495	02FEB10	KK	HMR
	<b>C2</b>	<b>ECR-10-026307</b>	<b>12FEB11</b>	<b>KK</b>	<b>HMR</b>
	C3	REVISED PER ECR-17-006577	18MAY17	JB	DZ



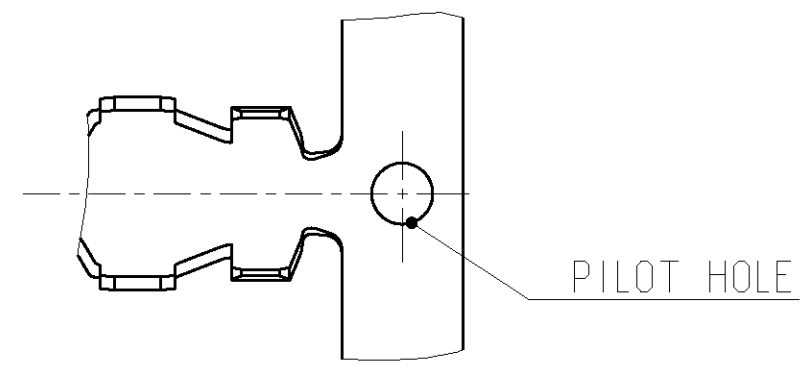
⚠️ OBSOLETE PARTS: OBSOLETE CIS STREAMLINING PER D.RENAUD/D.SINISI



0- -1,2,3,4 AS SHOWN wie gezeichnet

OBSOLETE	FINISH	MATERIAL	PART NUMBER
4-927861-2	PRE TIN	CuSn4	⚠️ 1-927860-2
0-927861-4	SILVERPLATED	CuSn4	0-927860-4
0-927861-3	PLAIN	CuSn4	0-927860-3
<del>0-927861-2</del>	PRE TIN	CuSn4	0-927860-2
<del>0-927861-1</del>	PRE TIN	CuZn30	<del>0-927860-1</del>
	LOOSE PIECE (REF)	FINISH	MATERIAL

⚠️ 1- -2 AS SHOWN wie gezeichnet



THIS DRAWING IS A CONTROLLED DOCUMENT FOR TYCO ELECTRONICS CORPORATION IT IS SUBJECT TO CHANGE AND THE CONTROLLING ENGINEERING ORGANIZATION SHOULD BE CONTACTED FOR THE LATEST REVISION.

DWN J.SKODA 02MAR2005  
 CHK R.VLCEK 02MAR2005  
 APVD M.BLFICHER 02MAR2005

**TE** TE Connectivity

NAME .140 DIA SOCKET  
.140 Dia Buchse

DIMENSIONS: mm TOLERANCES UNLESS OTHERWISE SPECIFIED:  
 0 PLC ±0.2  
 1 PLC ±0.2  
 2 PLC ±  
 3 PLC ±  
 4 PLC ±  
 ANGLES ±1°30'

MATERIAL - FINISH -

PRODUCT SPEC 108-1032  
 APPLICATION SPEC 114-1007  
 WEIGHT -

SIZE A3 CAGE CODE 00779 DRAWING NO C-927860 RESTRICTED TO -

CUSTOMER DRAWING SCALE 5:1 SHEET 1 OF 1 REV C3