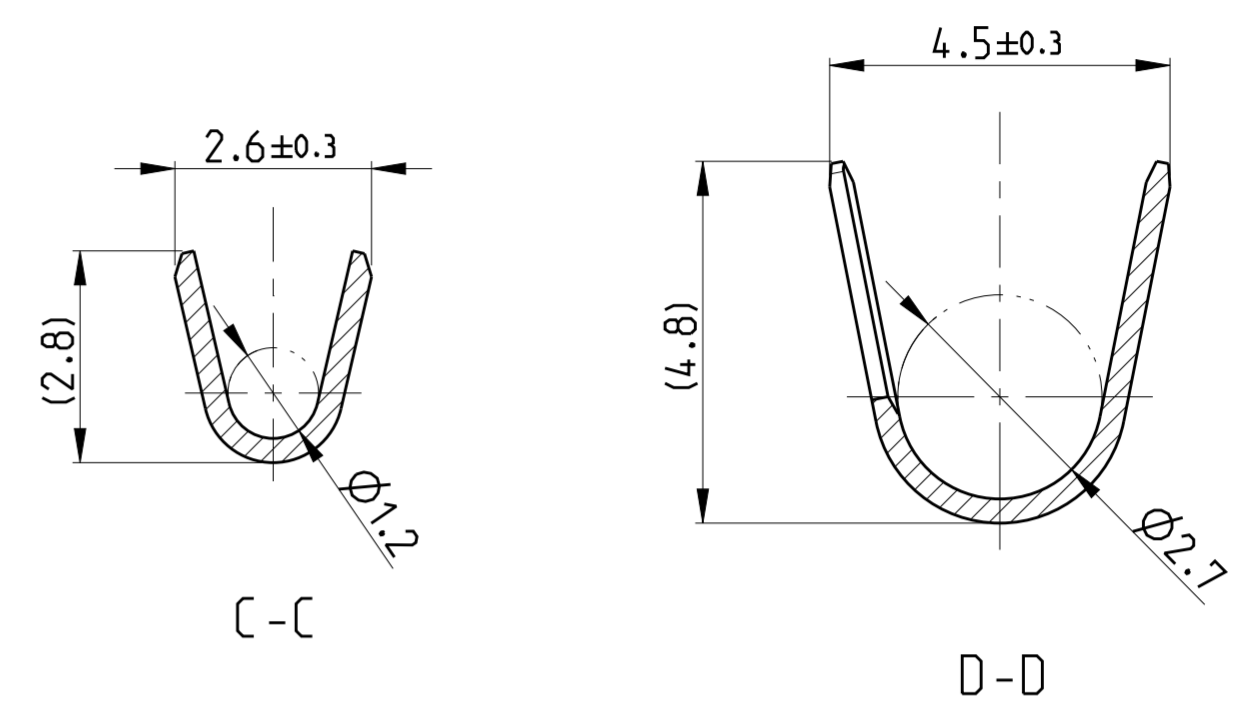
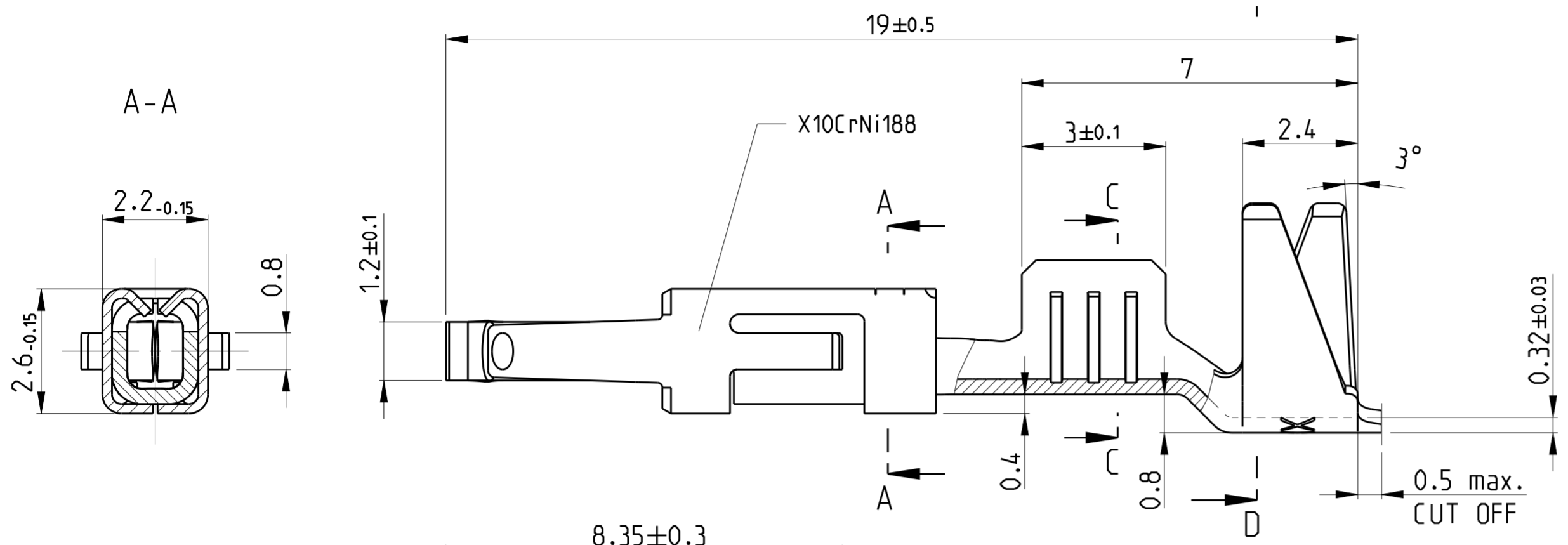


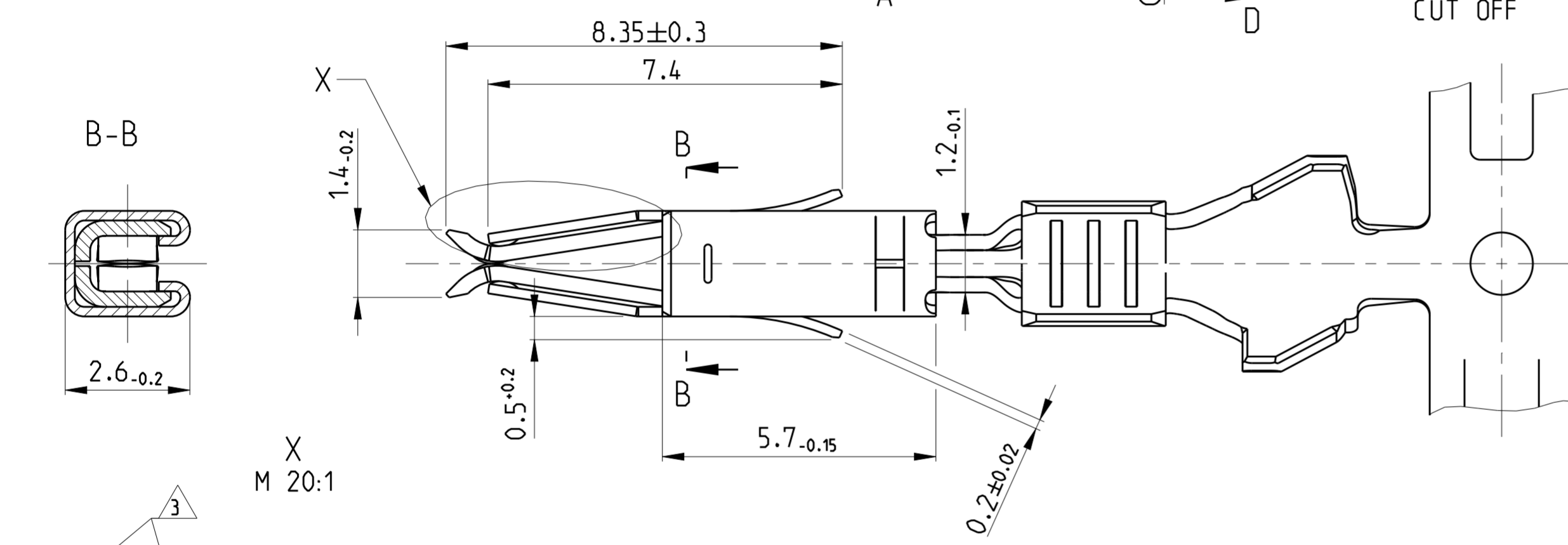
THIS DRAWING IS UNPUBLISHED. RELEASED FOR PUBLICATION 2008
 © COPYRIGHT 2008 ALL RIGHTS RESERVED.

LOC		DIST		REVISIONS			
P	LTR	DESCRIPTION	DATE	DWN	APVD		
A1	-						
N3		NEW VERISON OF GOLD CONTACTS PRERMITTED.	18MAY2011	Kirs	Mair		
N4		OPTIONAL to note 8 TTD added. (area A3)	29JUN2011	Kirs	Mair		
N5		PRODUCT SPEC CORRECTED	23JUN2014	Ho.	Eder		
N6		ECR-15-012070	13AUG2015	JB.JH	BK		

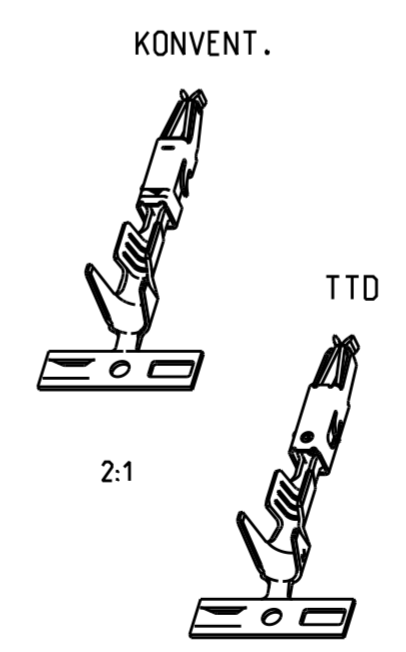
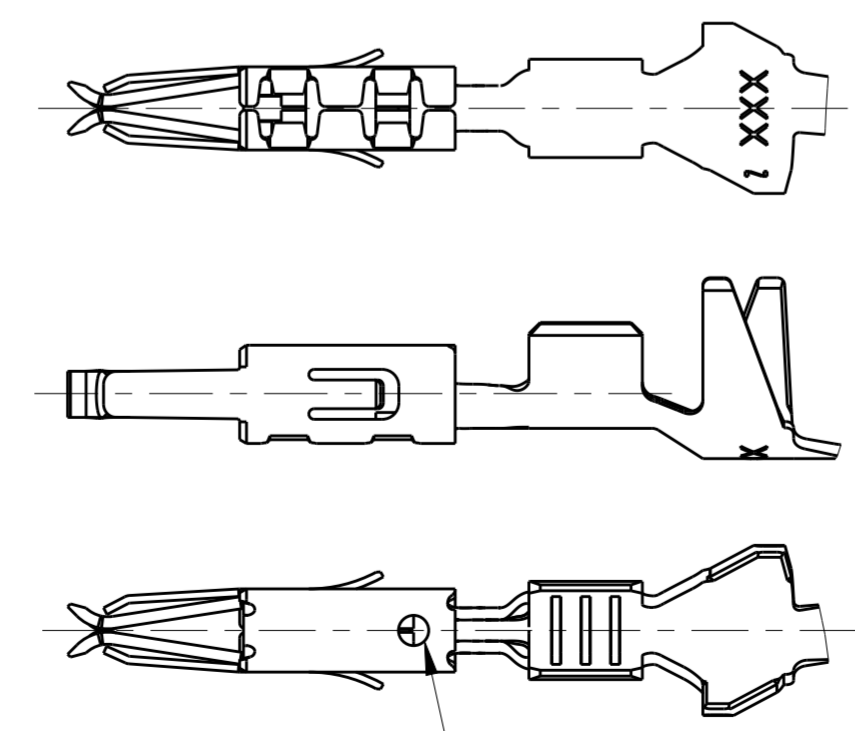
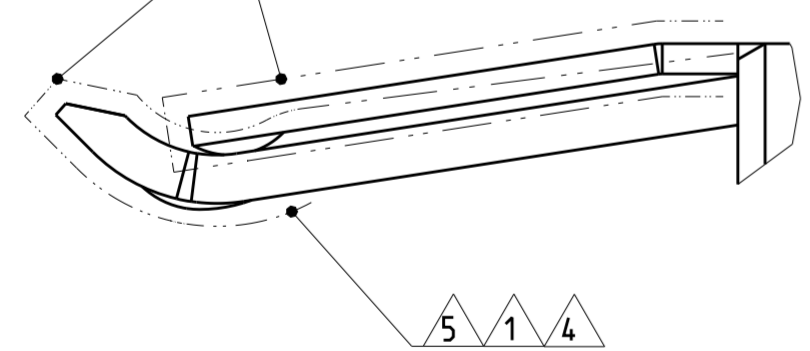
7 KONVENTIONELL



- 1 SELECTIVE GOLD PLATED MIN. 0.8 µm OVER NI
selektiv vergoldet 0.8 µm ueber Ni
- 2 TIN PLATED MIN. 0.2 µm OVER NI
verzinkt 0.2 µm ueber Ni
- 3 CONTACT SURFACE SEL. GOLD PLATED MIN. 0.8 µm OVER NI
CANTILEVER SPRING COMPLETELY GOLD PLATED ON BOTH SIDES
sel. vergoldet auf der Kontaktobenseite 0.8 µm min. ueber Ni
Ueberfeder komplett auf beiden Seiten vergoldet
- 4 GAL. TIN PLATED MIN. 1.0 µm OVER NI
gal. verzinkt 1.0 µm ueber Ni
- 5 SELECTIVE GOLD PLATED MIN. 1.27 µm OVER NI
selektiv vergoldet 1.27 µm min. ueber Ni
- 6 WIRE RANGE : 0.5 - 1.0 mm²
INSULATION-Ø: 2.8 mm (SINGLE WIRE SEAL)
Drahtgroessenbereich: 0.5 - 1.0 mm²
Isolations-Ø: 2.8 mm (Einzeldichtung)



8 TWO TRACK DIE
M 5:1



VERSION	SURFACE / Oberflaeche	MATERIAL	PART NO	REV
8 7	5 2	CuFe2	962876-7	B
8 7	3 4 2	CuSn4	962876-6	N
8 7	1 2	CuFe2	962876-5	N
8 7	1 2	CuSn4	962876-3	N
8	PRETIN / vorverzinkt	CuFe2	962876-2	N
8	PRETIN / vorverzinkt	CuSn4	962876-1	N

THIS DRAWING IS A CONTROLLED DOCUMENT.

DIMENSIONS: mm	TOLERANCES UNLESS OTHERWISE SPECIFIED:	DWN R.Hofer 05-JAN-89	CHK L.Nix 05-APR-89	APVD M.Bleicher 25-JUN-08
0-PLC ±0.2	1-PLC ±0.2	2-PLC ±0.2	3-PLC ±0.2	4-PLC ±0.2
ANGLES ±2°	FINISH	PRODUCT SPEC 108-18055	APPLICATION SPEC 114-18081	WEIGHT 0.3 g
MATERIAL		Customer Drawing	SCALE 10:1	SHEET 1 OF 1

STE TE Connectivity

MICRO TIMER 2 CONTACT WITH DOUBLE LOCKING LANCE mit doppelter Rastfeder

SIZE A2 CAGE CODE 00779 DRAWING NO G-962876 RESTRICTED TO -

REV N6