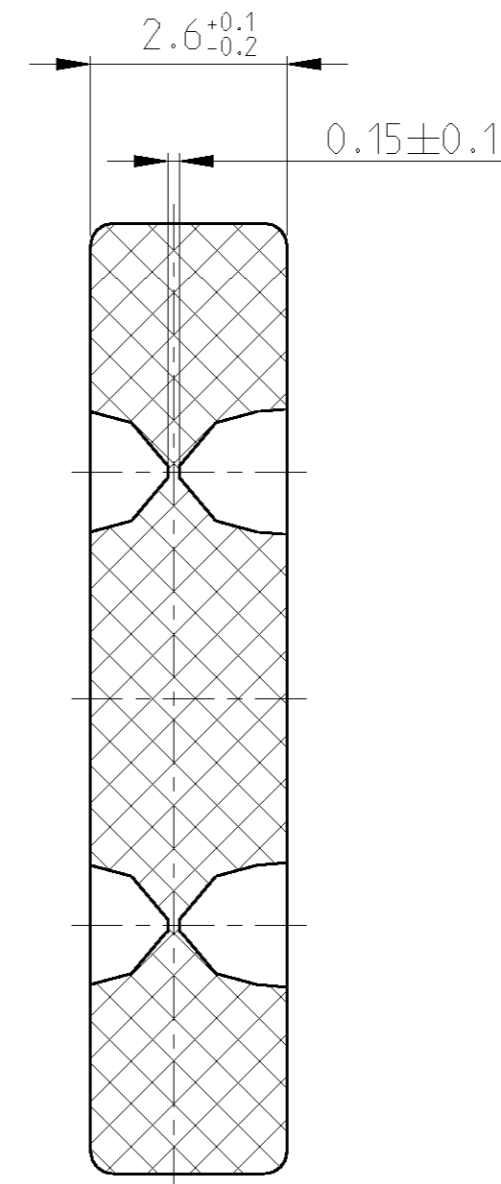
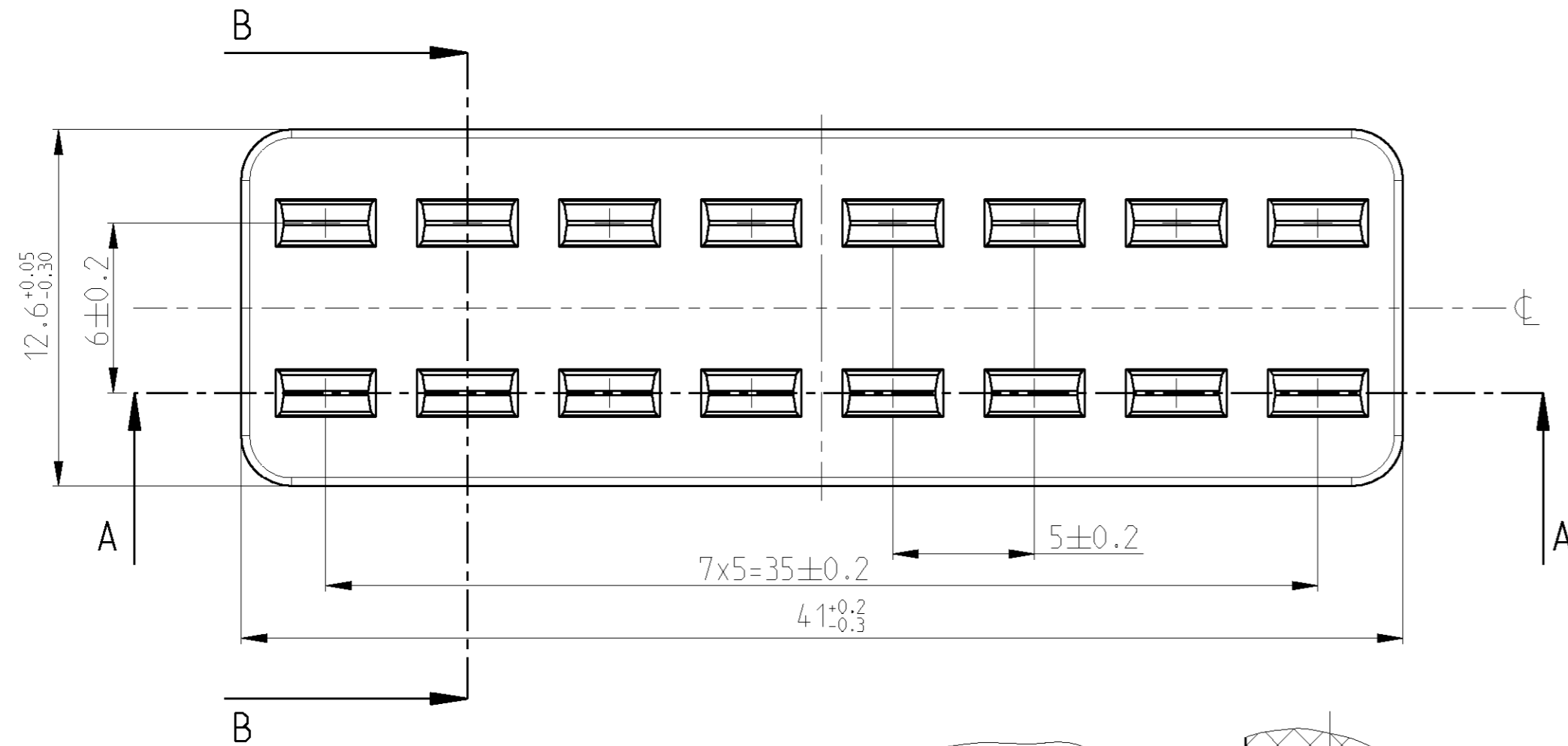
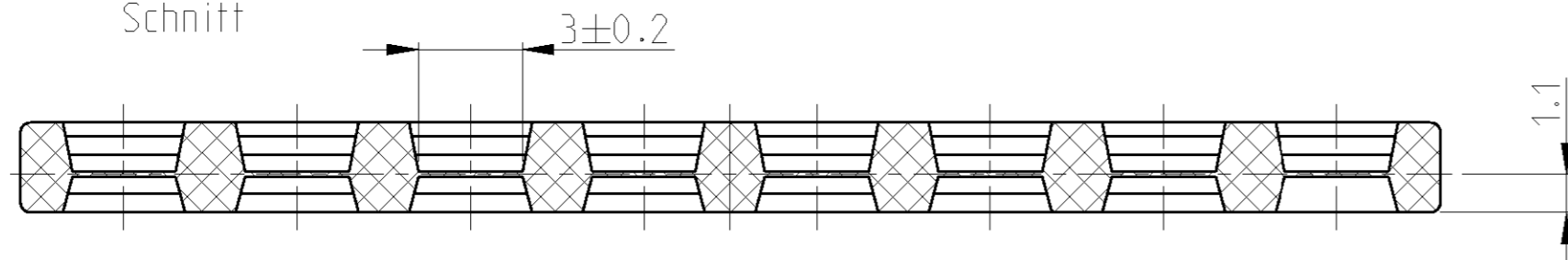


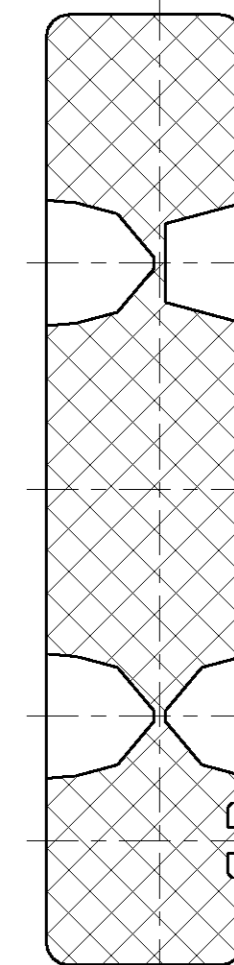
USE WITH 963215 / Verwendet für 963215

LOC	DIST	REVISIONS					
		P	LTR	DESCRIPTION	DATE	DWN	APVD
A1	-	B1		Neues Format (war DIN A4)	11.05.93	Garcia	-
		B2		Zeichnung überarbeitet	16.06.94	Kress	-
		C		SEE PCN EGO0-0094-03 (REV. CHANGE)	14JAN2003	Richt.	-
		D		SEE PCN EGA0-1960-04	31AUG2004	SKH	T.K.

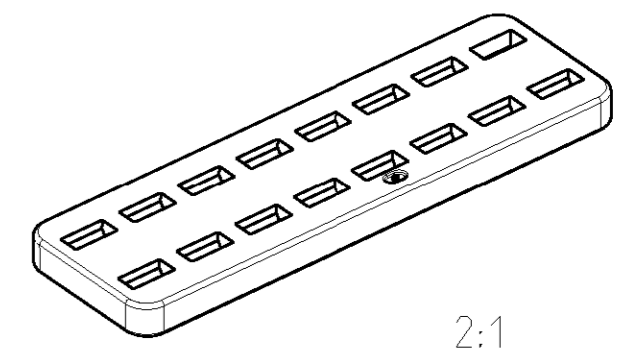
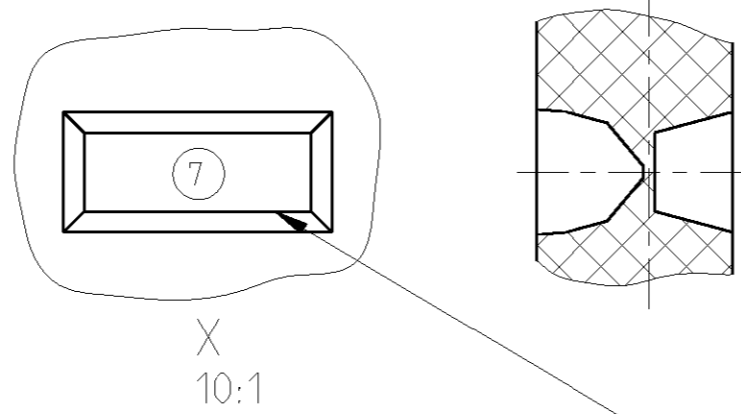
SECTION A-A
Schnitt



SECTION B-B
Schnitt
10:1



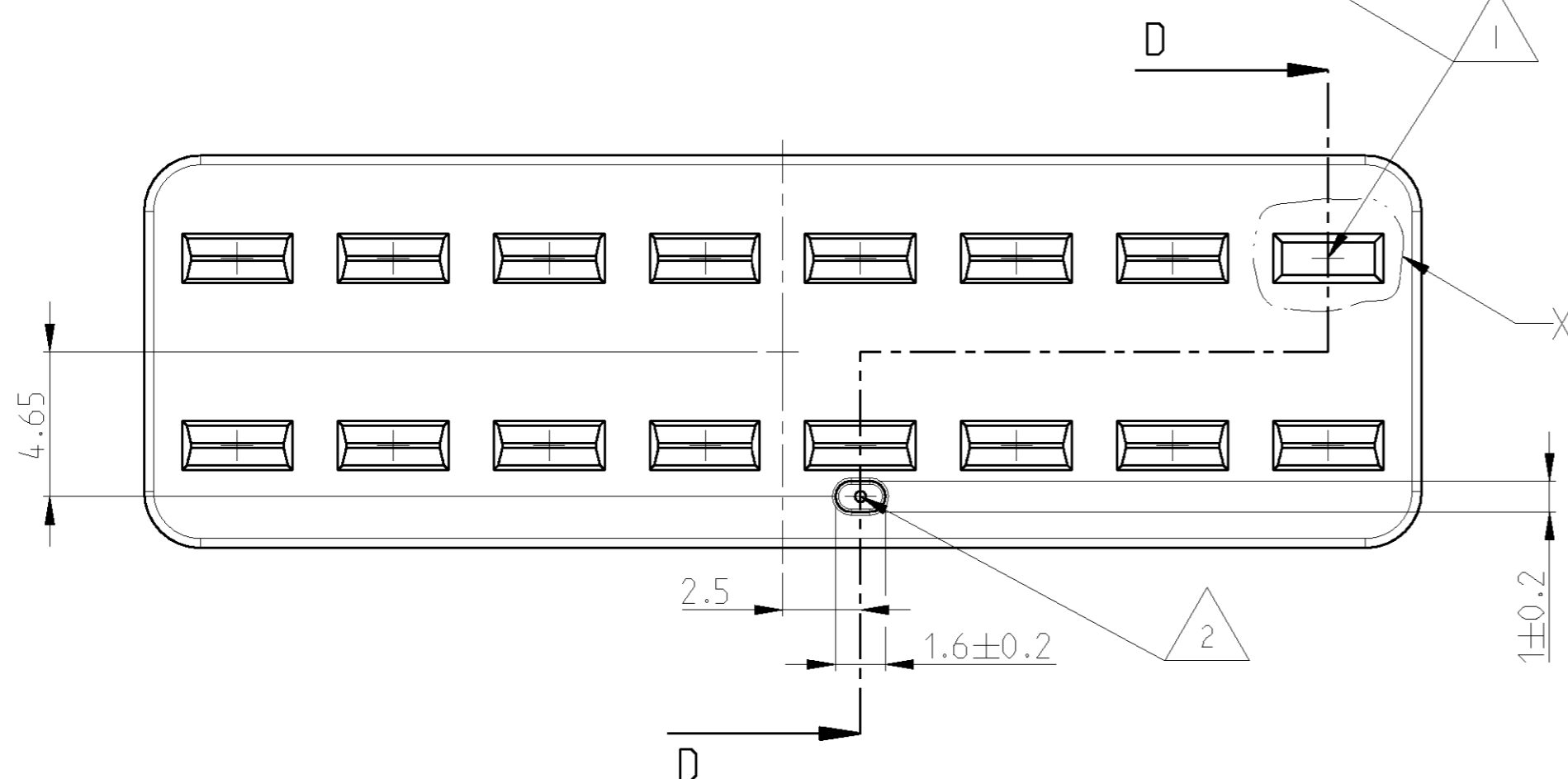
SECTION D-D
Schnitt
10:1



2:1

NOTES
Bemerkungen

- 1 CAVITY MARKING RAISED, OPTIONAL IN ONE OF THE WINDOWS
Nestmarkierung erhaben, wahlweise in einem Fenster
- 2 GATE AREA SUNK, GATEMARK MUST NOT GET THROUGH OUTER GEOMETRY
Angußbereich vertief, Anguß darf nicht aus der äußeren Geometrie überstehen



963216-1	D	1.29	SILICON	SEAL	NATUR	1
PART NO	REV	WEIGHT [g]	MATERIAL	DESCRIPTION	COLOUR	ITEM
DWN S. Kann-Henzel 31AUG2004 CHK T. Kilian 15SEP2004 APVD - PRODUCT SPEC 108-18102 APPLICATION SPEC 114-18175 WEIGHT - MATERIAL -			tyco Electronics tyco Electronics AMP GmbH D - 64625 Bensheim NAME SEAL FOR 16POS. JPT CONNECTOR SIZE A2 CAGE CODE 00779 DRAWING NO. 963216 RESTRICTED TO - SCALE 5:1 SHEET 1 OF 1 REV D			
THIS DRAWING IS A CONTROLLED DOCUMENT FOR TYCO ELECTRONICS CORPORATION IT IS SUBJECT TO CHANGE AND THE CONTROLLING ENGINEERING ORGANIZATION SHOULD BE CONTACTED FOR THE LATEST REVISION.						