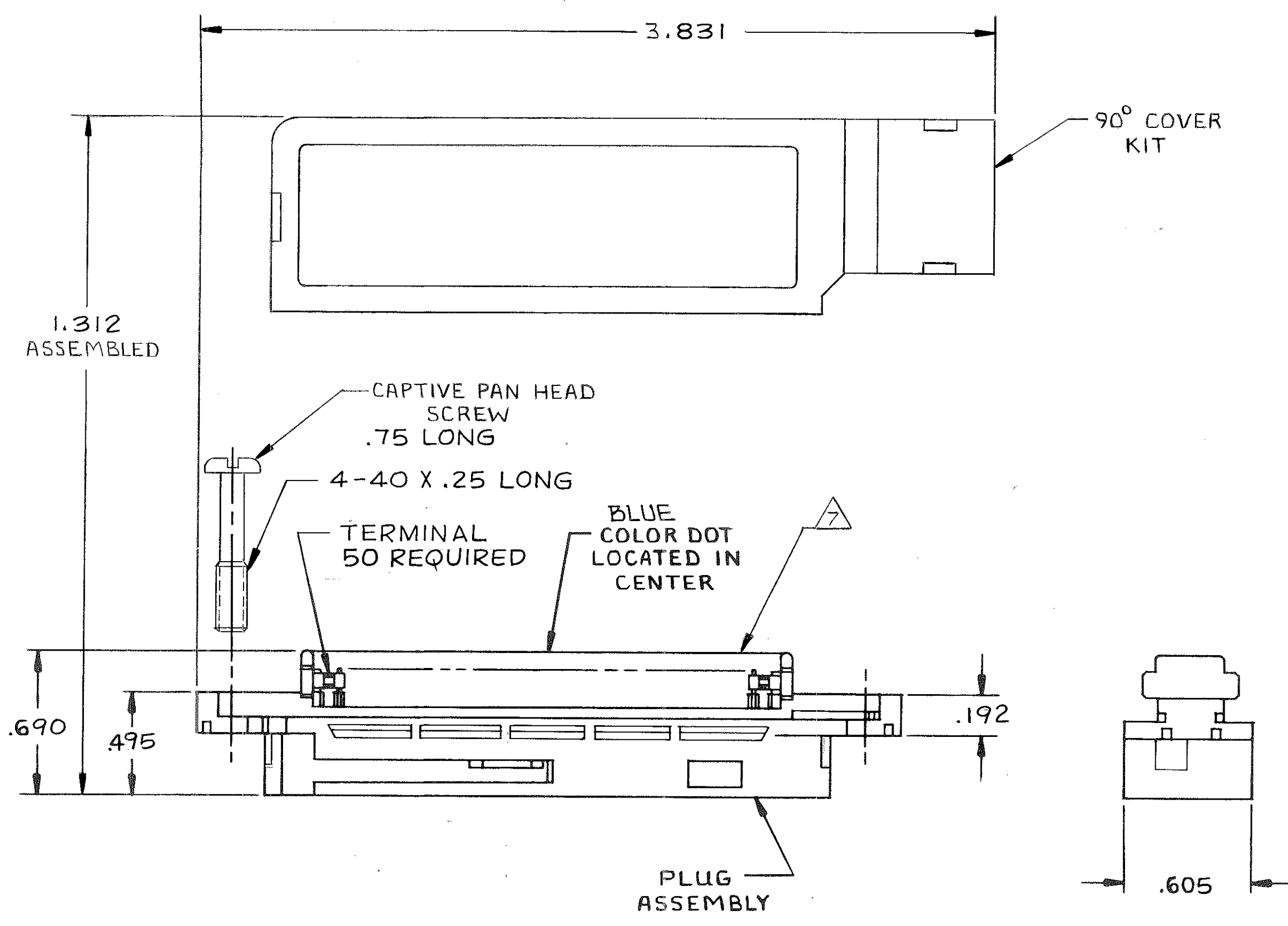
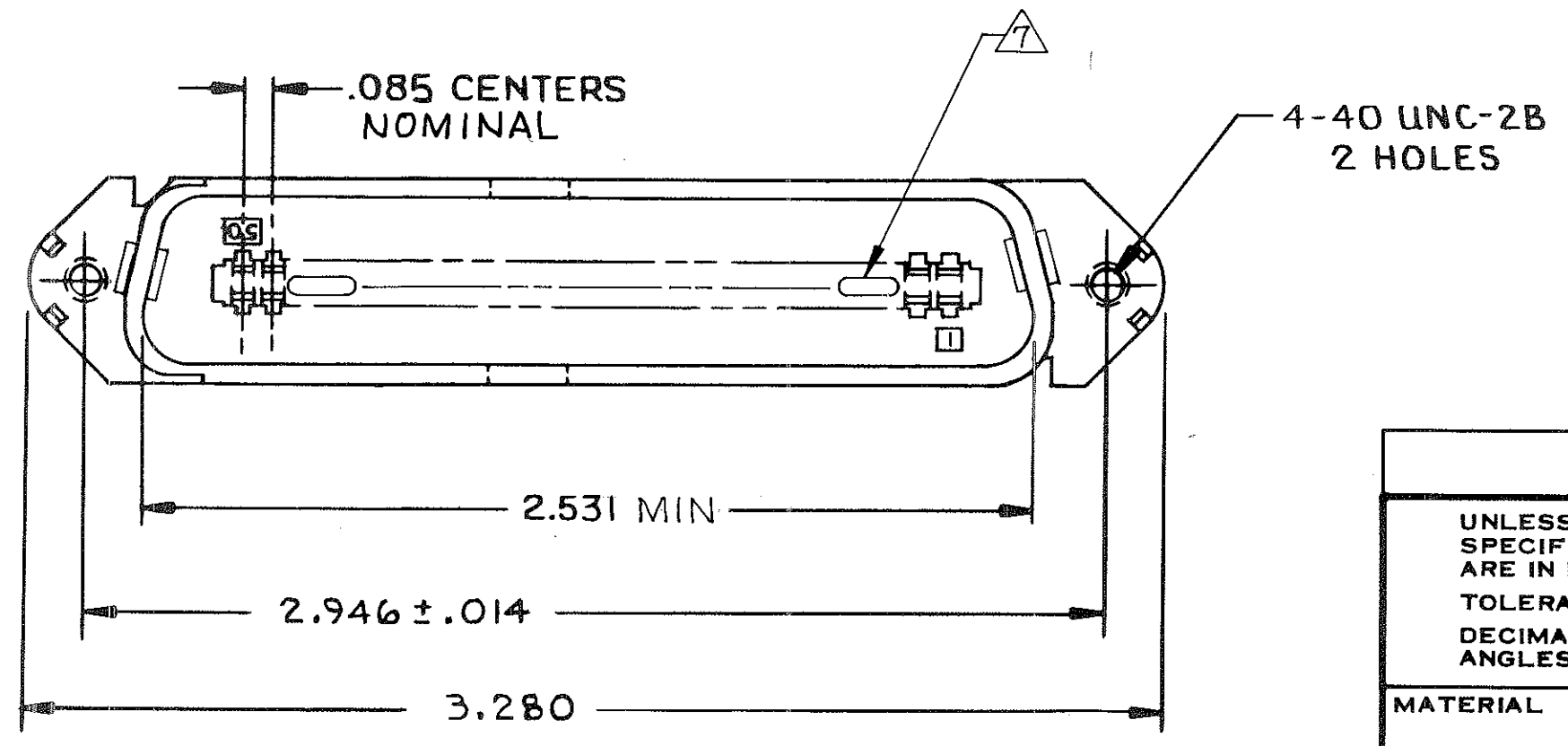


© COPYRIGHT 1974 BY AMP INCORPORATED, HARRISBURG, PA.
ALL INTERNATIONAL RIGHTS RESERVED. AMP INCORPORATED PRODUCTS
COVERED BY U. S. AND FOREIGN PATENTS AND/OR PATENTS PENDING.

REVISIONS						
P	F	ZONE	LTR	DESCRIPTION	DATE	APPROVED
			L	DBS-4; ECN AA-5371	1/4/89	TC
			M	REV; EC OUIE-0040-01	3-19-01	DD
						EB



1. THE CONTACT SURFACES OF THE TERMINALS ARE COATED WITH LUBRICANT.
 2. ALL DIMENSIONS SHOWN ARE MAXIMUM UNLESS OTHERWISE SPECIFIED.
 3. MATERIAL: HOUSING & COVERS - POLYPHENYLENE OXIDE.
TERMINALS - GOLD OVER NICKEL PLATED HIGH STRENGTH COPPER ALLOY.
HARDWARE - ZINC PLATED STEEL.
 4. COVER AND HARDWARE SHIPPED UNASSEMBLED.
 5. WIRE SIZE: 24 & 26 AWG SOLID & 24/7 STRAND COPPER CONDUCTORS.
MAX. INSULATION DIAMETER OF .045 IS ACCEPTABLE FOR MOST APPLICATIONS.
 6. CABLE RANGE: .415-.465 DIA.
- ⚠ CORING MAY OR MAY NOT APPEAR AND IS AT THE DISCRETION OF AMP INCORPORATED.



POLY BAGGED	BLACK	552259-1
PACKAGING	COLOR	PART NO

UNLESS OTHERWISE SPECIFIED DIMENSIONS ARE IN INCHES. TOLERANCES ON: DECIMALS ± ANGLES ±	CONTRACT NO	AMP INCORPORATED Harrisburg, Pa.	
	DR A. Holt 5-27-81		
	MATERIAL	CHK MD/juel 11-23-81	NAME PLUG KIT, 50 POSITION, B SLOT, SCREW LOCK W/90° COVER, CHAMP-LOK®
	FINISH	APPD S. Key 11/23/81 K. M. H. 11/23/81	SIZE CODE IDENT NO DRAWING NO C 00779 552259
	DSGN APPD	SCALE 2/1	SHEET 1 OF 1
	OTHER APPD		

552259