

THIS DRAWING IS UNPUBLISHED.

RELEASED FOR PUBLICATION

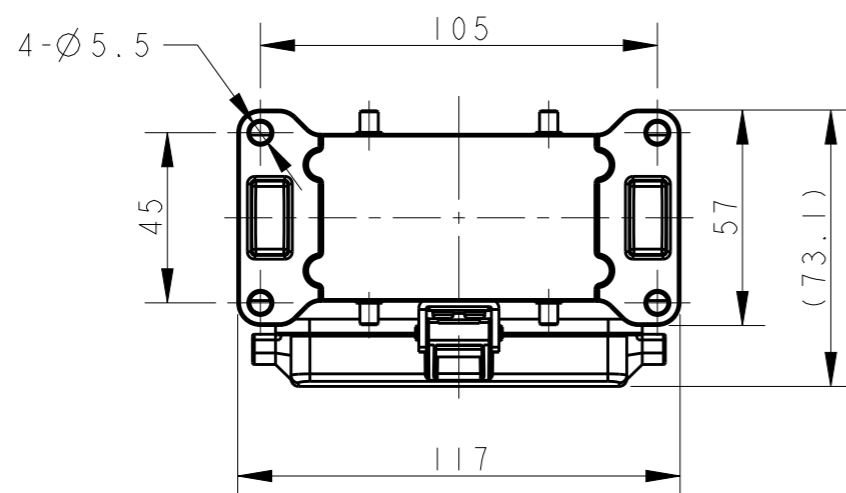
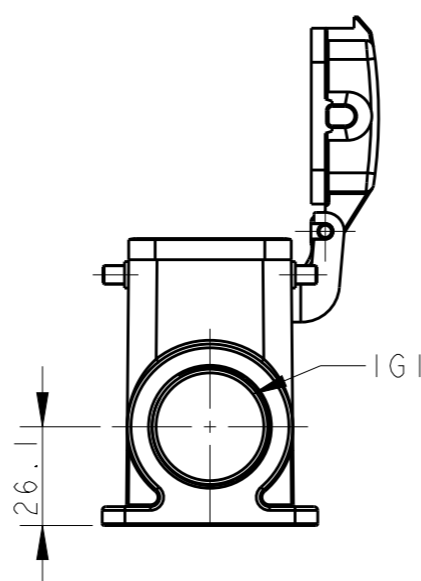
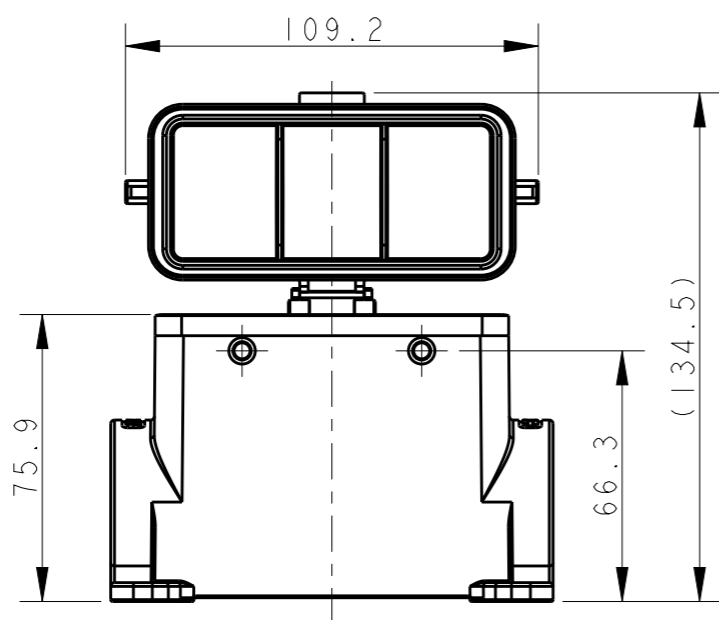
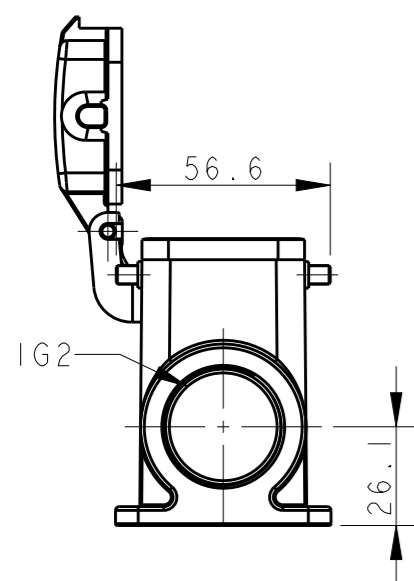
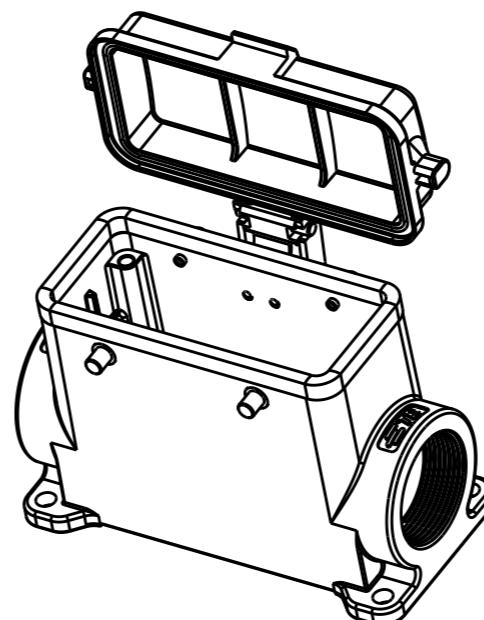
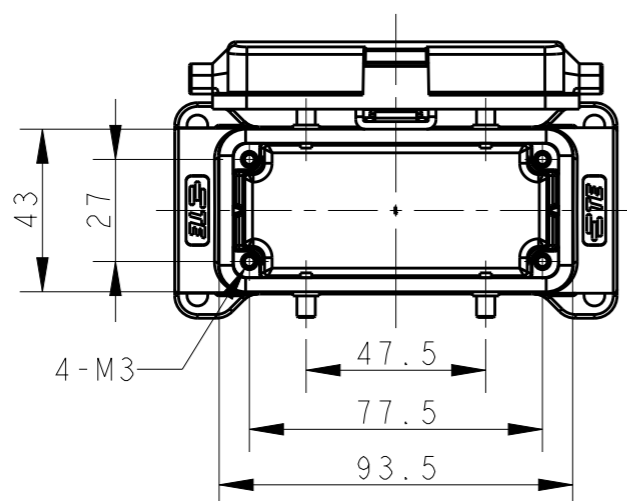
20

© COPYRIGHT 20 BY -

ALL RIGHTS RESERVED.

REVISIONS


P	LTR	DESCRIPTION	DATE	DWN	APVD
	A	INITIAL RELEASE	23JUN2015	DL	CW
	AI	ECR-18-009192	17SEP2018	YC	CW



NOTES:  
 1. TECHNICAL CHARACTERISTICS:  
 BODY MATERIAL: DIE CAST ALUMINIUM ALLOY  
 SURFACE TREATMENT: POWDER-COATED, GRAY  
 DEGREE OF PROTECTION: IP65 (MATED)

注释:  
 1. 技术参数:  
 主体材料: 铝合金  
 表面处理: 粉末喷涂, 灰色  
 防护等级: IP65(配合)

TYPE I: HIGH BODY + PLASTIC PROTECTION COVER  
 类型 I: 高结构壳体+塑料固定保护盖

THIS DRAWING IS A CONTROLLED DOCUMENT.		DWN	DAVID LI	23JUN2015	 TE Connectivity NAME HI6B-SDRH-BO-PG/M	
DIMENSIONS: mm		CHK	CHRIS WANG	23JUN2015		
TOLERANCES UNLESS OTHERWISE SPECIFIED:		APVD	XU XIANG	23JUN2015		
0 PLC ±- 1 PLC ±- 2 PLC ±- 3 PLC ±- 4 PLC ±- ANGLES ±-		PRODUCT SPEC	108-137013			
MATERIAL	TBD	FINISH	-		APPLICATION SPEC	114-137013
		WEIGHT	-		SIZE	A3
		CUSTOMER DRAWING			CAGE CODE	-
					DRAWING NO	©-TI49016XXXX000
					RESTRICTED TO	
					SCALE	1:2
					SHEET	1 OF 3
					REV	AI

4

3

2

1

THIS DRAWING IS UNPUBLISHED.

RELEASED FOR PUBLICATION

20

© COPYRIGHT 20

BY -

ALL RIGHTS RESERVED.

REVISIONS

P	LTR	DESCRIPTION	DATE	DWN	APVD
	-	SEE SHEET 1	-	-	-

NOTES:

SEE SHEET 1.

注释:

见 SHEET 1.

TYPE 2: HIGH BODY + METAL PROTECTION COVER

OTHER SPEC REFER TO TYPE 1

 类型 2: 高结构壳体+金属固定保护盖  
 未注尺寸参照类型 1

THIS DRAWING IS A CONTROLLED DOCUMENT.

DIMENSIONS:

mm

MATERIAL  
TBDTOLERANCES UNLESS  
OTHERWISE SPECIFIED:

0 PLC	±-
1 PLC	±-
2 PLC	±-
3 PLC	±-
4 PLC	±-
ANGLES	±-

FINISH

-

DWN 23JUN2015

DAVID LI

CHK 23JUN2015

CHRIS WANG

APVD 23JUN2015

XU XIANG

PRODUCT SPEC

108-137013

APPLICATION SPEC

114-137013

WEIGHT

-

CUSTOMER DRAWING

TE Connectivity

NAME

H16B-SDRHM-BO-PG/M

SIZE

A3

CAGE CODE

-

DRAWING NO

C-T149016XXXX000

RESTRICTED TO

SCALE 1:2

SHEET 2 OF 3


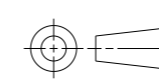
REV A1

1470-19 (3/13)

THIS DRAWING IS UNPUBLISHED. RELEASED FOR PUBLICATION 20  
 © COPYRIGHT 20 BY - ALL RIGHTS RESERVED.

REVISIONS					
P	LTR	DESCRIPTION	DATE	DWN	APVD
	-	SEE SHEET 1	-	-	-

T1490160121-000	HI6B-SDRH-BO-PG21	HI6B HOUSING, SURFACE MOUNTED, 4 EAR, PG21, HIGH CONSTRUCTION, PLASTIC PROTECTION COVER, POWDER COATED, GREY / HI6B下壳, 表面安装, 4耳, PG21, 高结构, 带塑料保护盖, 灰色粉末喷涂	PG21	-	TYPE 1 类型 1	
T1490160129-000	HI6B-SDRH-BO-PG29	HI6B HOUSING, SURFACE MOUNTED, 4 EAR, PG29, HIGH CONSTRUCTION, PLASTIC PROTECTION COVER, POWDER COATED, GREY / HI6B下壳, 表面安装, 4耳, PG29, 高结构, 带塑料保护盖, 灰色粉末喷涂	PG29	-		
T1490160125-000	HI6B-SDRH-BO-M25	HI6B HOUSING, SURFACE MOUNTED, 4 EAR, M25, HIGH CONSTRUCTION, PLASTIC PROTECTION COVER, POWDER COATED, GREY / HI6B下壳, 表面安装, 4耳, M25, 高结构, 带塑料保护盖, 灰色粉末喷涂	M25	-		
T1490160132-000	HI6B-SDRH-BO-M32	HI6B HOUSING, SURFACE MOUNTED, 4 EAR, M32, HIGH CONSTRUCTION, PLASTIC PROTECTION COVER, POWDER COATED, GREY / HI6B下壳, 表面安装, 4耳, M32, 高结构, 带塑料保护盖, 灰色粉末喷涂	M32	-		
T1490160221-000	HI6B-SDRH-BO-2PG21	HI6B HOUSING, SURFACE MOUNTED, 4 EAR, 2PG21, HIGH CONSTRUCTION, PLASTIC PROTECTION COVER, POWDER COATED, GREY / HI6B下壳, 表面安装, 4耳, 2PG21, 高结构, 带塑料保护盖, 灰色粉末喷涂	PG21	PG21		
T1490160229-000	HI6B-SDRH-BO-2PG29	HI6B HOUSING, SURFACE MOUNTED, 4 EAR, 2PG29, HIGH CONSTRUCTION, PLASTIC PROTECTION COVER, POWDER COATED, GREY / HI6B下壳, 表面安装, 4耳, 2PG29, 高结构, 带塑料保护盖, 灰色粉末喷涂	PG29	PG29		
T1490160225-000	HI6B-SDRH-BO-2M25	HI6B HOUSING, SURFACE MOUNTED, 4 EAR, 2M25, HIGH CONSTRUCTION, PLASTIC PROTECTION COVER, POWDER COATED, GREY / HI6B下壳, 表面安装, 4耳, 2M25, 高结构, 带塑料保护盖, 灰色粉末喷涂	M25	M25		
T1490160232-000	HI6B-SDRH-BO-2M32	HI6B HOUSING, SURFACE MOUNTED, 4 EAR, 2M32, HIGH CONSTRUCTION, PLASTIC PROTECTION COVER, POWDER COATED, GREY / HI6B下壳, 表面安装, 4耳, 2M32, 高结构, 带塑料保护盖, 灰色粉末喷涂	M32	M32		
T1490161121-000	HI6B-SDRHM-BO-PG21	HI6B HOUSING, SURFACE MOUNTED, 4 EAR, PG21, HIGH CONSTRUCTION, METAL PROTECTION COVER, POWDER COATED, GREY / HI6B下壳, 表面安装, 4耳, PG21, 高结构, 带金属保护盖, 灰色粉末喷涂	PG21	-	TYPE 2 类型 2	
T1490161129-000	HI6B-SDRHM-BO-PG29	HI6B HOUSING, SURFACE MOUNTED, 4 EAR, PG29, HIGH CONSTRUCTION, METAL PROTECTION COVER, POWDER COATED, GREY / HI6B下壳, 表面安装, 4耳, PG29, 高结构, 带金属保护盖, 灰色粉末喷涂	PG29	-		
T1490161132-000	HI6B-SDRHM-BO-M32	HI6B HOUSING, SURFACE MOUNTED, 4 EAR, M32, HIGH CONSTRUCTION, METAL PROTECTION COVER, POWDER COATED, GREY / HI6B下壳, 表面安装, 4耳, M32, 高结构, 带金属保护盖, 灰色粉末喷涂	M32	-		
T1490161221-000	HI6B-SDRHM-BO-2PG21	HI6B HOUSING, SURFACE MOUNTED, 4 EAR, 2PG21, HIGH CONSTRUCTION, METAL PROTECTION COVER, POWDER COATED, GREY / HI6B下壳, 表面安装, 4耳, 2PG21, 高结构, 带金属保护盖, 灰色粉末喷涂	PG21	PG21		
T1490161229-000	HI6B-SDRHM-BO-2PG29	HI6B HOUSING, SURFACE MOUNTED, 4 EAR, 2PG29, HIGH CONSTRUCTION, METAL PROTECTION COVER, POWDER COATED, GREY / HI6B下壳, 表面安装, 4耳, 2PG29, 高结构, 带金属保护盖, 灰色粉末喷涂	PG29	PG29		
T1490161232-000	HI6B-SDRHM-BO-2M32	HI6B HOUSING, SURFACE MOUNTED, 4 EAR, 2M32, HIGH CONSTRUCTION, METAL PROTECTION COVER, POWDER COATED, GREY / HI6B下壳, 表面安装, 4耳, 2M32, 高结构, 带金属保护盖, 灰色粉末喷涂	M32	M32		
PART NUMBER 料号	PART DESCRIPTION 描述			IG1	IG2	TYPE 类型

THIS DRAWING IS A CONTROLLED DOCUMENT.		DWN DAVID LI 23JUN2015	 TE Connectivity	
DIMENSIONS: mm		CHK CHRIS WANG 23JUN2015		
TOLERANCES UNLESS OTHERWISE SPECIFIED:		APVD XU XIANG 23JUN2015	NAME HI6B-SDRH-BO-PG/M	
		PRODUCT SPEC 108-137013	DRAWING NO	
MATERIAL TBD		FINISH -	RESTRICTED TO	
		APPLICATION SPEC 114-137013	SIZE A3	CAGE CODE -
		WEIGHT -	DRAWING NO C-TI49016XXXX000	
		CUSTOMER DRAWING	SCALE 1:2	SHEET 3 OF 3
			REV A1	