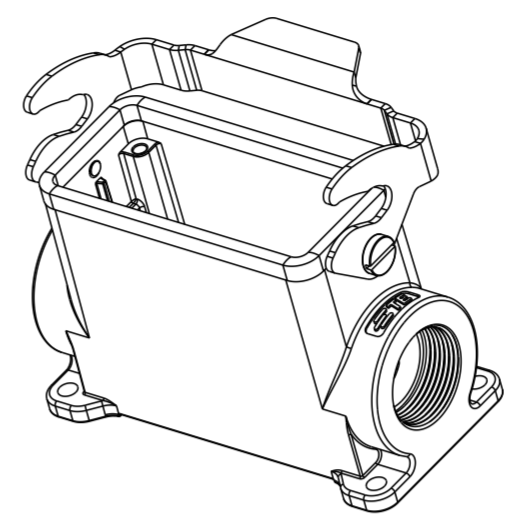
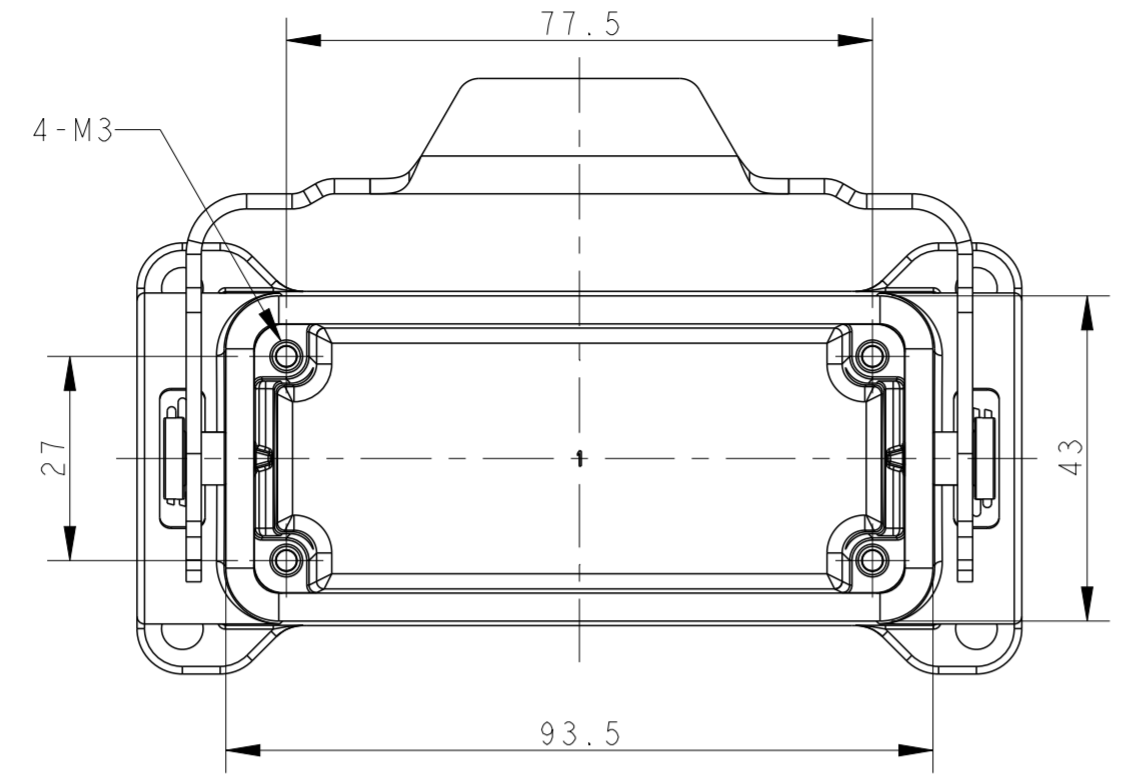


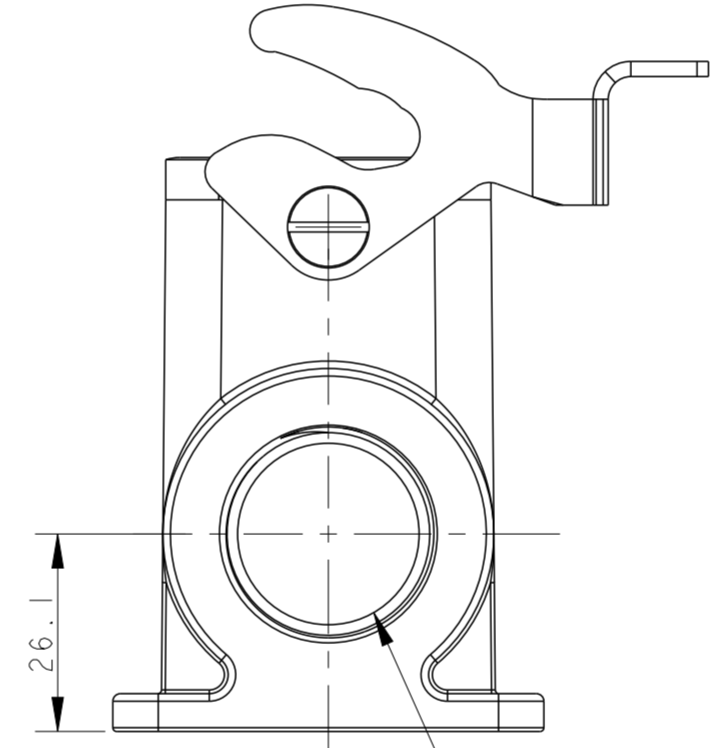
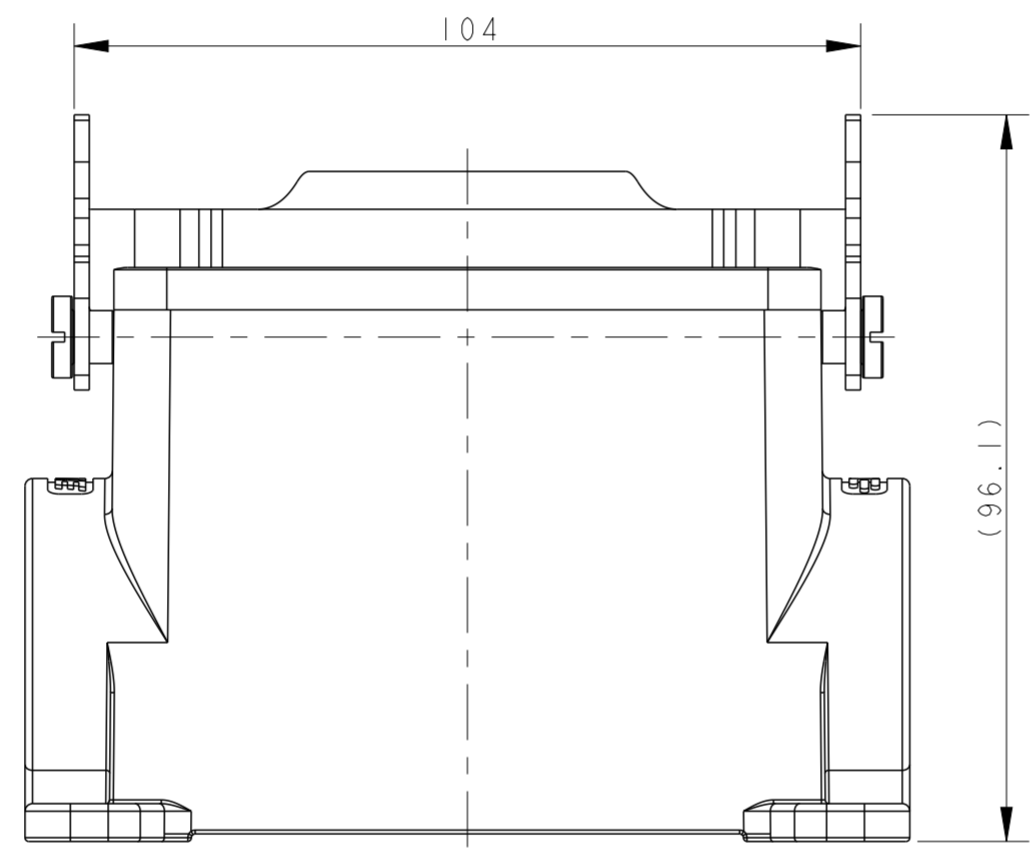
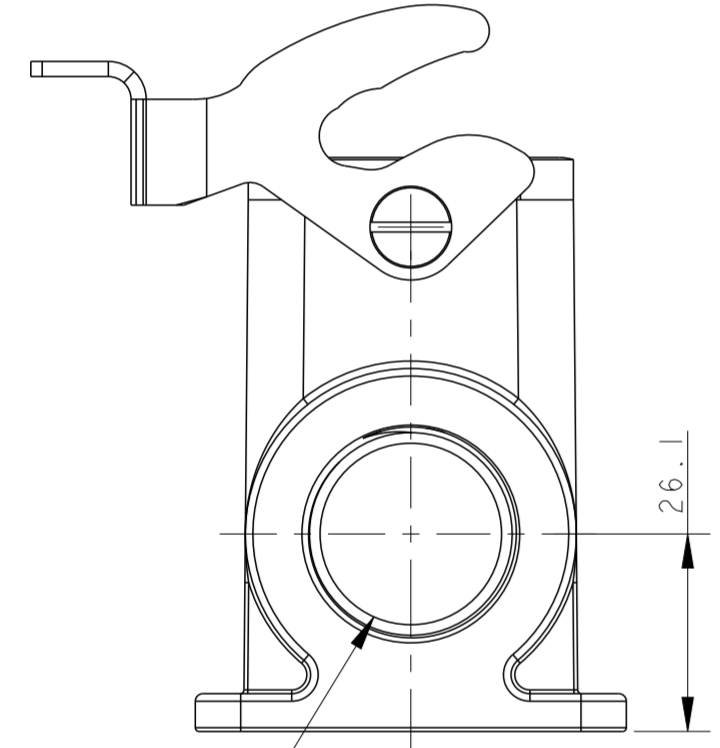
THIS DRAWING IS UNPUBLISHED. RELEASED FOR PUBLICATION 20
 © COPYRIGHT 20 BY - ALL RIGHTS RESERVED.

REVISIONS					
P	LTR	DESCRIPTION	DATE	DWN	APVD
A		INITIAL RELEASE	23JUN2015	DL	CW
AI		ECR-18-018974	09NOV2018	WOR	CW

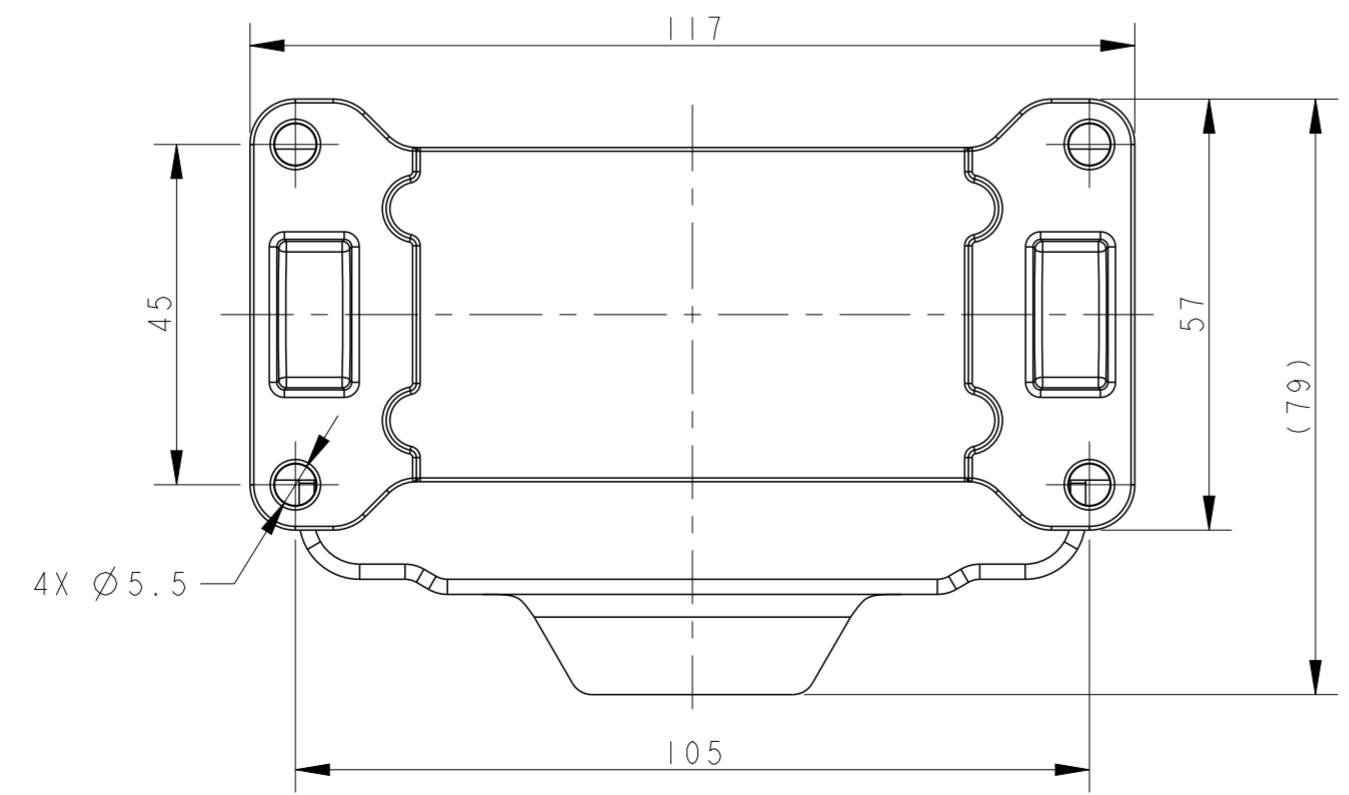


NOTES:
 1. TECHNICAL CHARACTERISTICS:
 BODY MATERIAL: DIE CAST ALUMINIUM ALLOY
 SURFACE TREATMENT: POWDER-COATED, GRAY
 DEGREE OF PROTECTION: IP65 (MATED)

注释:
 1. 技术参数:
 主体材料: 铝合金
 表面处理: 粉末喷涂, 灰色
 防护等级: IP65(配合)



T1650163125-000	H16B-SGRH-LB-M25	H16B HOUSING, SURFACE MOUNTED, METAL SINGLE LOCKING, M25, HIGH CONSTRUCTION, POWDER COATED, GREY H16B下壳, 表面安装, 引脚单扣, M25, 高结构, 灰色粉末喷涂	M25	-
T1650163121-000	H16B-SGRH-LB-PG21	H16B HOUSING, SURFACE MOUNTED, METAL SINGLE LOCKING, PG21, HIGH CONSTRUCTION, POWDER COATED, GREY H16B下壳, 表面安装, 引脚单扣, PG21, 高结构, 灰色粉末喷涂	PG21	-
T1650163129-000	H16B-SGRH-LB-PG29	H16B HOUSING, SURFACE MOUNTED, METAL SINGLE LOCKING, PG29, HIGH CONSTRUCTION, POWDER COATED, GREY H16B下壳, 表面安装, 引脚单扣, PG29, 高结构, 灰色粉末喷涂	PG29	-
T1650163132-000	H16B-SGRH-LB-M32	H16B HOUSING, SURFACE MOUNTED, METAL SINGLE LOCKING, M32, HIGH CONSTRUCTION, POWDER COATED, GREY H16B下壳, 表面安装, 引脚单扣, M32, 高结构, 灰色粉末喷涂	M32	-
T1650163221-000	H16B-SGRH-LB-2PG21	H16B HOUSING, SURFACE MOUNTED, METAL SINGLE LOCKING, 2PG21, HIGH CONSTRUCTION, POWDER COATED, GREY H16B下壳, 表面安装, 引脚单扣, 2PG21, 高结构, 灰色粉末喷涂	PG21	PG21
T1650163229-000	H16B-SGRH-LB-2PG29	H16B HOUSING, SURFACE MOUNTED, METAL SINGLE LOCKING, 2PG29, HIGH CONSTRUCTION, POWDER COATED, GREY H16B下壳, 表面安装, 引脚单扣, 2PG29, 高结构, 灰色粉末喷涂	PG29	PG29
T1650163232-000	H16B-SGRH-LB-2M32	H16B HOUSING, SURFACE MOUNTED, METAL SINGLE LOCKING, 2M32, HIGH CONSTRUCTION, POWDER COATED, GREY H16B下壳, 表面安装, 引脚单扣, 2M32, 高结构, 灰色粉末喷涂	M32	M32
PART NUMBER 料号	DESCRIPTION 描述		IG1	IG2



THIS DRAWING IS A CONTROLLED DOCUMENT.

DWN	DAVID LI	23JUN2015
CHK	CHRIS WANG	23JUN2015
APVD	XU XIANG	23JUN2015
PRODUCT SPEC	108-137013	
APPLICATION SPEC	114-137013	
WEIGHT	-	
CUSTOMER DRAWING	SCALE 1:2 SHEET 1 OF 1 REV A1	

DAVID LI 23JUN2015
 CHRIS WANG 23JUN2015
 XU XIANG 23JUN2015

TE Connectivity
 NAME H16B-SGRH-LB-PG/M

SIZE A2 CAGE CODE - DRAWING NO. G-T1650163XXX000 RESTRICTED TO