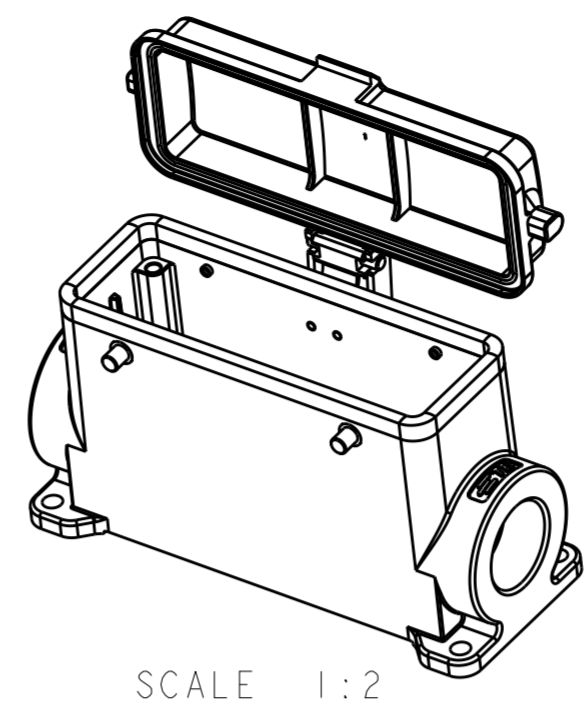
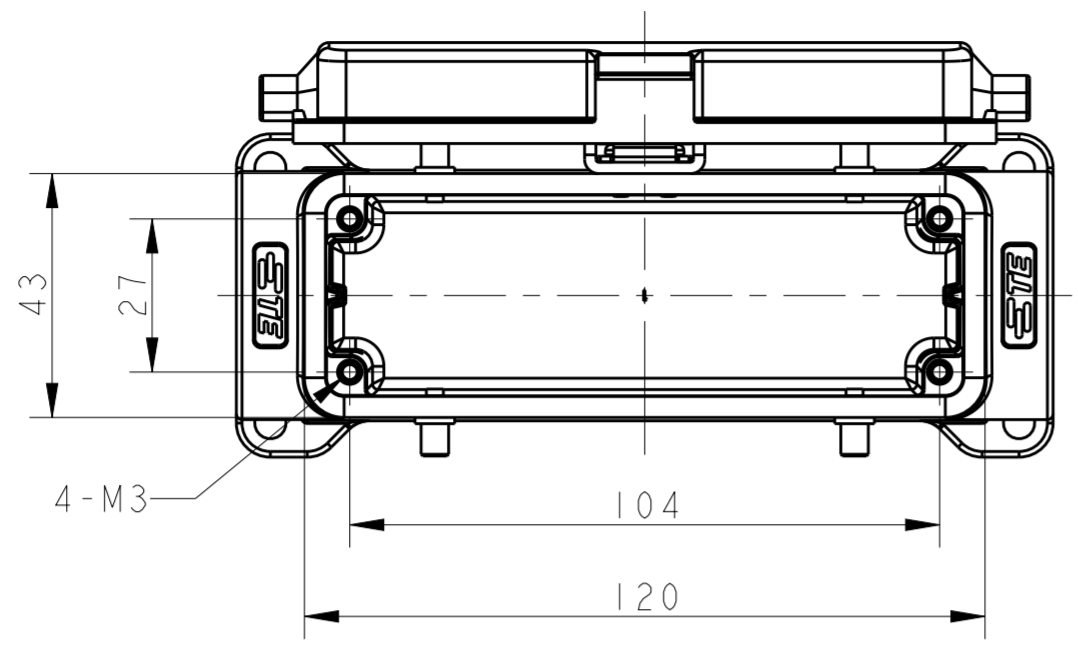


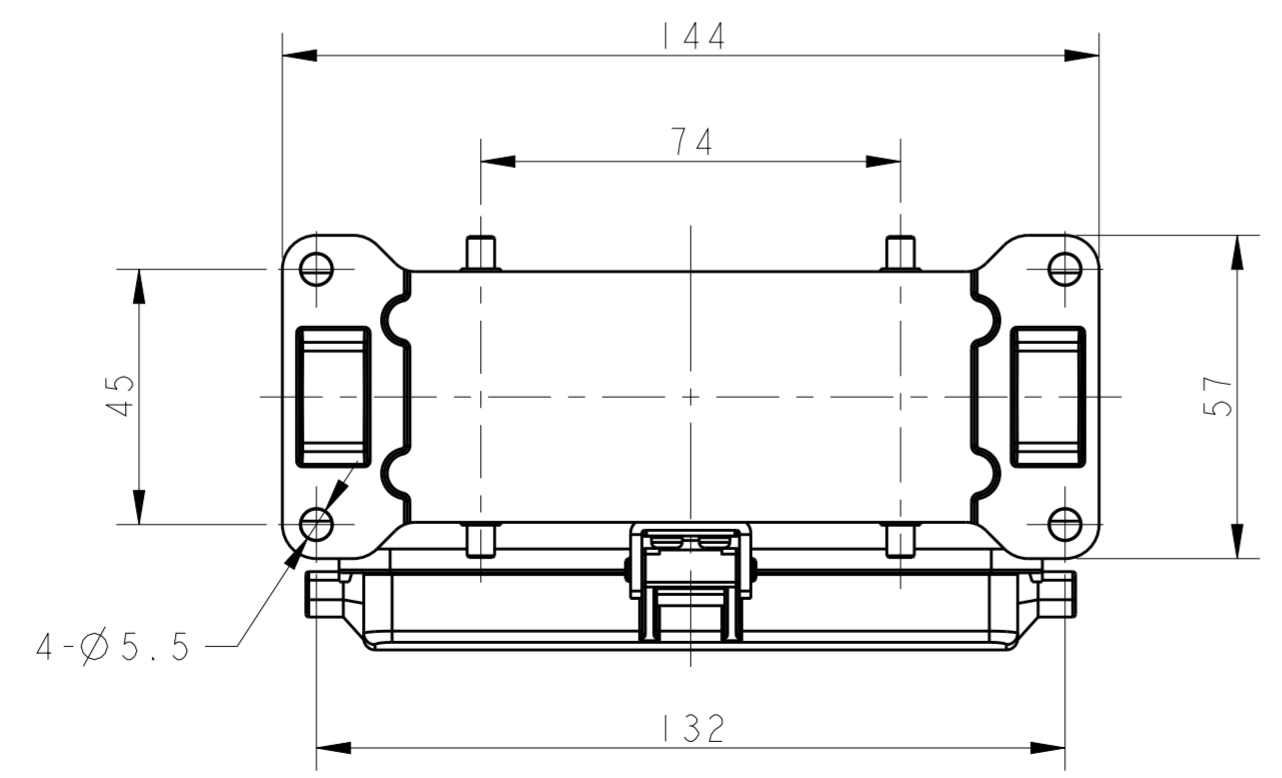
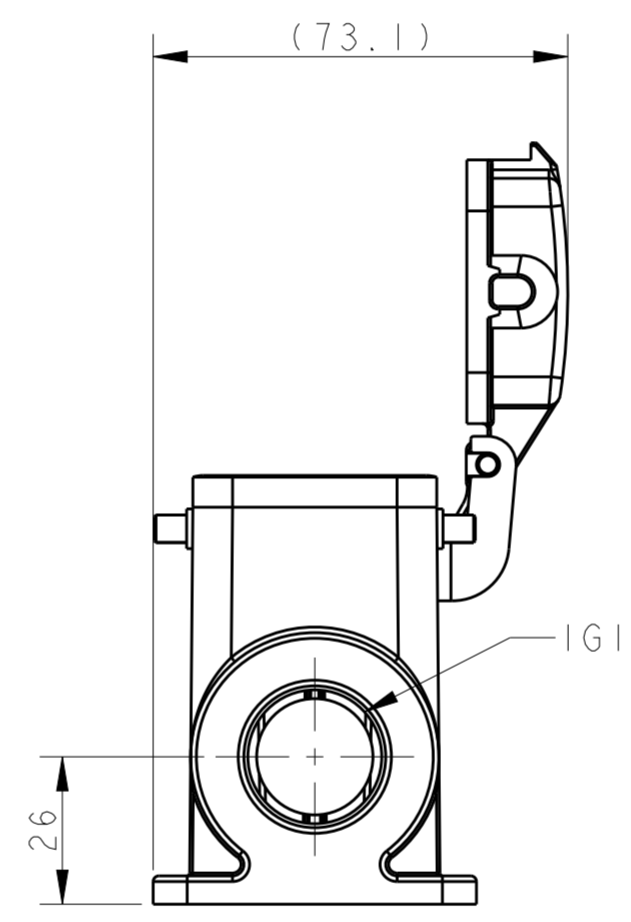
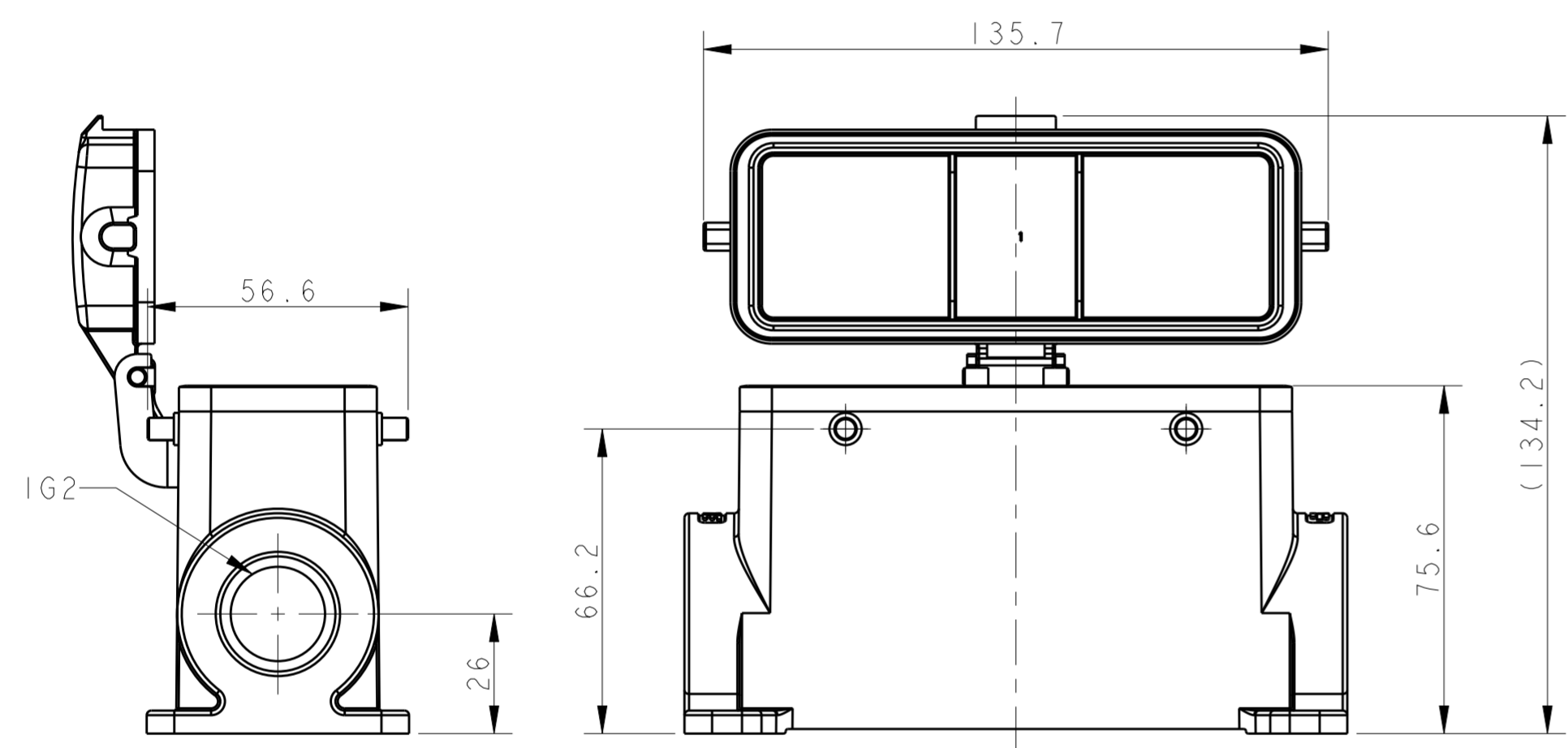
THIS DRAWING IS UNPUBLISHED. RELEASED FOR PUBLICATION 20
 © COPYRIGHT 20 BY - ALL RIGHTS RESERVED.

REVISIONS					
P	LTR	DESCRIPTION	DATE	DWN	APVD
A		INITIAL RELEASE	17JUN2015	DL	CW
AI		ECR-18-019196	11DEC2018	WOR	CW



NOTES:
 1. TECHNICAL CHARACTERISTICS:
 BODY MATERIAL: DIE CAST ALUMINIUM ALLOY
 SURFACE TREATMENT: POWDER-COATED, GRAY
 DEGREE OF PROTECTION: IP65 (MATED)

注释:
 1. 技术参数:
 主体材料: 铝合金
 表面处理: 粉末喷涂, 灰色
 防护等级: IP65(配合)



TYPE I: HIGH CONSTRUCTION + PLASTIC PROTECITON COVER
 类型 I: 高结构+带塑料保护盖

PART NUMBER	DESCRIPTION	1G1	1G2	TYPE	
TI490240121-000	H24B-SDRH-BO-PG21 H24B HOUSING, SURFACE MOUNTED, 4 EAR, PG21, HIGH CONSTRUCTION, PLASTIC PROTECTION COVER, POWDER COATED, GREY H24B下壳, 表面安装, 4耳, PG21, 高结构, 带塑料保护盖, 灰色粉末喷涂	PG21	-	TYPE I 类型 I	
TI490240125-000	H24B-SDRH-BO-M25 H24B HOUSING, SURFACE MOUNTED, 4 EAR, M25, HIGH CONSTRUCTION, PLASTIC PROTECTION COVER, POWDER COATED, GREY H24B下壳, 表面安装, 4耳, M25, 高结构, 带塑料保护盖, 灰色粉末喷涂	M25	-		
TI490240129-000	H24B-SDRH-BO-PG29 H24B HOUSING, SURFACE MOUNTED, 4 EAR, PG29, HIGH CONSTRUCTION, PLASTIC PROTECTION COVER, POWDER COATED, GREY H24B下壳, 表面安装, 4耳, PG29, 高结构, 带塑料保护盖, 灰色粉末喷涂	PG29	-		
TI490240132-000	H24B-SDRH-BO-M32 H24B HOUSING, SURFACE MOUNTED, 4 EAR, M32, HIGH CONSTRUCTION, PLASTIC PROTECTION COVER, POWDER COATED, GREY H24B下壳, 表面安装, 4耳, M32, 高结构, 带塑料保护盖, 灰色粉末喷涂	M32	-		
TI490240221-000	H24B-SDRH-BO-2PG21 H24B HOUSING, SURFACE MOUNTED, 4 EAR, 2PG21, HIGH CONSTRUCTION, PLASTIC PROTECTION COVER, POWDER COATED, GREY H24B下壳, 表面安装, 4耳, 2PG21, 高结构, 带塑料保护盖, 灰色粉末喷涂	PG21	PG21		
TI490240225-000	H24B-SDRH-BO-2M25 H24B HOUSING, SURFACE MOUNTED, 4 EAR, 2M25, HIGH CONSTRUCTION, PLASTIC PROTECTION COVER, POWDER COATED, GREY H24B下壳, 表面安装, 4耳, 2M25, 高结构, 带塑料保护盖, 灰色粉末喷涂	M25	M25		
TI490240229-000	H24B-SDRH-BO-2PG29 H24B HOUSING, SURFACE MOUNTED, 4 EAR, 2PG29, HIGH CONSTRUCTION, PLASTIC PROTECTION COVER, POWDER COATED, GREY H24B下壳, 表面安装, 4耳, 2PG29, 高结构, 带塑料保护盖, 灰色粉末喷涂	PG29	PG29		
TI490240232-000	H24B-SDRH-BO-2M32 H24B HOUSING, SURFACE MOUNTED, 4 EAR, 2M32, HIGH CONSTRUCTION, PLASTIC PROTECTION COVER, POWDER COATED, GREY H24B下壳, 表面安装, 4耳, 2M32, 高结构, 带塑料保护盖, 灰色粉末喷涂	M32	M32		
		1G1	1G2		TYPE 类型

THIS DRAWING IS A CONTROLLED DOCUMENT.

DWN: DAVID LI 17JUN2015
 CHK: CHRIS WANG 17JUN2015
 APVD: XU XIANG 17JUN2015

TE Connectivity

NAME: H24B-SDRH/SDRHM-BO-PG/M

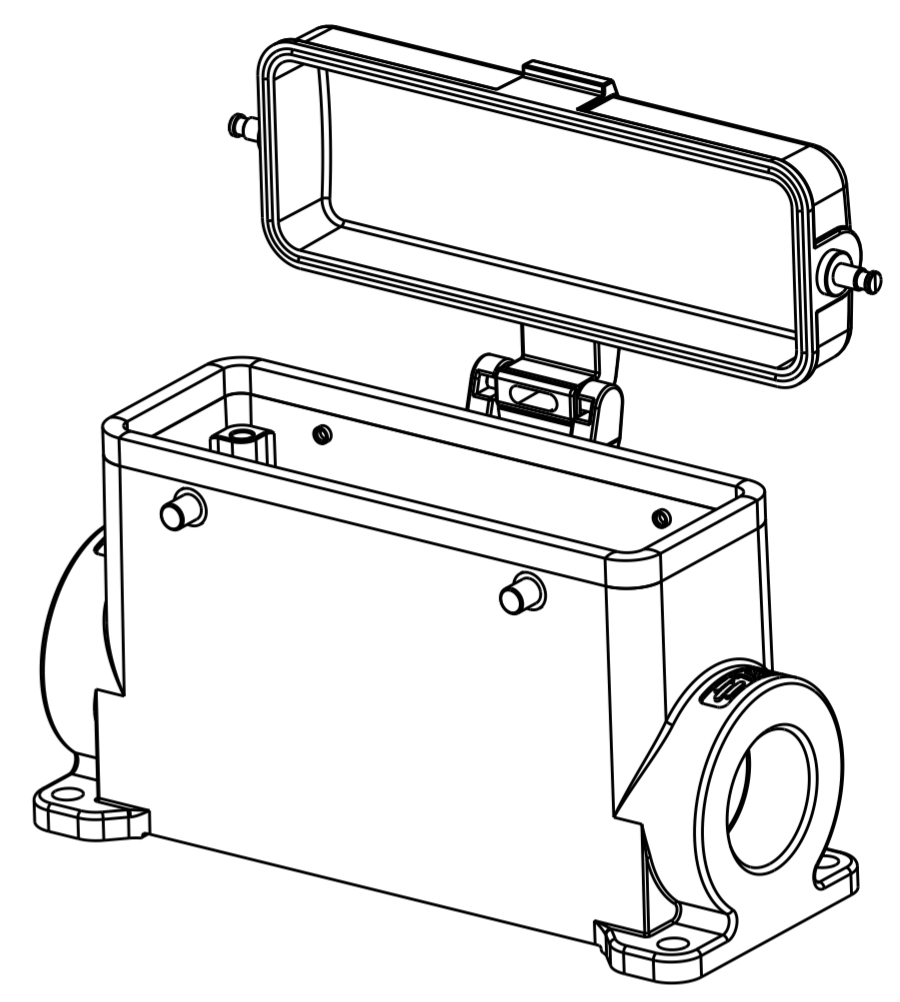
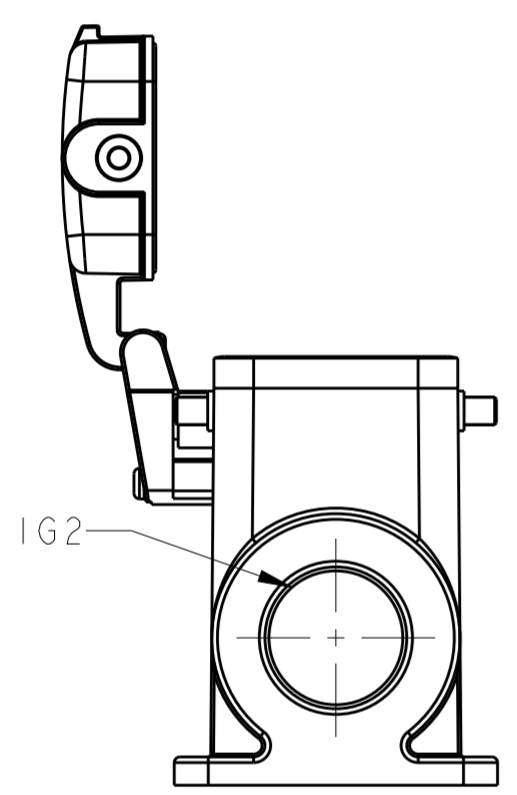
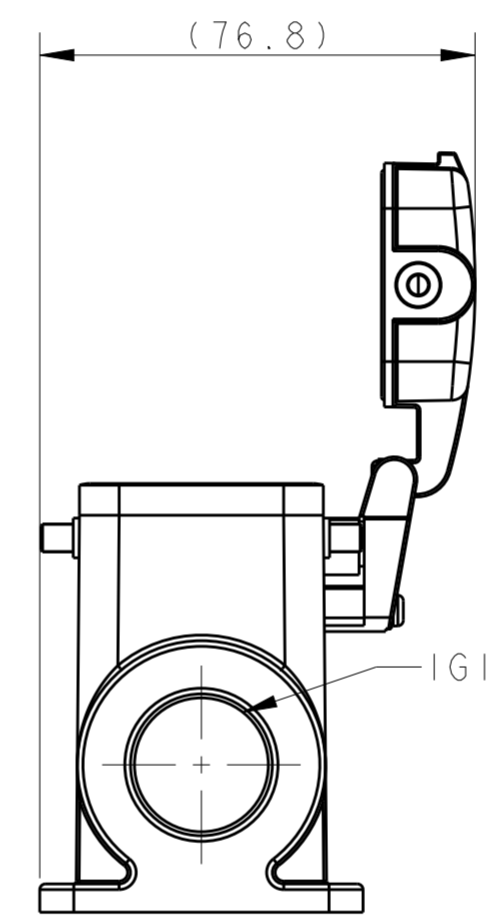
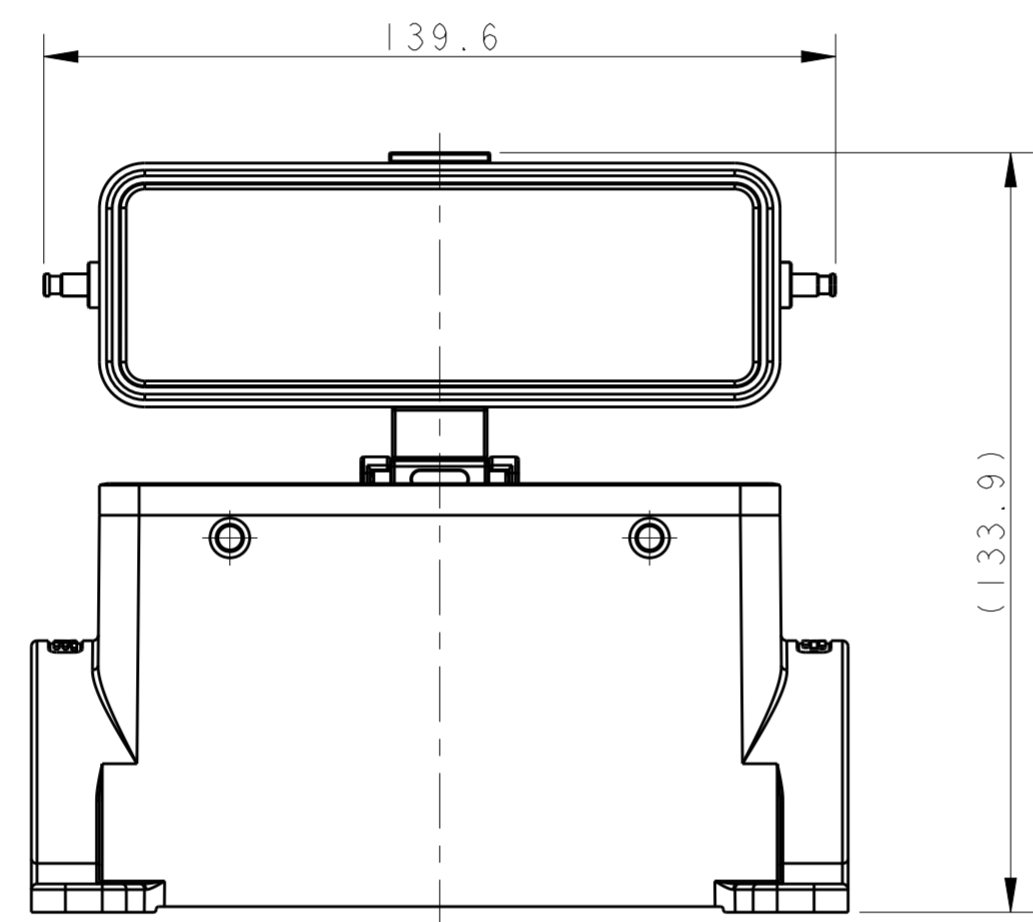
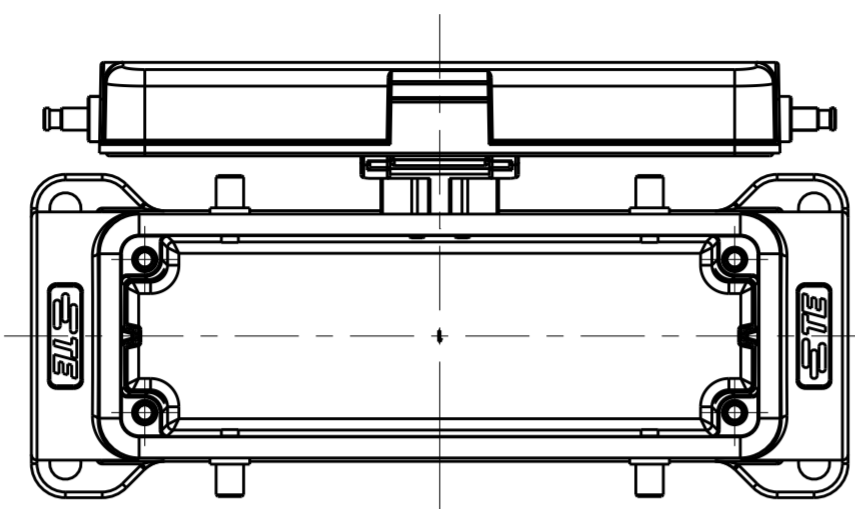
PRODUCT SPEC: 108-137013
 APPLICATION SPEC: 114-137013

SIZE: A2 CAGE CODE: - DRAWING NO: C-TI49024XXXX000 RESTRICTED TO: -
 WEIGHT: -
 SCALE: 3:4 SHEET 1 OF 2 REV: AI

CUSTOMER DRAWING

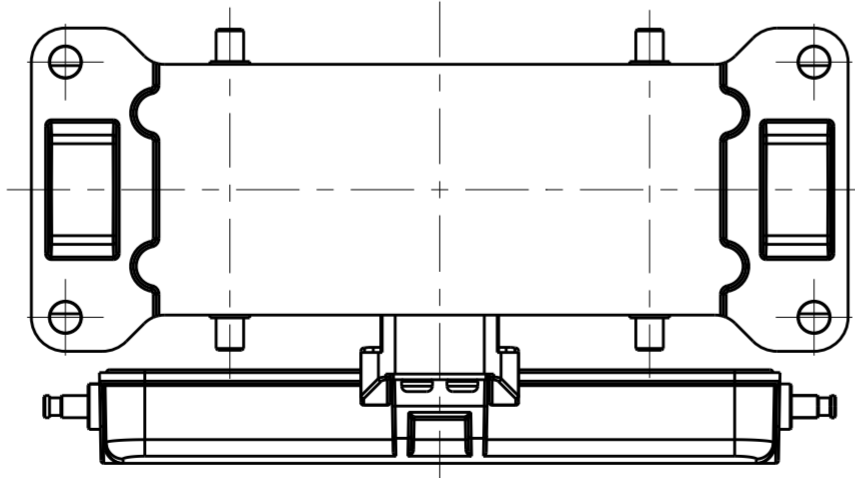
THIS DRAWING IS UNPUBLISHED. RELEASED FOR PUBLICATION 20
 © COPYRIGHT 20 BY - ALL RIGHTS RESERVED.

REVISIONS				
P	LTR	DESCRIPTION	DATE	APVD
-		SEE SHEET 1	-	-



NOTES:
SEE SHEET 1

注释:
见表 1



PART NUMBER	DESCRIPTION	PG21	PG29	M32	PG21	PG29	M32	IG1	IG2	TYPE
T1490241121-000	H24B-HDRHM-BO-PG21 H24B下壳,表面安装,4耳,PG21,高结构,带金属保护盖,灰色粉末喷涂	PG21	-	-	-	-	-	-	-	-
T1490241129-000	H24B-HDRHM-BO-PG29 H24B下壳,表面安装,4耳,PG29,高结构,带金属保护盖,灰色粉末喷涂	PG29	-	-	-	-	-	-	-	-
T1490241132-000	H24B-HDRHM-BO-M32 H24B下壳,表面安装,4耳,M32,高结构,带金属保护盖,灰色粉末喷涂	M32	-	-	-	-	-	-	-	TYPE 2 类型 2
T1490241221-000	H24B-HDRHM-BO-2PG21 H24B下壳,表面安装,4耳,2PG21,高结构,带金属保护盖,灰色粉末喷涂	PG21	PG21	-	-	-	-	-	-	-
T1490241229-000	H24B-HDRHM-BO-2PG29 H24B下壳,表面安装,4耳,2PG29,高结构,带金属保护盖,灰色粉末喷涂	PG29	PG29	-	-	-	-	-	-	-
T1490241232-000	H24B-HDRHM-BO-2M32 H24B下壳,表面安装,4耳,2M32,高结构,带金属保护盖,灰色粉末喷涂	M32	M32	-	-	-	-	-	-	-
PART NUMBER	DESCRIPTION	IG1	IG2	TYPE						

TYPE 2: HIGH CONSTRUCTION + METAL PROTECTION COVER
 OTHER SPEC REFER TO TYPE 1
 类型 2: 高结构+带金属保护盖保护盖
 其余规范参考类型 1

THIS DRAWING IS A CONTROLLED DOCUMENT.

DWN DAVID LI 17JUN2015	TE Connectivity			
CHK CHRIS WANG 17JUN2015				
APVD XU XIANG 17JUN2015				
NAME H24B-SDRH/SDRHM-BO-PG/M				
PRODUCT SPEC 108-137013	SIZE A2	CAGE CODE -	DRAWING NO. C-T149024XXXX000	RESTRICTED TO
APPLICATION SPEC 114-137013	SCALE 3:4	SHEET 2 OF 2	REV A1	
MATERIAL -	WEIGHT -	CUSTOMER DRAWING		