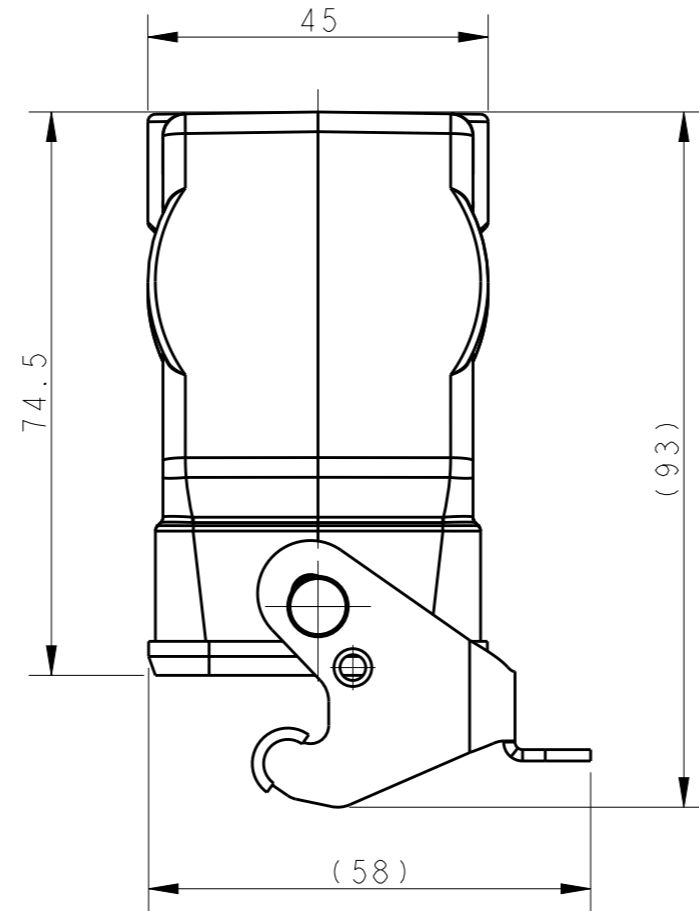
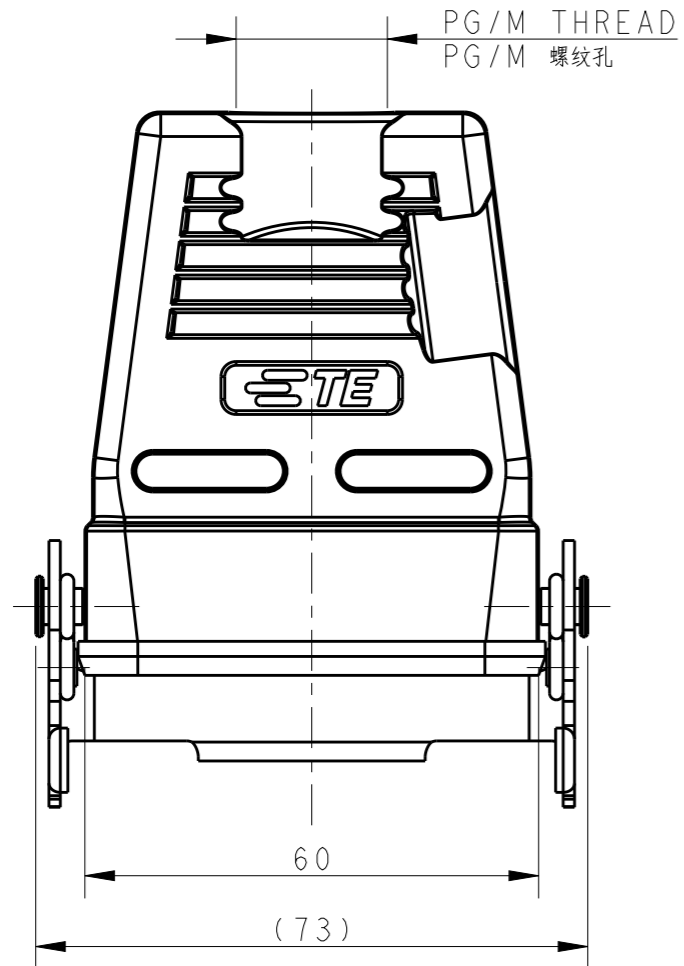


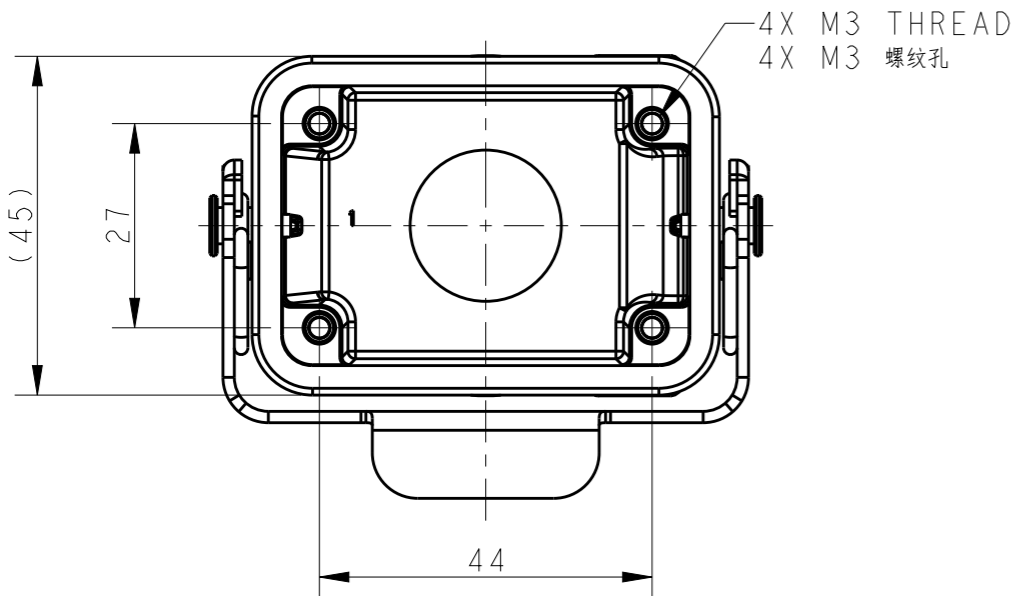
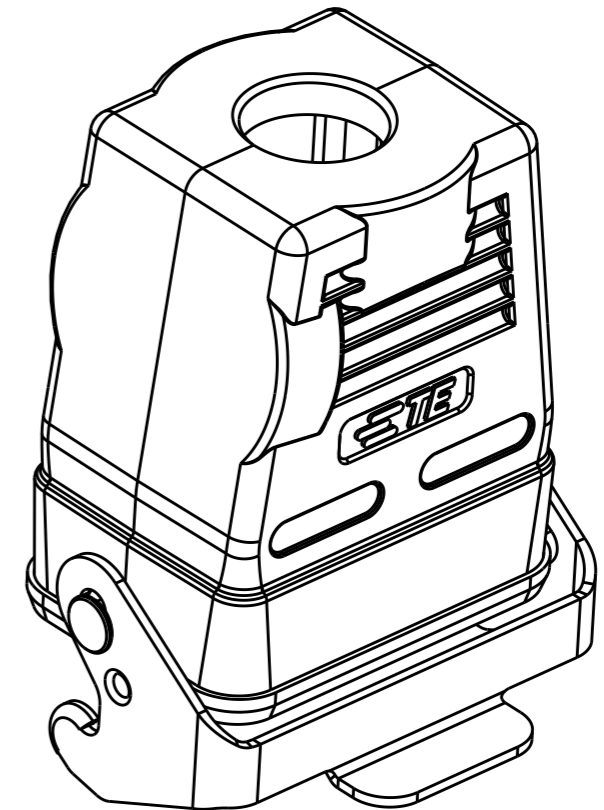
THIS DRAWING IS UNPUBLISHED. RELEASED FOR PUBLICATION 20
 © COPYRIGHT 20 BY - ALL RIGHTS RESERVED.


REVISIONS					
P	LTR	DESCRIPTION	DATE	DWN	APVD
	A	INITIAL	23JUN2015	DW	CW
	A1	ECR-15-012067	10AUG2015	DW	CW
	A2	ECR-18-017123	09NOV2018	KW	CW



NOTES:
 1. TECHNICAL CHARACTERISTICS:
 HOUSING MATERIAL: DIE CAST ALUMINIUM ALLOY
 SURFACE: POWDER COATED, GREY
 DEGREE OF PROTECTION: IP65 (MATED)

注释:
 1. 技术参数:
 下壳材料: 铝合金
 表面处理: 粉末涂层, 灰色
 防护等级: IP65(配合)



THIS DRAWING IS A CONTROLLED DOCUMENT.		DWN 23JUN2015 David Wang	 TE Connectivity NAME H6B-TBFH-M/PG			
DIMENSIONS: mm		CHK 23JUN2015 Chris Wang				PRODUCT SPEC 108-137013
TOLERANCES UNLESS OTHERWISE SPECIFIED:		APVD 23JUN2015 Xiang Xu				APPLICATION SPEC 114-137013
0 PLC ±- 1 PLC ±- 2 PLC ±- 3 PLC ±- 4 PLC ±- ANGLES ±-		WEIGHT -				SIZE A3 CAGE CODE 00779 DRAWING NO. C-T17700631XX000
MATERIAL -		FINISH -	RESTRICTED TO -	SCALE 1:1	SHEET 1 OF 2	REV A2

THIS DRAWING IS UNPUBLISHED.

RELEASED FOR PUBLICATION 20

© COPYRIGHT 20 BY - ALL RIGHTS RESERVED.

REVISIONS

P	LTR	DESCRIPTION	DATE	DWN	APVD
	-	SEE SHEET 1	-	-	-

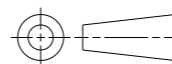
NOTES:
SEE SHEET 1.
注释:
见第1页.

T1770063116-000	H6B-TBFH-PG16	H6B HOUSING,CABLE-TO-CABLE,METAL SINGLE LOCKING, HIGH CONSTRUCTION,PG16,POWDER COATED,GREY H6B下壳,电缆对接,彩锌单扣,高结构,PG16,灰色粉末喷涂	PG16
T1770063120-000	H6B-TBFH-M20	H6B HOUSING,CABLE-TO-CABLE,METAL SINGLE LOCKING, HIGH CONSTRUCTION,M20,POWDER COATED,GREY H6B下壳,电缆对接,彩锌单扣,高结构,M20,灰色粉末喷涂	M20
T1770063121-000	H6B-TBFH-PG21	H6B HOUSING,CABLE-TO-CABLE,METAL SINGLE LOCKING, HIGH CONSTRUCTION,PG21,POWDER COATED,GREY H6B下壳,电缆对接,彩锌单扣,高结构,PG21,灰色粉末喷涂	PG21
T1770063125-000	H6B-TBFH-M25	H6B HOUSING,CABLE-TO-CABLE,METAL SINGLE LOCKING, HIGH CONSTRUCTION,M25,POWDER COATED,GREY H6B下壳,电缆对接,彩锌单扣,高结构,M25,灰色粉末喷涂	M25
T1770063129-000	H6B-TBFH-PG29	H6B HOUSING,CABLE-TO-CABLE,METAL SINGLE LOCKING, HIGH CONSTRUCTION,PG29,POWDER COATED,GREY H6B下壳,电缆对接,彩锌单扣,高结构,PG29,灰色粉末喷涂	PG29
T1770063132-000	H6B-TBFH-M32	H6B HOUSING,CABLE-TO-CABLE,METAL SINGLE LOCKING, HIGH CONSTRUCTION,M32,POWDER COATED,GREY H6B下壳,电缆对接,彩锌单扣,高结构,M32,灰色粉末喷涂	M32
PART NUMBER 料号	PART DESCRIPTION 描述		PG/M THREAD PG/M 螺纹孔

THIS DRAWING IS A CONTROLLED DOCUMENT.

DIMENSIONS:

mm



TOLERANCES UNLESS OTHERWISE SPECIFIED:

0 PLC	±-
1 PLC	±-
2 PLC	±-
3 PLC	±-
4 PLC	±-
ANGLES	±-

MATERIAL

-

FINISH

-

DWN 23JUN2015

David Wang

CHK 23JUN2015

Chris Wang

APVD 23JUN2015

Xiang Xu

PRODUCT SPEC

108-137013

APPLICATION SPEC

114-137013

WEIGHT

-

Customer Drawing



TE Connectivity

NAME

H6B-TBFH-M/PG

SIZE

CAGE CODE

DRAWING NO

RESTRICTED TO

A3

00779

©-T17700631XX000

-

SCALE

1:1

SHEET

2 OF 2

REV

A2