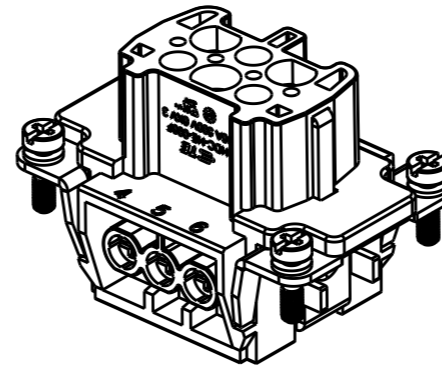
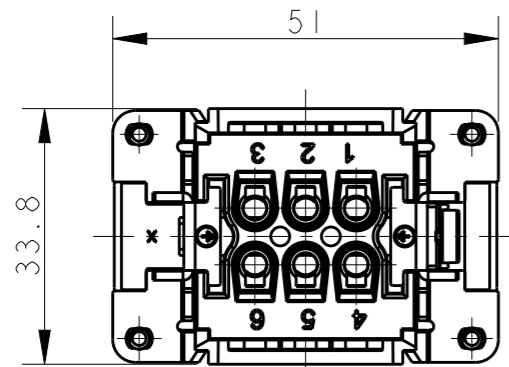


P	LTR	DESCRIPTION	DATE	DWN	APVD
	A	INITIAL RELEASE	04APR2015	GY	CW
	B	ECR-15-013759	27SEP	DW	CW
	B1	ECR-16-011988	24AUG2016	YC	CW
	B2	ECR-18-017123	21DEC2018	KW	CW



TYPE 1, T2040062201-000, WITH LOGO
 类型 1, T2040062201-000, 带LOGO

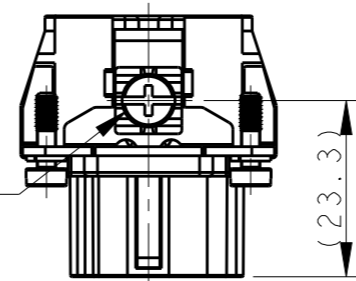
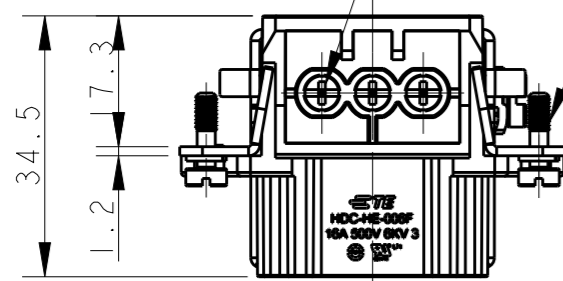
NOTES:

- TECHNICAL CHARACTERISTICS:
 INSULATION MATERIAL: PC
 RATED VOLTAGE: 500V
 RATED CURRENT: 16A
 INSULATION RESISTANCE: $\geq 400M\Omega$
 RATED IMPULSE VOLTAGE: 6KV
 POLLUTION DEGREE: 3
 FLAMMABILITY: UL94V-0
 MATING CYCLES: 500 CYCLES
 WIRE RANGE: $0.5mm^2 \sim 2.5mm^2$ (AWG20-AWG14)
 CONTACT TYPE: SCREW CLAMP (M3)

6X M3 SCREW, RECOMMENDED
 TIGHTENING TORQUE 0.5Nm
 6X M3螺丝, 推荐锁紧力矩0.5Nm

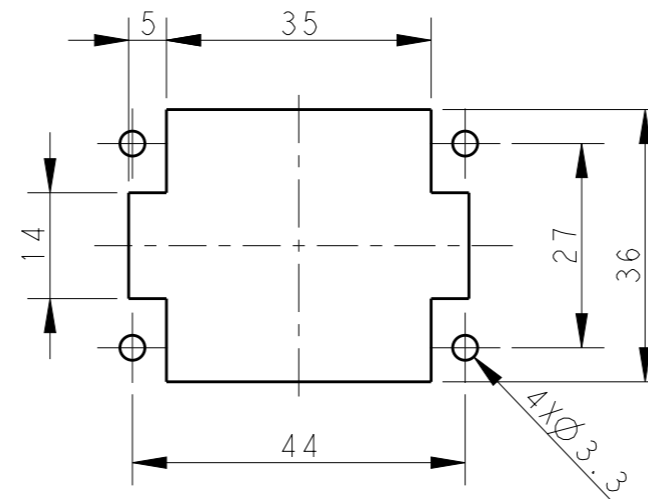
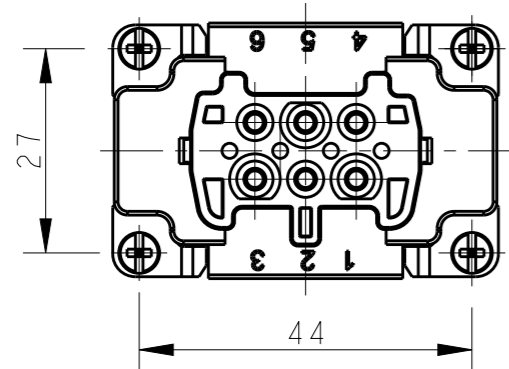
4X M3 SCREW, RECOMMENDED
 TIGHTENING TORQUE 0.5Nm
 4X M3螺丝, 推荐锁紧力矩0.5Nm

M4 SCREW, RECOMMENDED
 TIGHTENING TORQUE 1.2Nm
 M4螺丝, 推荐锁紧力矩1.2Nm



注释:

- 技术参数:
 绝缘材料: PC
 额定电压: 500V
 额定电流: 16A
 绝缘电阻: $\geq 400M\Omega$
 脉冲电压: 6KV
 污染等级: 3
 阻燃等级: UL94V-0
 插拔次数: 500 次
 接线范围: $0.5mm^2 \sim 2.5mm^2$ (AWG20-AWG14)
 接线类型: 螺丝压接 (M3)



PANEL CUT FOR INSERTS FOR USE
 WITHOUT HOODS/ HOUSINGS
 不使用防护外壳时芯件的安装开孔图

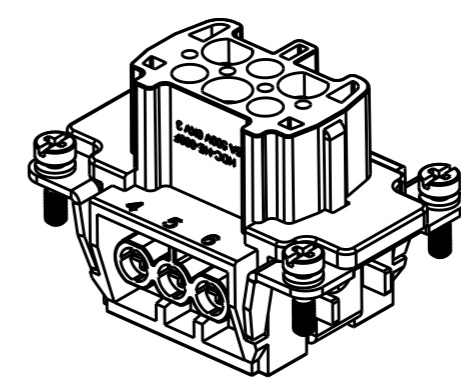
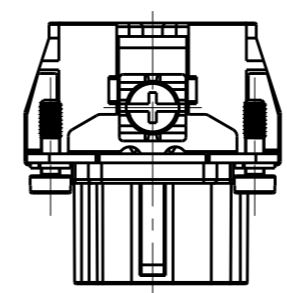
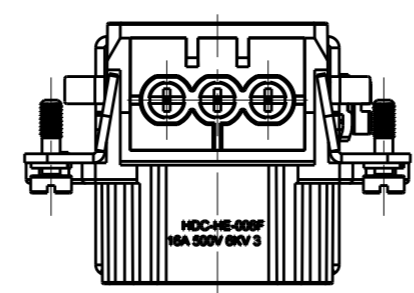
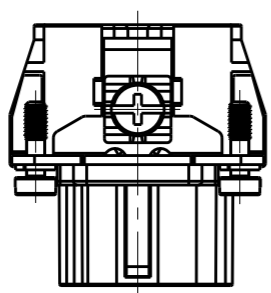
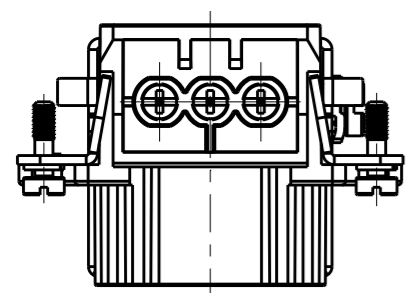
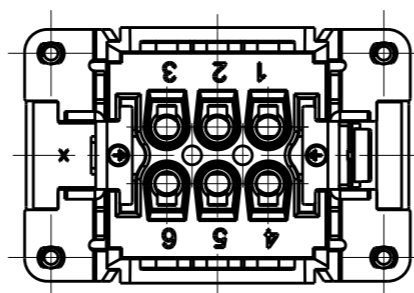
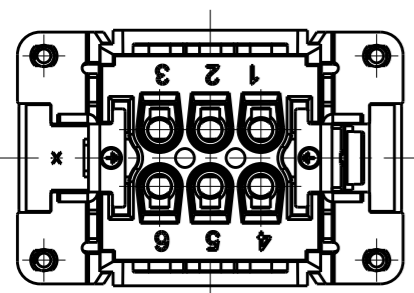
THIS DRAWING IS A CONTROLLED DOCUMENT.		DWN	GINO YAO 05APR2015		TE Connectivity
		CHK	CHRIS WANG 05APR2015		
		APVD	XIANG XU 05APR2015		
		PRODUCT SPEC	108-137044		
DIMENSIONS: mm		TOLERANCES UNLESS OTHERWISE SPECIFIED:		NAME HE-006-F	
		0 PLC	±-		SIZE A3
		1 PLC	±-		
		2 PLC	±-		CAGE CODE 00779
		3 PLC	±-		
		4 PLC	±-		DRAWING NO T2040062201000
		ANGLES	±-		
MATERIAL		FINISH		RESTRICTED TO	
-		-		A300779	
-		-		SCALE 1:1	
		CUSTOMER DRAWING		SHEET 1 OF 2	
				REV B2	

REVISIONS

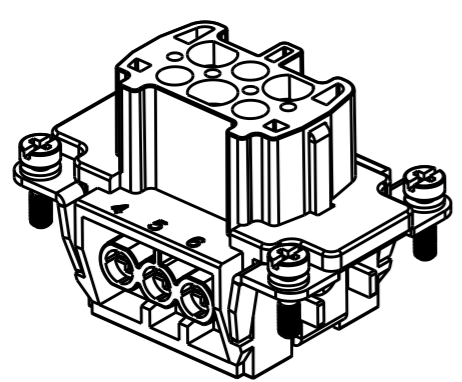
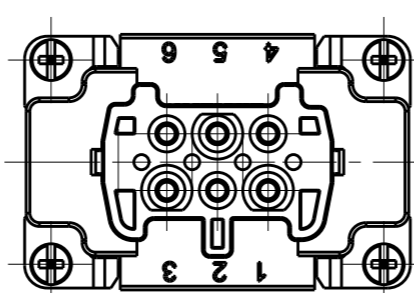
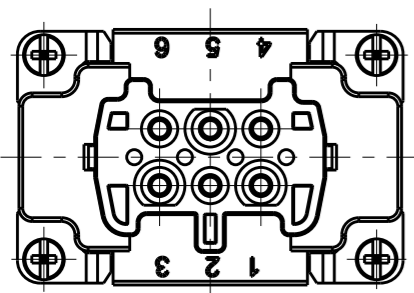
P	LTR	DESCRIPTION	DATE	DWN	APVD
		SEE SHEET 1			

NOTE:
ALL SPEC REFER TO TYPE 1

注释:
所有产品规范参照 TYPE 1




TYPE 3, T2049062201-000, WITHOUT LASER TE LOGO
类型 3, T2049062201-000, 不带激光LOGO



TYPE 2, T2040062201-001, WITHOUT LASER SIDE MARK
类型 2, T2040062201-001, 不带激光侧面标识

T2040062201-000	HE-006-F	HE-006 FEMALE INSERT HE-006 母插	TYPE 1
T2040062201-001	HE-006-F	HE-006 FEMALE INSERT, WITHOUT LASER SIDE MARK HE-006 母插, 无激光侧面标识	TYPE 2
T2049062201-000	HE-006-F	HE-006 FEMALE INSERT, WITHOUT LOGO HE-006 母插, 无LOGO	TYPE 3
PART NUMBER 料号	PART DESCRIPTION 描述		TYPE 类型

THIS DRAWING IS A CONTROLLED DOCUMENT.		DWN GINO YAO 05APR2015	 TE Connectivity	
DIMENSIONS: mm		CHK CHRIS WANG 05APR2015		
TOLERANCES UNLESS OTHERWISE SPECIFIED:		APVD XIANG XU 05APR2015	NAME HE-006-F	
0 PLC ±-		PRODUCT SPEC 108-137044	SIZE A3	
1 PLC ±-		APPLICATION SPEC 114-137044	CAGE CODE 00779	
2 PLC ±-		WEIGHT -	DRAWING NO T2040062201000	
3 PLC ±-		CUSTOMER DRAWING	RESTRICTED TO	
4 PLC ±-			SCALE 1:1	
ANGLES ±-		SHEET 2 OF 2		
FINISH -		REV B2		