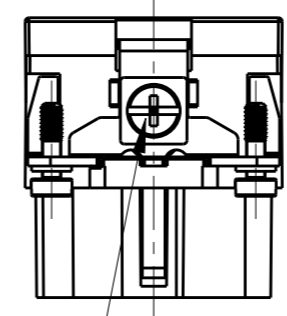
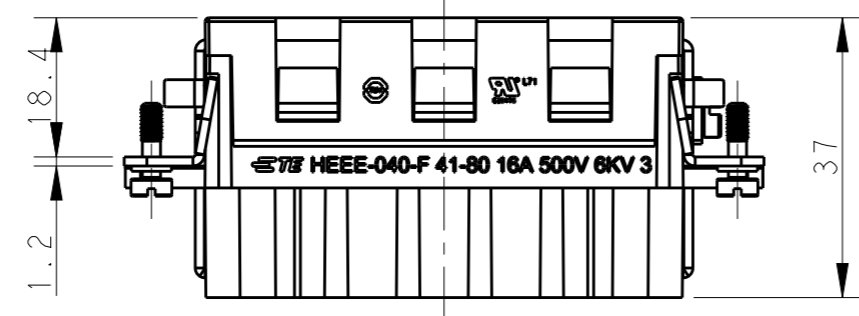
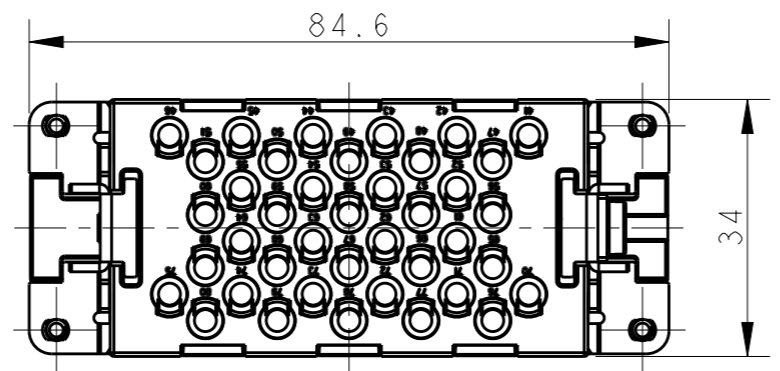


THIS DRAWING IS UNPUBLISHED. RELEASED FOR PUBLICATION 20
 © COPYRIGHT 20 BY - ALL RIGHTS RESERVED.

REVISIONS					
P	LTR	DESCRIPTION	DATE	DWN	APVD
	A	INITIAL	12APR2016	YC	CW

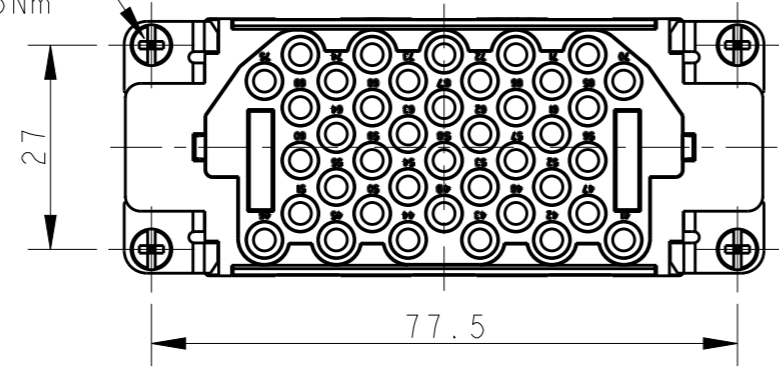


- NOTES:
- TECHNICAL CHARACTERISTICS:
 INSULATION MATERIAL: PC
 RATED VOLTAGE: 500V
 RATED CURRENT: 16A
 INSULATION RESISTANCE: $\geq 400M\Omega$
 RATED IMPULSE VOLTAGE: 6KV
 POLLUTION DEGREE: 3
 FLAMMABILITY: UL94V-0
 MATING CYCLES: 500 CYCLES
 WIRE RANGE: $0.14mm^2 \sim 4mm^2$ (AWG26-AWG12)
 CONTACT TYPE: CRIMP CONTACT
 - CONTACTS NEED TO BE ORDERED SEPARATELY.
 (ORDER No. REFER TO DRAWING: T20300X20XX000)

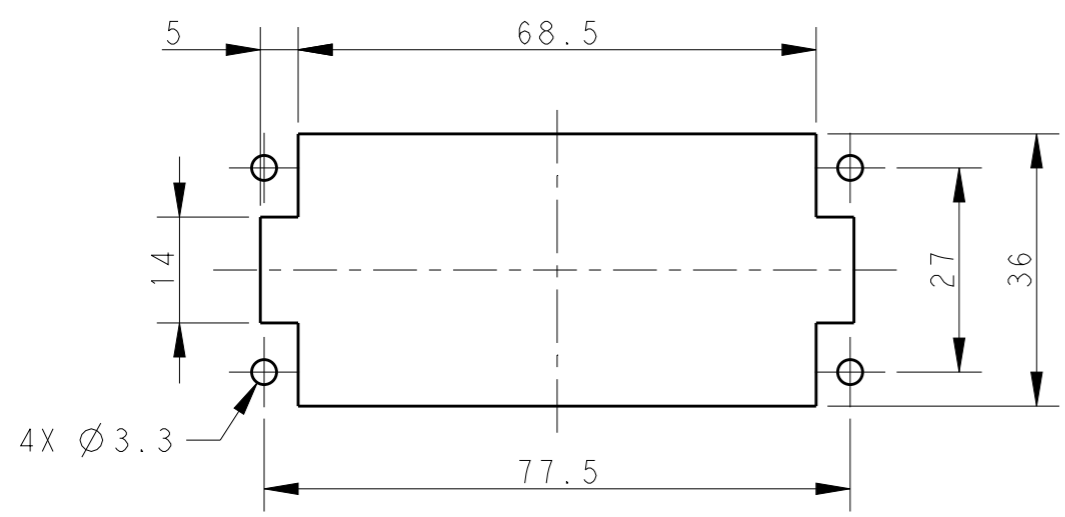
- 注释:
- 技术参数:
 绝缘材料: PC
 额定电压: 500V
 额定电流: 16A
 绝缘电阻: $\geq 400M\Omega$
 脉冲电压: 6KV
 污染等级: 3
 阻燃等级: UL94V-0
 插拔次数: 500次
 接线范围: $0.14mm^2 \sim 4mm^2$ (AWG26-AWG12)
 接线类型: 冷压接
 - 端子需要单独订购。
 (订货号参考图号: T20300X20XX000)

4X M3 THREAD, RECOMMENDED
TIGHTENING TORQUE 0.5Nm

M4 THREAD
RECOMMENDED
TIGHTENING TORQUE
1.2Nm



PANEL CUT FOR INSERTS FOR USE
WITHOUT HOODS/ HOUSINGS



T2050802201-000	HEEE-040-F 41-80 HEEE-040母插 41-80
PART NUMBER 料号	PART DESCRIPTION 描述

THIS DRAWING IS A CONTROLLED DOCUMENT.		DWN YORK CHEN 12APR2016	TE Connectivity NAME HEEE-040-F 41-80	
DIMENSIONS: mm		CHK KYLE ZENG 12APR2016		
TOLERANCES UNLESS OTHERWISE SPECIFIED:		APVD CHRIS WANG 12APR2016		
0 PLC ±- 1 PLC ±- 2 PLC ±- 3 PLC ±- 4 PLC ±- ANGLES ±-		PRODUCT SPEC 108-137068		
MATERIAL -		FINISH -	APPLICATION SPEC 114-137068	SIZE A3
-		-	WEIGHT -	CAGE CODE 00779
Customer Drawing			RESTRICTED TO -	DRAWING NO. T2050802201000
			SCALE 1:1	SHEET 1 OF 1
				REV A