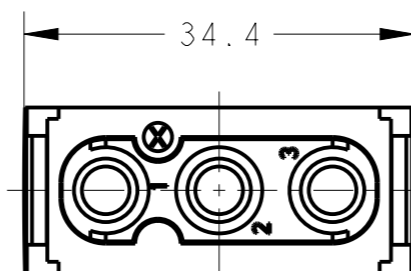
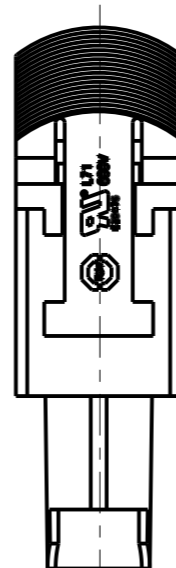
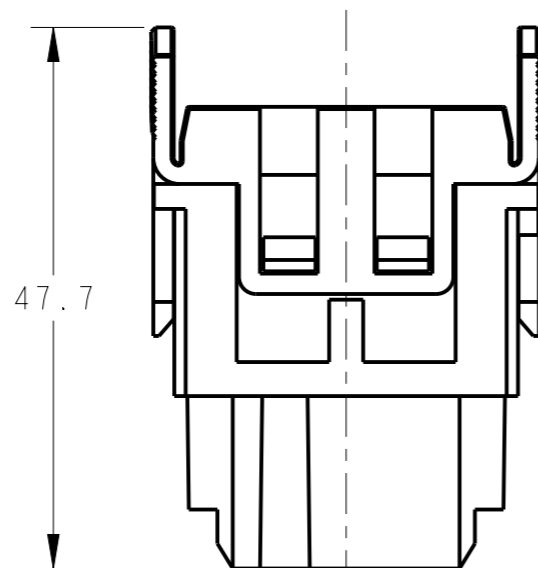
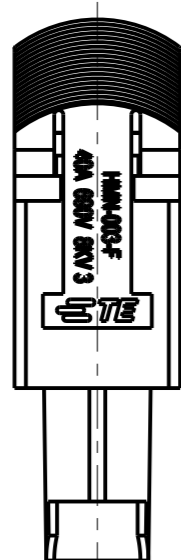
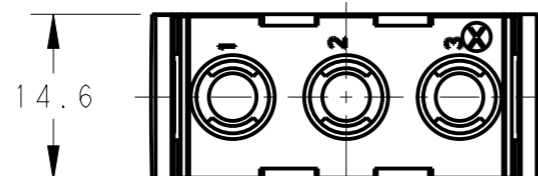
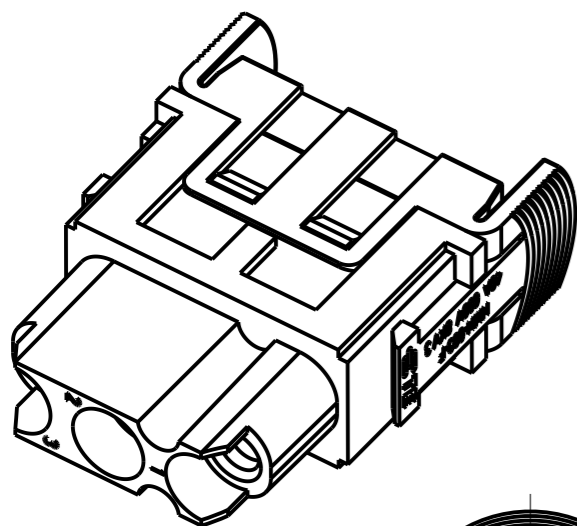


REVISIONS

P	LTR	DESCRIPTION	DATE	DWN	APVD
	A	INITIAL	16APR2015	DW	CW
	B	ECR-15-018270	09DEC2015	DW	CW
	B1	ECR-18-018657	29NOV2018	CD	CW
	C	ECR-19-006822	21MAY2019	BS	CW

TYPE I
类型 I



NOTES:

- TECHNICAL CHARACTERISTICS:
 INSULATION MATERIAL: PC
 RATED VOLTAGE: 690V
 RATED CURRENT: 40A
 INSULATION RESISTANCE: $\geq 400M\Omega$
 RATED IMPULSE VOLTAGE: 8KV
 POLLUTION DEGREE: 3
 FLAMMABILITY: UL94V-0
 MATING CYCLES: 500 CYCLES
 OPERATION TEMPERATURE: $-40\sim+125^{\circ}C$
 WIRE RANGE: 1~6 mm² (18~10 AWG)
 CONTACT TYPE: CRIMP CONTACT
- CONTACT NEED TO BE ORDERED SEPARATELY.
 (ORDER No. REFER TO DRAWING:T20400X20XX000)

注释:

- 技术参数:
 绝缘材料: PC
 额定电压: 690V
 额定电流: 40A
 绝缘电阻: $\geq 400M\Omega$
 额定脉冲电压: 8KV
 污染等级: 3
 阻燃等级: UL94V-0
 插拔次数: 500次
 工作温度: $-40\sim+125^{\circ}C$
 接线范围: 1~6 mm² (18~10 AWG)
 接线类型: 冷压接
- 端子需要单独订购。
 (订货号参考图面: T20400X20XX000)

THIS DRAWING IS A CONTROLLED DOCUMENT.

DIMENSIONS:	TOLERANCES UNLESS OTHERWISE SPECIFIED:
mm	
	0 PLC ±-
	1 PLC ±-
	2 PLC ±-
	3 PLC ±-
	4 PLC ±-
	ANGLES ±-
MATERIAL	FINISH
-	-
-	-

DWN	16APR2015
David Wang	
CHK	16APR2015
Chris Wang	
APVD	16APR2015
Xiang Xu	
PRODUCT SPEC	108-137118
APPLICATION SPEC	114-137118
WEIGHT	-
Customer Drawing	

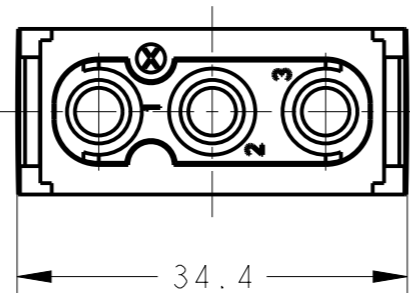
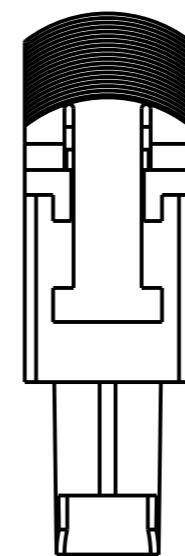
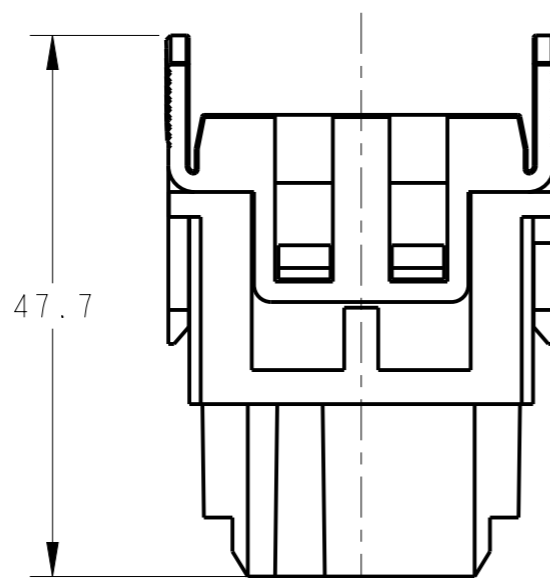
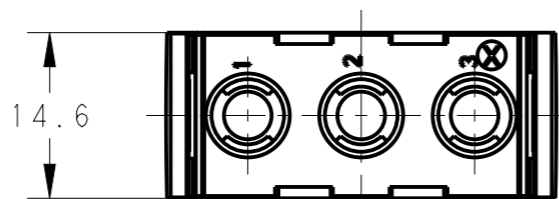
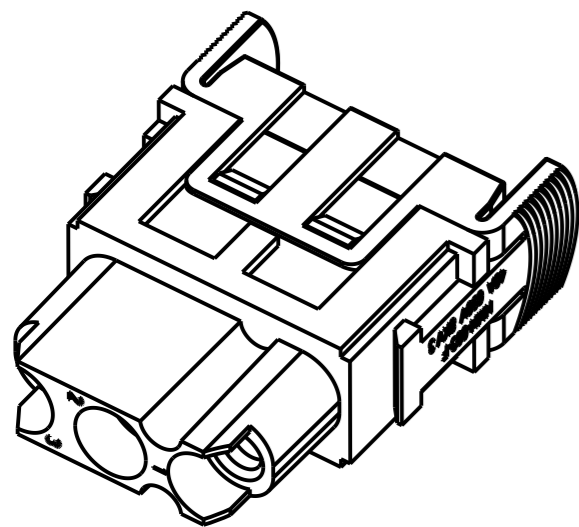


NAME		HMN-003-F	
SIZE	CAGE CODE	DRAWING NO	RESTRICTED TO
A3	00779	T2111032201000	-
SCALE		SHEET	REV
3:2		1 OF 2	C

REVISIONS

P	LTR	DESCRIPTION	DATE	DWN	APVD
-		SEE SHEET 1	-	-	-

TYPE 2:NO LOGO
类型2:无LOGO



NOTES:
SEE SHEET 1
备注:
见 SHEET 1

NO LOGO
无LOGO

T2111032201-002	HMN-003-F	HMN-003 FEMALE MODULE INSERT, NO LOGO HMN-003 模块母插, 无LOGO	TYPE2 类型2
T2111032201-000	HMN-003-F	HMN-003 FEMALE MODULE INSERT HMN-003 模块母插	TYPE1 类型1
PART NUMBER 料号	PART DESCRIPTION 描述		TYPE 类型

THIS DRAWING IS A CONTROLLED DOCUMENT.		DWN 16APR2015 David Wang			
DIMENSIONS: mm		CHK 16APR2015 Chris Wang			NAME HMN-003-F
TOLERANCES UNLESS OTHERWISE SPECIFIED:		APVD 16APR2015 Xiang Xu			PRODUCT SPEC 108-137118
0 PLC ±- 1 PLC ±- 2 PLC ±- 3 PLC ±- 4 PLC ±- ANGLES ±-		APPLICATION SPEC 114-137118			SIZE A3
MATERIAL -	FINISH -	WEIGHT -	CAGE CODE 00779	DRAWING NO T2111032201000	RESTRICTED TO -
Customer Drawing			SCALE 3:2	SHEET 2 OF 2	REV C