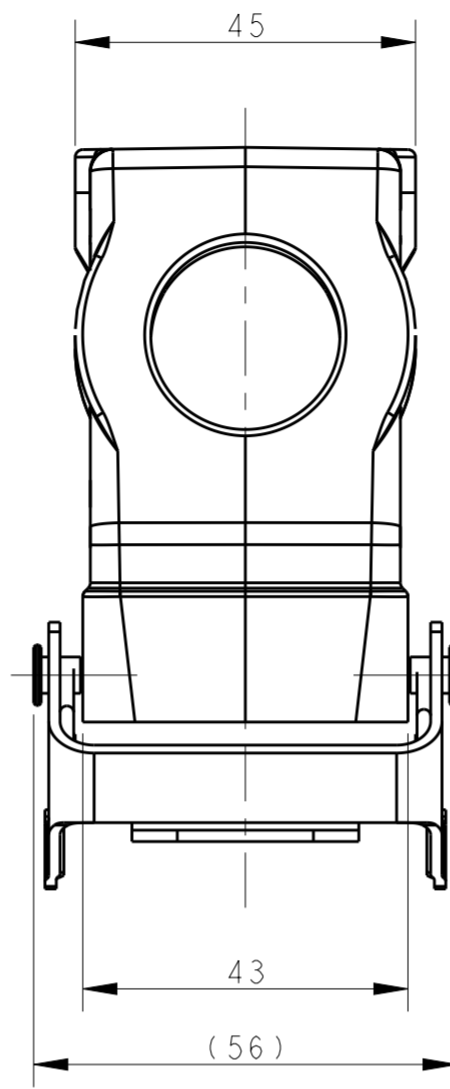
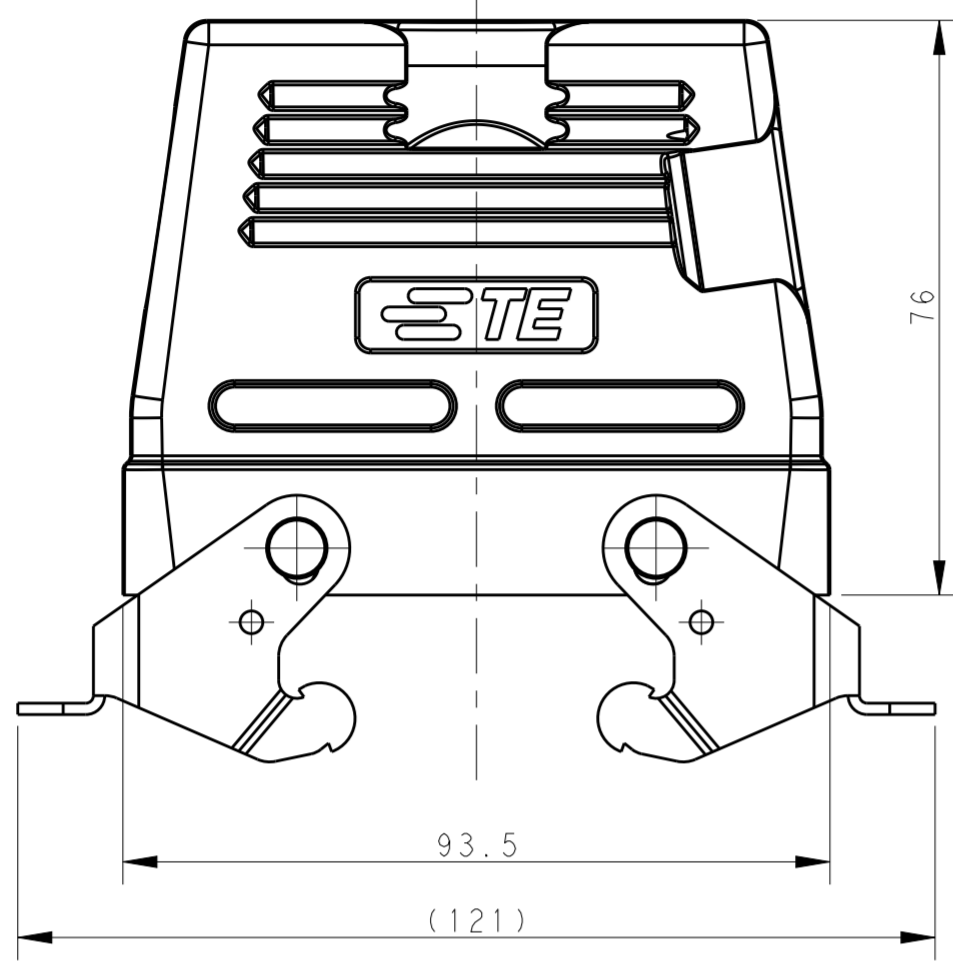


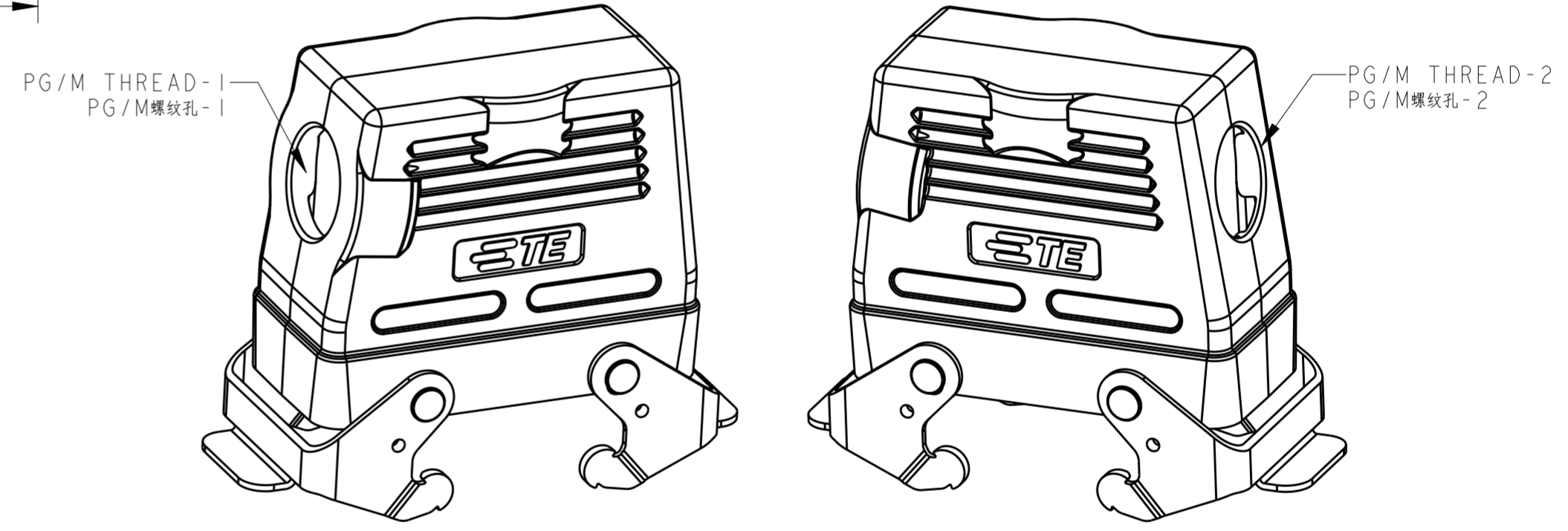
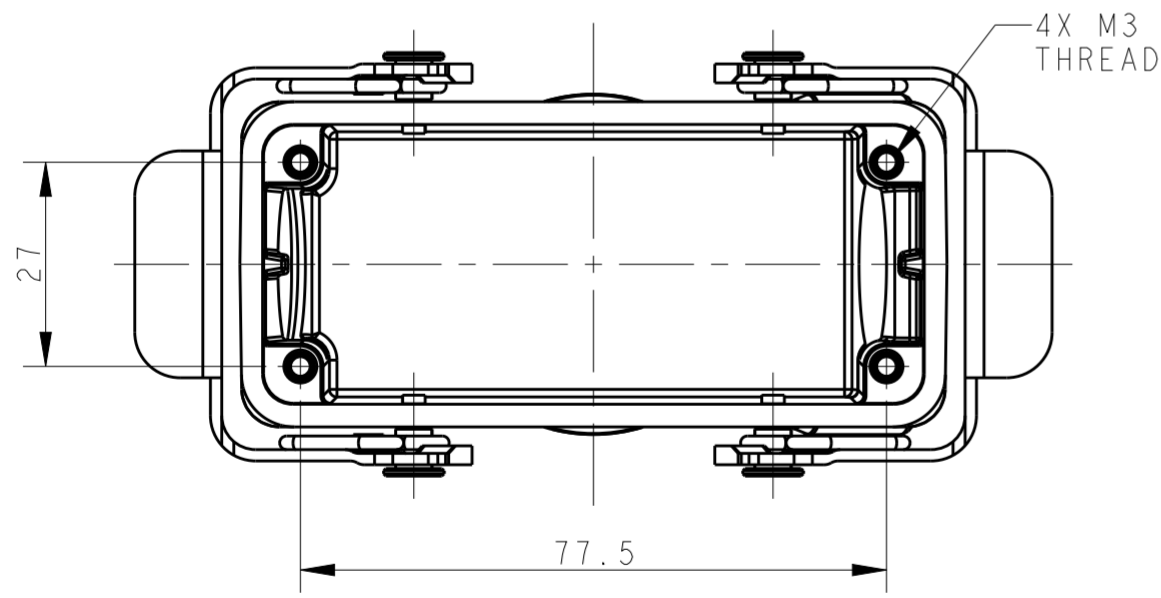
THIS DRAWING IS UNPUBLISHED. RELEASED FOR PUBLICATION 20
 © COPYRIGHT 20 BY - ALL RIGHTS RESERVED.

REVISIONS				
P	LTR	DESCRIPTION	DATE	APVD
	A	INITIAL	15JAN2016	RL CW



NOTES:
 1. TECHNICAL CHARACTERISTICS:
 HOOD MATERIAL: DIE CAST ALUMINIUM ALLOY
 SURFACE: POWDER COATED, GREY
 DEGREE OF PROTECTION: IP65 (MATED)

注释:
 1. 技术参数:
 上壳材料: 铝合金
 表面处理: 粉末涂层, 灰色
 防护等级: IP65(配合)



T1270160221-000	H16B-TSBH-2PG21 H16B上壳(侧出2PG21、彩锌双扣、高结构)	PG21	PG21
T1270160225-000	H16B-TSBH-2M25 H16B上壳(侧出2M25、彩锌双扣、高结构)	M25	M25
T1270160232-000	H16B-TSBH-2M32 H16B上壳(侧出2M32、彩锌双扣、高结构)	M32	M32
PART NUMBER 料号	PART DESCRIPTION 描述	PG/M THREAD-1 PG/M螺纹孔-1	PG/M THREAD-2 PG/M螺纹孔-2

THIS DRAWING IS A CONTROLLED DOCUMENT.

DIMENSIONS: mm	TOLERANCES UNLESS OTHERWISE SPECIFIED: 0 PLC ± 1 PLC ± 2 PLC ± 3 PLC ± 4 PLC ± ANGLES ± FINISH	DWN ROY LIU 15JAN2016 CHK KYLE ZENG 15JAN2016 APVD CHRIS WANG 15JAN2016	STE TE Connectivity
MATERIAL		PRODUCT SPEC 108-137013 APPLICATION SPEC 114-137013 WEIGHT	NAME H16B-TSBH-2M/PG
		Customer Drawing	SIZE A2 CAGE CODE 00779 DRAWING NO. T12701602XX000 RESTRICTED TO
		SCALE 1:1 SHEET 1 OF 1 REV A	