

THIS DRAWING IS UNPUBLISHED.

RELEASED FOR PUBLICATION

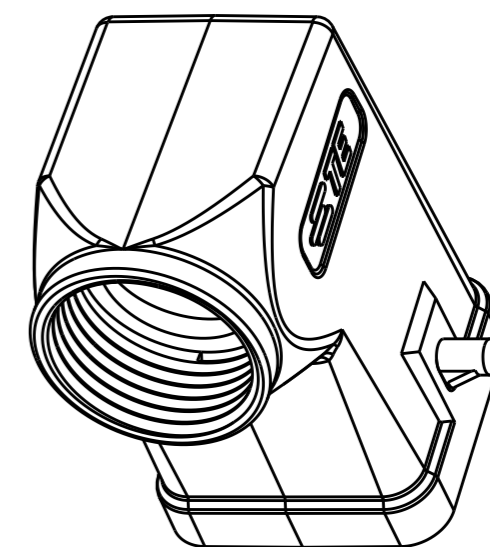
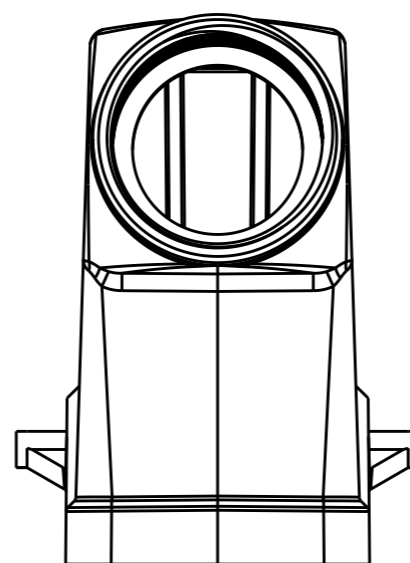
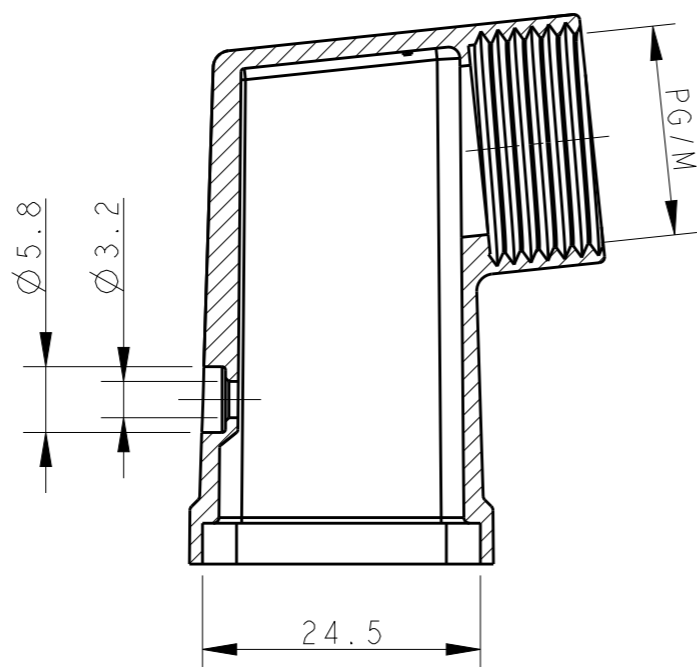
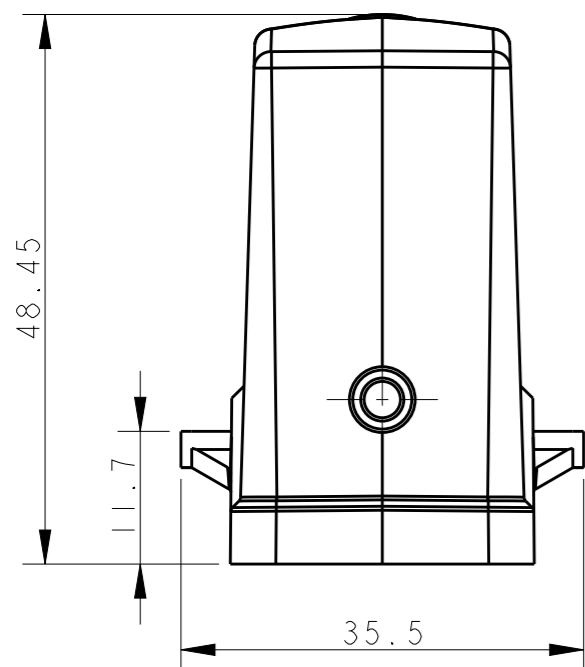
20

© COPYRIGHT 20 BY -

ALL RIGHTS RESERVED.

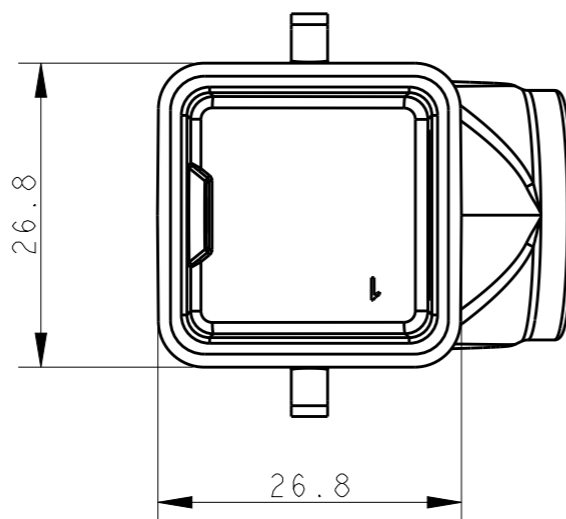
REVISIONS

P	LTR	DESCRIPTION	DATE	DWN	APVD
	A	INITIAL RELEASE	21APR2015	DL	CW
	B	ECR-18-015555	30SEP2018	GY	CW
	C	ECR-18-017120	16MAR2019	BS	CW




NOTES:
 1. TECHNICAL CHARACTERISTICS:
 BODY: PC
 DEGREE OF PROTECTION: IP65 (MATED)

注释:
 1. 技术参数:
 主体材料: PC
 防护等级: IP65(配合)



T1319031111-000	H3A-TS-PG11	H3A PLASTIC HOOD, SIDE ENTRY PG11, 2 EAR, GREY H3A塑料上壳, 侧出PG11, 2耳, 灰色	PG11
T1319031120-000	H3A-TS-M20	H3A PLASTIC HOOD, SIDE ENTRY M20, 2 EAR, GREY H3A塑料上壳, 侧出M20, 2耳, 灰色	M20
PART NUMBER 零件料号	PART DESCRIPTION 零件描述	PG/M THREAD PG/M 螺纹孔	

THIS DRAWING IS A CONTROLLED DOCUMENT.		DWN DAVID LI 21APR2015	 TE Connectivity	
DIMENSIONS: mm		CHK CHRIS WANG 21APR2015		
TOLERANCES UNLESS OTHERWISE SPECIFIED:		APVD XU XIANG 21APR2015	NAME H3A-TS-PG/M	
0 PLC ±- 1 PLC ±- 2 PLC ±- 3 PLC ±- 4 PLC ±- ANGLES ±-		PRODUCT SPEC 108-137134	RESTRICTED TO	
MATERIAL		APPLICATION SPEC 114-137134	SIZE A3	CAGE CODE -
FINISH		WEIGHT -	DRAWING NO C-T13190311XX000	SCALE 3:2
		CUSTOMER DRAWING	SHEET 1	OF 1
			REV C	