

REVISIONS

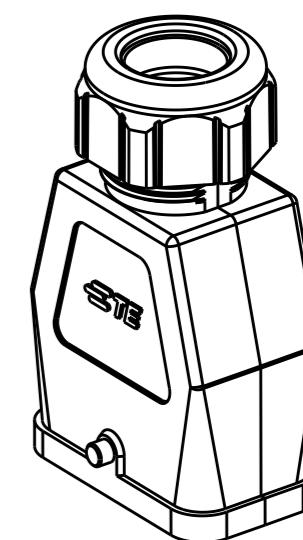
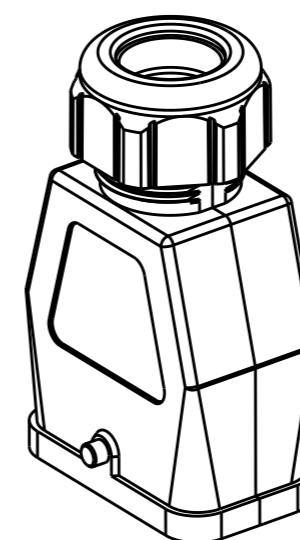
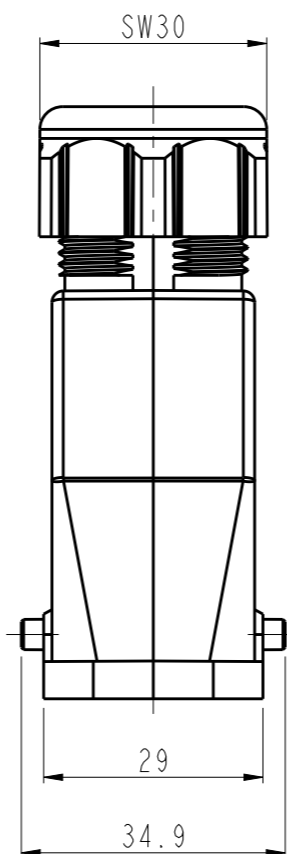
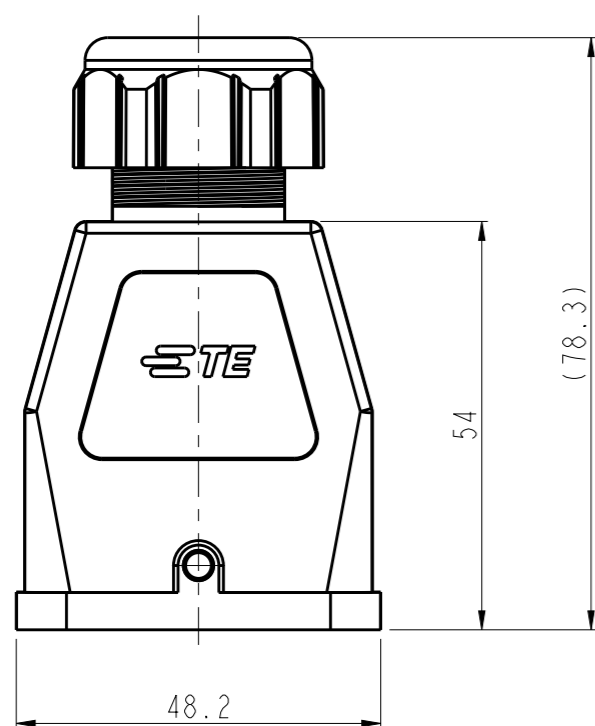
P	LTR	DESCRIPTION	DATE	DWN	APVD
	A	INITIAL	03AUG2017	QY	CW
	A1	ECR-18-000639	17JAN2018	QY	CW

NOTES:

- 1. TECHNICAL CHARACTERISTICS:  
HOOD MATERIAL: POLYAMIDES  
SURFACE COLOR: BLACK  
DEGREE OF PROTECTION: IP65 (MATED)

注释:

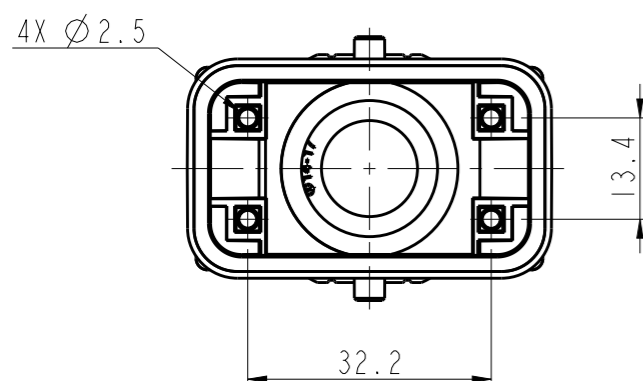
- 1. 技术参数:  
外壳材料: 尼龙  
颜色: 黑色  
防护等级: IP65(配合)




TYPE-2: NO LOGO  
类型-2: 无 LOGO

TYPE-1: TE LOGO  
类型-1: TE LOGO

ALL THE DIMENSION ARE THE SAME WITH TYPE-1,  
EXCEPT THE LOGO.  
除了LOGO, 所有尺寸与类型-1一致.



PART NUMBER 料号	PART DESCRIPTION 描述	TYPE 类型
T1329081125-002	H8A-TG-M25 H8A PLASTIC HOOD, TOP ENTRY M25, 2 EAR, BLACK(14-17), NO LOGO H8A 塑料上壳, 顶出M25, 2耳, 黑色(14-17), 无LOGO	TYPE-2 类型-2
T1329081125-000	H8A-TG-M25 H8A PLASTIC HOOD, TOP ENTRY M25, 2 EAR, BLACK(14-17) H8A 塑料上壳, 顶出M25, 2耳, 黑色(14-17)	TYPE-1 类型-1

THIS DRAWING IS A CONTROLLED DOCUMENT.		DWN 03AUG2017 QIANG YUAN	 TE Connectivity		
DIMENSIONS: mm		CHK 03AUG2017 GINO YAO			
TOLERANCES UNLESS OTHERWISE SPECIFIED: ACC. to ISO 2768-M		APVD 03AUG2017 CHRIS WANG	NAME H8A-TG-M25		
0 PLC ±- 1 PLC ±- 2 PLC ±- 3 PLC ±- 4 PLC ±- ANGLES ±-		PRODUCT SPEC 108-137137	RESTRICTED TO		
MATERIAL		APPLICATION SPEC 114-137137	SIZE A3	CAGE CODE 00779	DRAWING NO G-T1329081125000
FINISH		WEIGHT	SCALE 1:1		SHEET 1
		CUSTOMER DRAWING	REV A1		