

THIS DRAWING IS UNPUBLISHED.

RELEASED FOR PUBLICATION

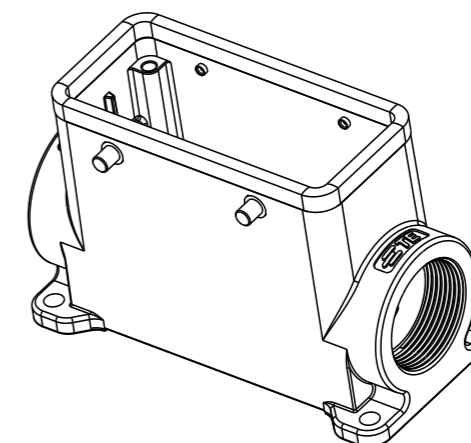
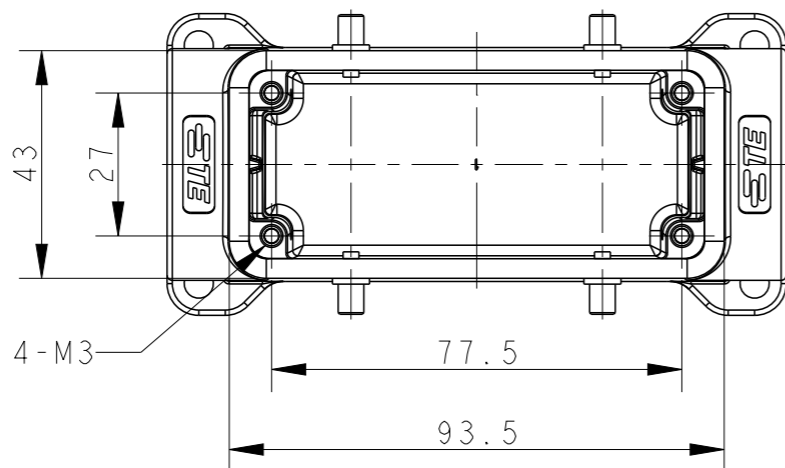
20

© COPYRIGHT 20 BY -

ALL RIGHTS RESERVED.

REVISIONS

P	LTR	DESCRIPTION	DATE	DWN	APVD
	A	INITIAL RELEASE	05JUL2015	DL	CW
	AI	ECR-18-018974	23NOV2018	WQR	CW



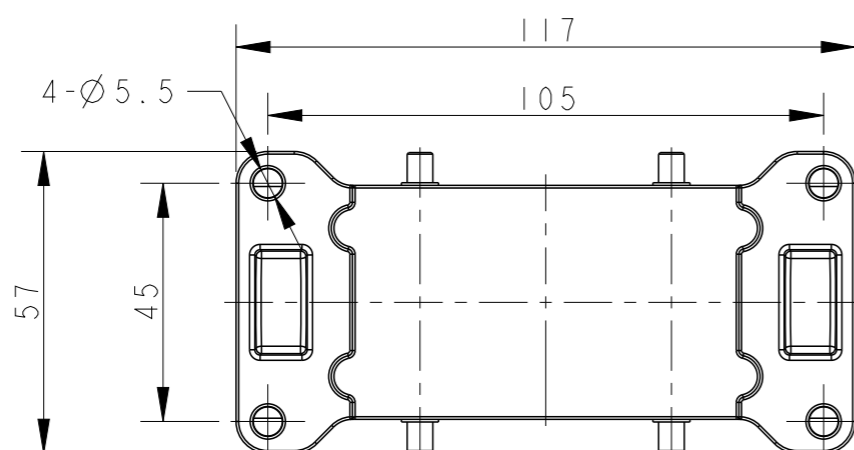
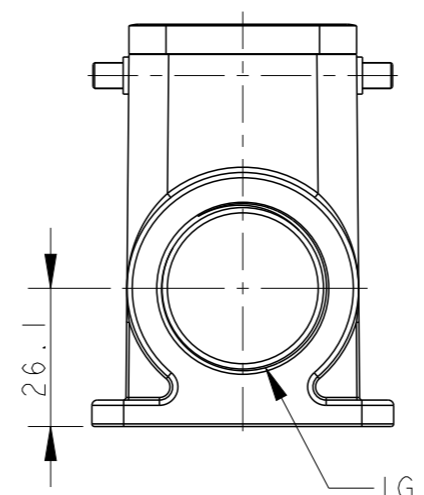
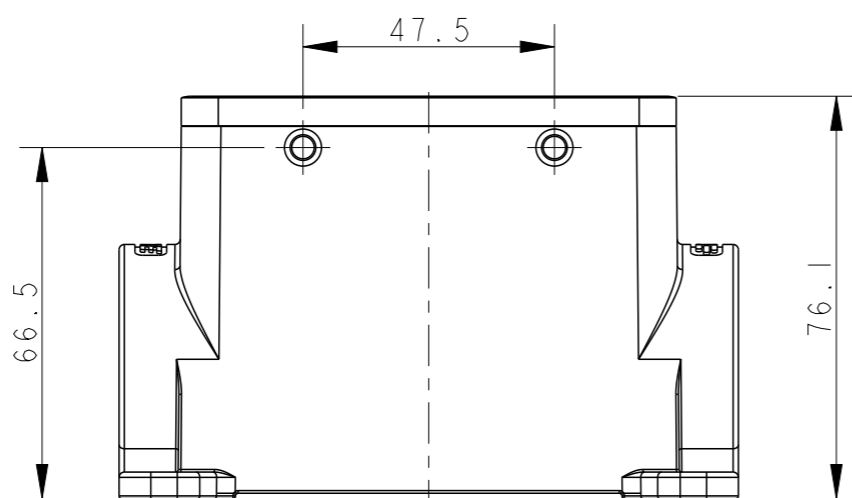
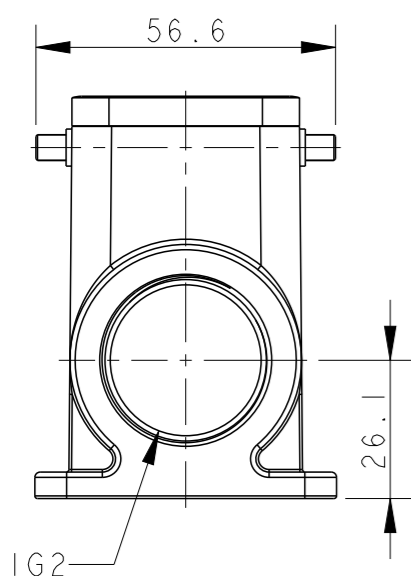
SCALE 1:2

NOTES:

- 1. TECHNICAL CHARACTERISTICS:  
 BODY MATERIAL: DIE CAST ALUMINIUM ALLOY  
 SURFACE TREATMENT: POWDER-COATED, GRAY  
 DEGREE OF PROTECTION: IP65 (MATED)

注释:

- 1. 技术参数:  
 主体材料: 铝合金  
 表面处理: 粉末喷涂, 灰色  
 防护等级: IP65 (配合)



T1480160129-000	H16B-SGRH-BO-PG29	H16B HOUSING, SURFACE MOUNTED, 4 EAR, PG29, HIGH CONSTRUCTION, POWDER COATED, GREY H16B下壳, 表面安装, 4耳, PG29, 高结构, 灰色粉末喷涂	PG29	-
T1480160232-000	H16B-SGRH-BO-2M32	H16B HOUSING, SURFACE MOUNTED, 4 EAR, 2M32, HIGH CONSTRUCTION, POWDER COATED, GREY H16B下壳, 表面安装, 4耳, 2M32, 高结构, 灰色粉末喷涂	M32	M32
PART NUMBER 料号	DESCRIPTION 描述		IG1	IG2

THIS DRAWING IS A CONTROLLED DOCUMENT.

DIMENSIONS:	TOLERANCES UNLESS OTHERWISE SPECIFIED:
mm	
	0 PLC ±-
	1 PLC ±-
	2 PLC ±-
	3 PLC ±-
	4 PLC ±-
	ANGLES ±-
MATERIAL	FINISH
-	-
-	-

DWN	05JUL2015
DAVID LI	
CHK	05JUL2015
CHRIS WANG	
APVD	05JUL2015
XU XIANG	
PRODUCT SPEC	108-137013
APPLICATION SPEC	114-137013
WEIGHT	-
CUSTOMER DRAWING	

TE Connectivity		NAME		H16B-SGRH-BO-PG/M	
		SIZE	CAGE CODE	DRAWING NO	RESTRICTED TO
A3	-	©-T1480160232000			
SCALE		7:10	SHEET	1 OF 1	REV
					AI