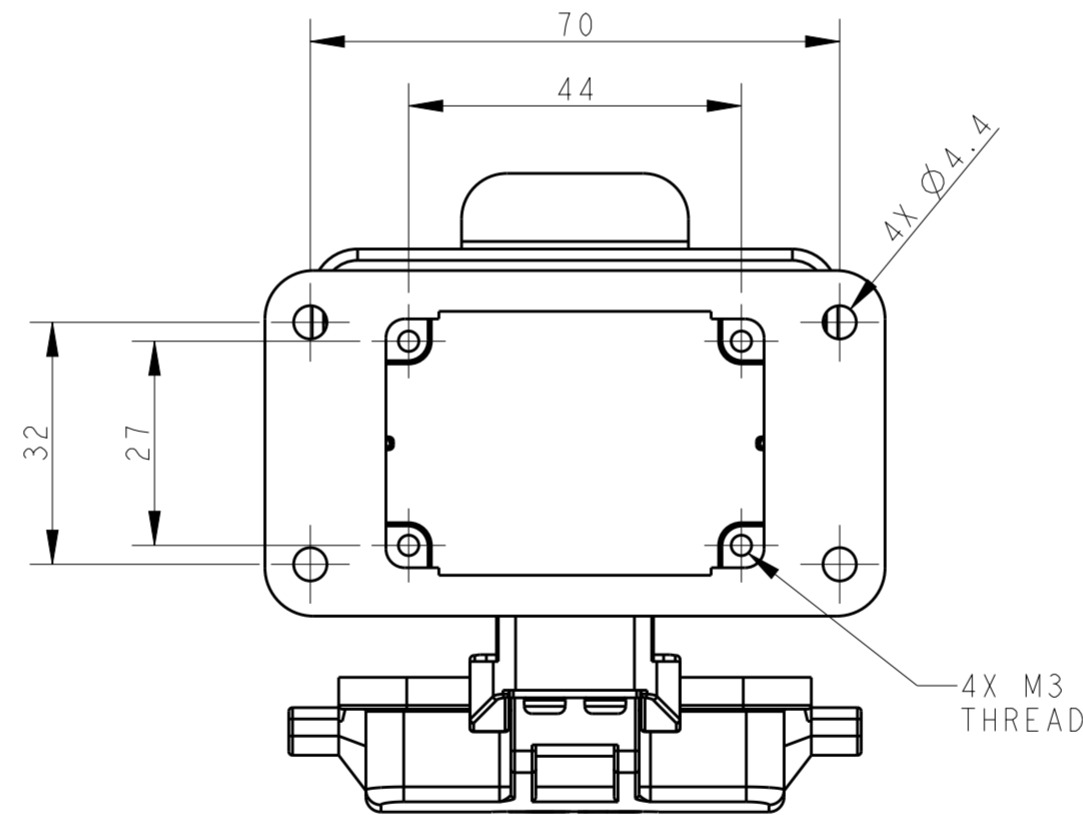
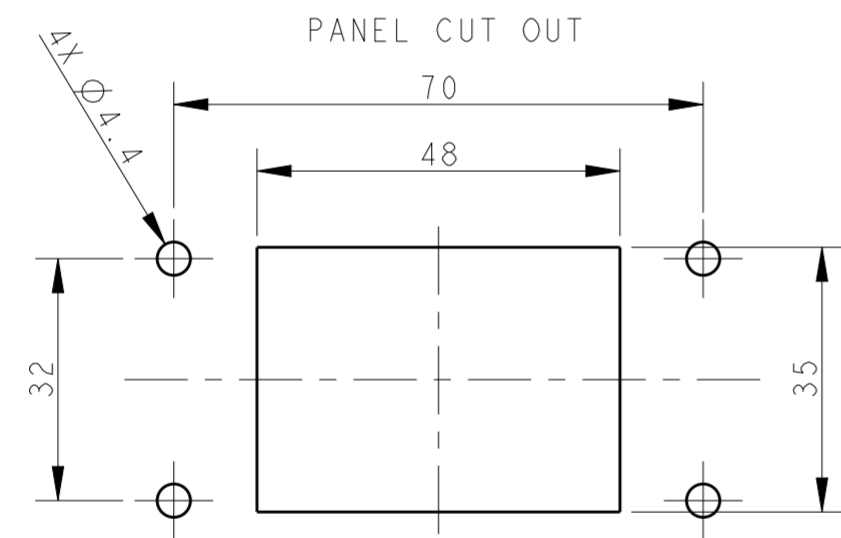
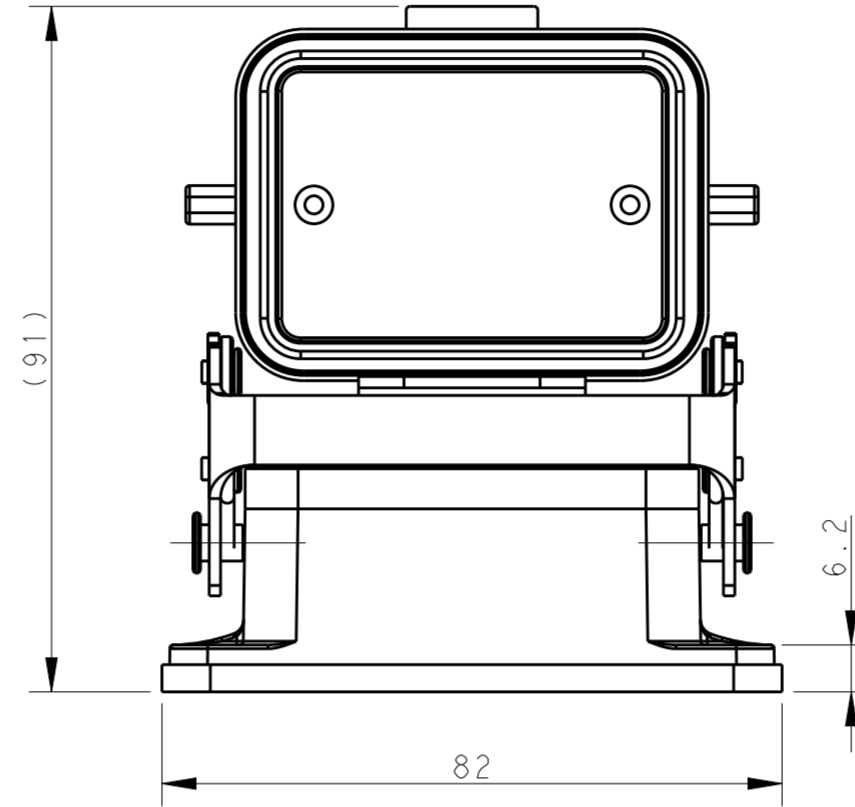
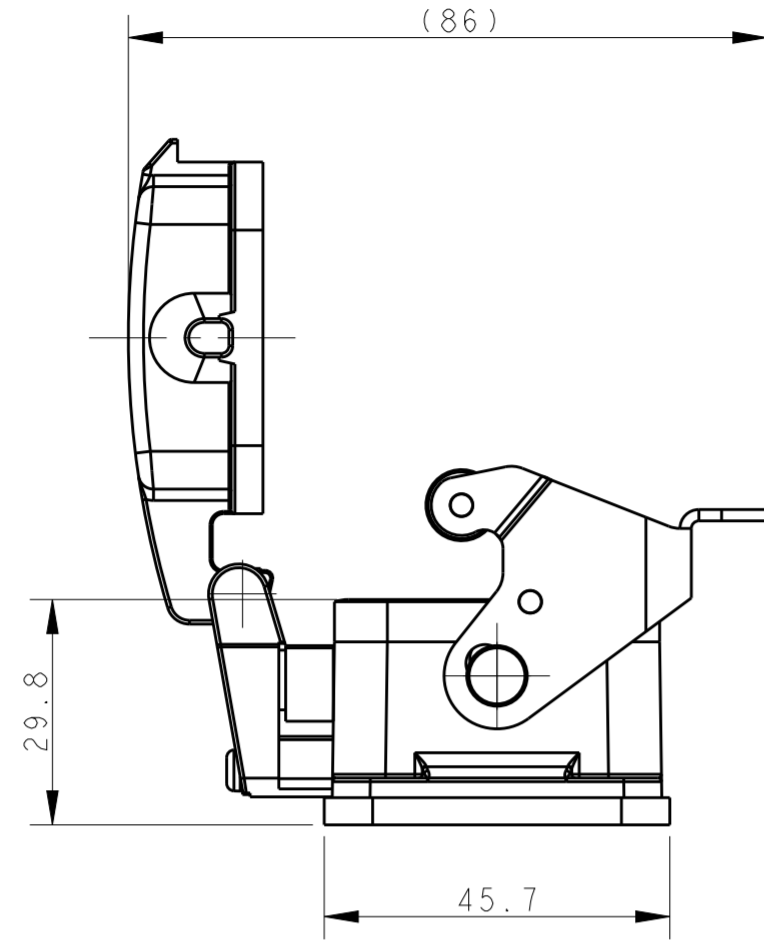


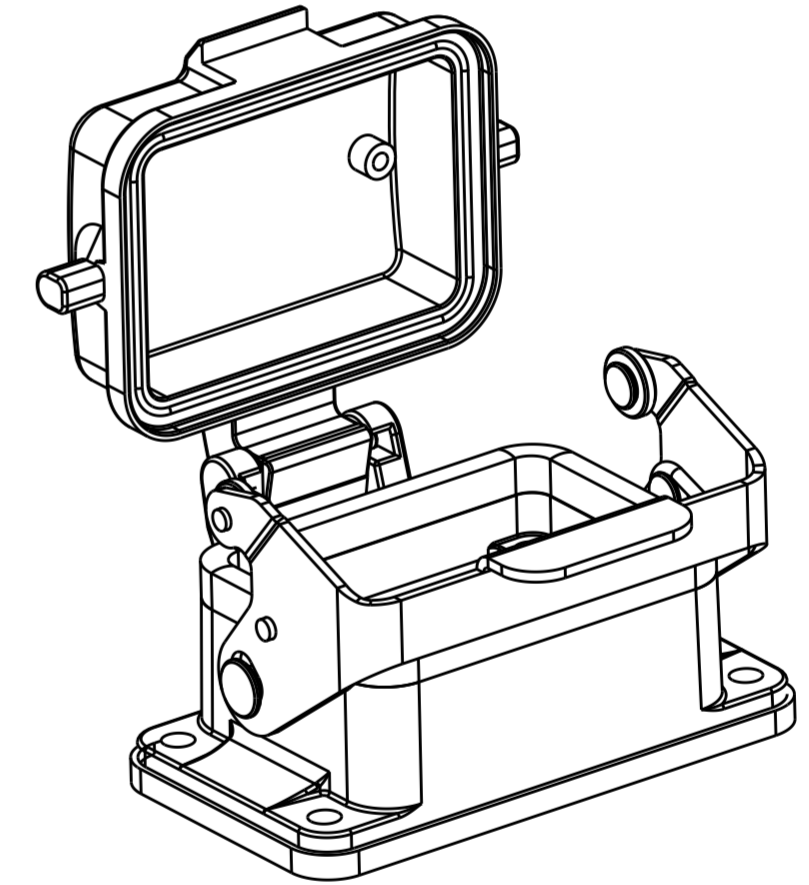
THIS DRAWING IS UNPUBLISHED. RELEASED FOR PUBLICATION 20
 © COPYRIGHT 20 BY - ALL RIGHTS RESERVED.

REVISIONS					
P	LTR	DESCRIPTION	DATE	DWN	APVD
	A	INITIAL	18JUN2015	DW	CW
	A1	ECR-15-012067	10AUG2015	DW	CW
	A2	ECR-18-009563	31OCT2018	CD	CW
	A3	ECR-19-009561	22JUL2019	AL	CW



NOTES:
 1. TECHNICAL CHARACTERISTICS:
 HOUSING MATERIAL: DIE CAST ALUMINIUM ALLOY
 SURFACE: POWDER COATED, GREY
 DEGREE OF PROTECTION: IP65 (MATED)

注释:
 1. 技术参数:
 下壳材料: 铝合金
 表面处理: 粉末涂层, 灰色
 防护等级: IP65 (配合)

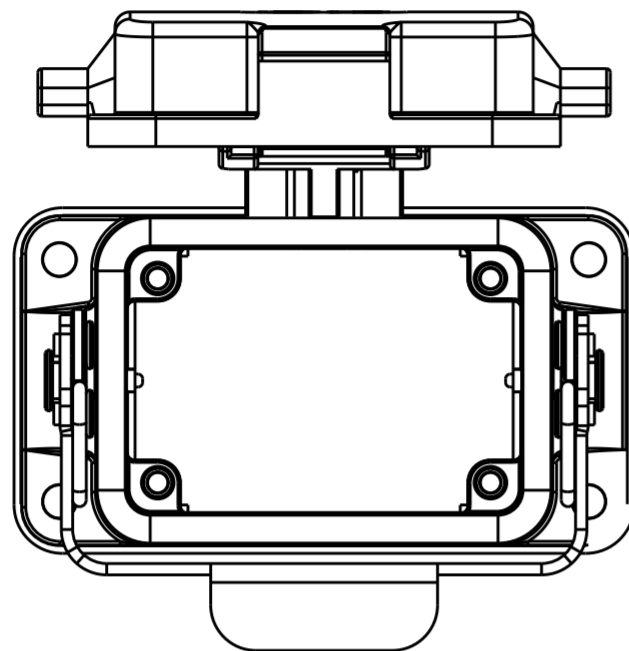


THIS DRAWING IS A CONTROLLED DOCUMENT.		DWN 05JUN2015 David Wang	STE TE Connectivity		
DIMENSIONS: mm		CHK 05JUN2015 Chris Wang			
TOLERANCES UNLESS OTHERWISE SPECIFIED:		APVD 05JUN2015 Xiang Xu	PRODUCT SPEC		
0 PLC ±		108-137013	APPLICATION SPEC		
1 PLC ±		114-137013	RESTRICTED TO		
2 PLC ±		WEIGHT -	SIZE A2	CAGE CODE 00779	DRAWING NO. C-T1510062100000
3 PLC ±		Customer Drawing	SCALE 1:1	SHEET 1 OF 2	REV A3
4 PLC ±					
ANGLES ±					
FINISH -					

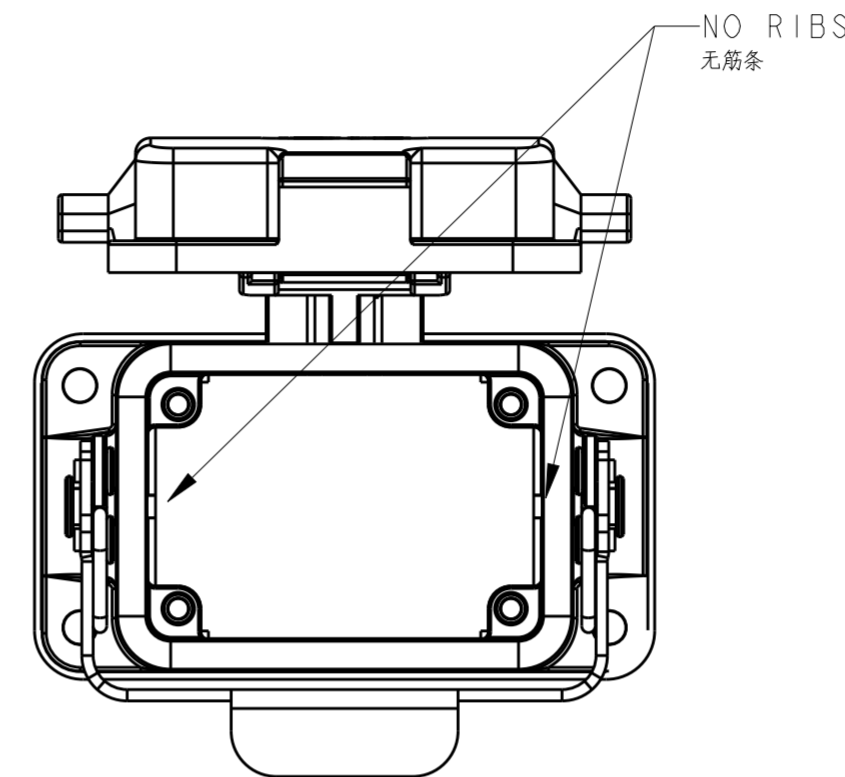
THIS DRAWING IS UNPUBLISHED. RELEASED FOR PUBLICATION 20
 © COPYRIGHT 20 BY - ALL RIGHTS RESERVED.

REVISIONS				
P	LTR	DESCRIPTION	DATE	APVD
-		SEE SHEET 1	-	-

TYPE 1: WITH RIBS
 类型1: 带筋条



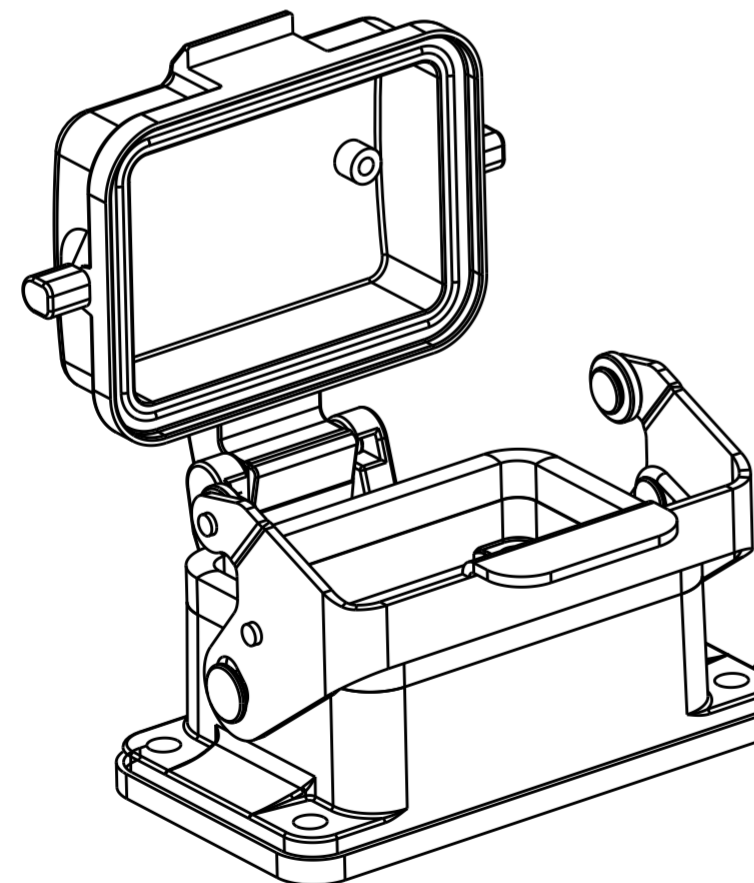
TYPE 2: NO RIBS
 类型2: 无筋条



NOTE:
 SEE SHEET 1
 备注:
 见 SHEET 1

ALL DIMENSIONS ARE SAME AS TYPE 1, EXCEPT NO RIBS.
 除无筋条外, 尺寸与类型1相同。

TYPE 3: WITH GASKET GLUED
 类型3: 胶粘密封垫



GASKET SHOULD BE FULLY GLUED WITH THE HOUSING.
 密封垫圈通过胶水与下壳完全粘结。

ALL SPEC ARE SAME AS TYPE 1, EXCEPT THE GASKET GLUED WITH THE HOUSING.
 除密封垫与下壳胶粘外, 其他特征与类型1相同。

PART NUMBER 料号	H6B-ADS	PART DESCRIPTION 描述	TYPE 类型
T1510062100-100	H6B-ADS	H6B HOUSING, BULKHEAD MOUNTED, STAINLESS STEEL SINGLE LOCKING, PLASTIC PROTECTION COVER, GASKET GLUED, POWDER COATED, GREY H6BT壳, 开孔安装, 不锈钢单扣, 带塑料保护盖, 密封垫用胶固定, 灰色粉末喷涂	TYPE 3 类型3
T1510062100-001	H6B-ADS	H6B HOUSING, NO RIBS, BULKHEAD MOUNTED, STAINLESS STEEL SINGLE LOCKING, PLASTIC PROTECTION COVER, POWDER COATED, GREY H6BT壳, 无筋条, 开孔安装, 不锈钢单扣, 带塑料保护盖, 灰色粉末喷涂	TYPE 2 类型2
T1510062100-000	H6B-ADS	H6B HOUSING, BULKHEAD MOUNTED, STAINLESS STEEL SINGLE LOCKING, PLASTIC PROTECTION COVER, POWDER COATED, GREY H6BT壳, 开孔安装, 不锈钢单扣, 带塑料保护盖, 灰色粉末喷涂	TYPE 1 类型1

THIS DRAWING IS A CONTROLLED DOCUMENT.		DWN 05JUN2015 David Wang	TE Connectivity
		CHK 05JUN2015 Chris Wang	
		APVD 05JUN2015 Xiang Xu	
		PRODUCT SPEC 108-137013	
DIMENSIONS: mm 		APPLICATION SPEC 114-137013	NAME H6B-ADS
TOLERANCES UNLESS OTHERWISE SPECIFIED: 0 PLC ± 1 PLC ± 2 PLC ± 3 PLC ± 4 PLC ± ANGLES ± FINISH -		WEIGHT -	SIZE CAGE CODE DRAWING NO RESTRICTED TO A200779 C-T1510062100000 -
MATERIAL -		Customer Drawing	SCALE 1:1 SHEET 2 OF 2 REV A3