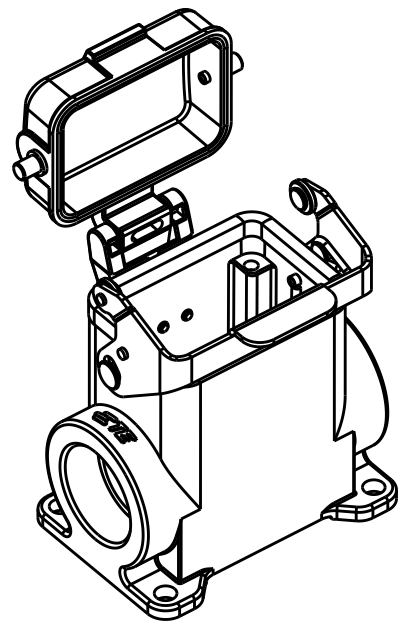
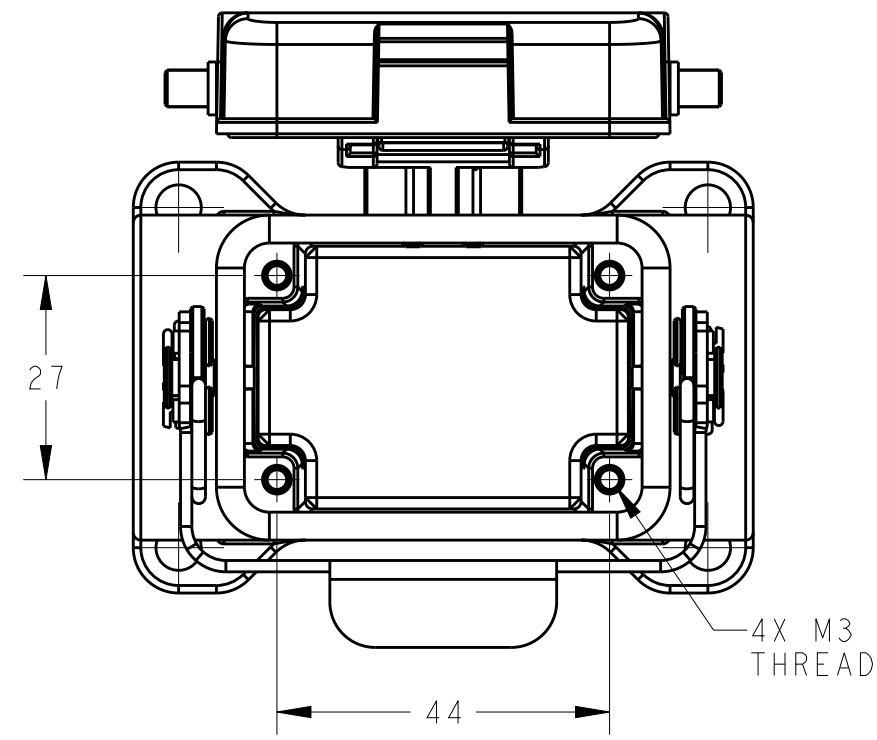


THIS DRAWING IS UNPUBLISHED. RELEASED FOR PUBLICATION 20
 © COPYRIGHT 20 BY - ALL RIGHTS RESERVED.

REVISIONS				
P	LTR	DESCRIPTION	DATE	APVD
	A	INITIAL	23JUN2015	DW CW
	A1	ECR-19-000748	17JAN2019	RG CW

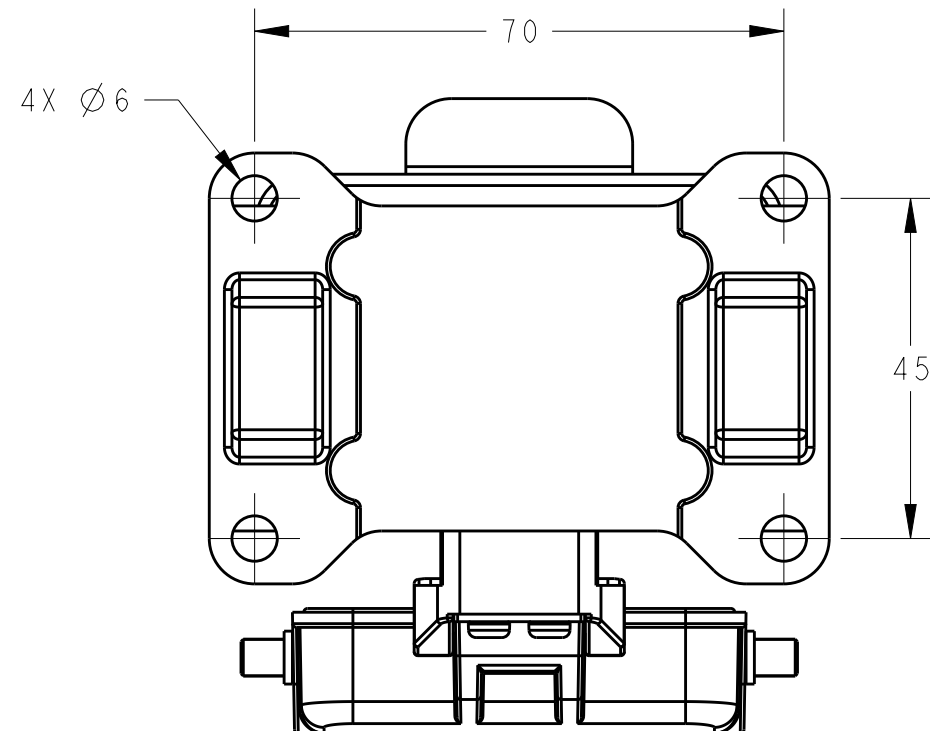
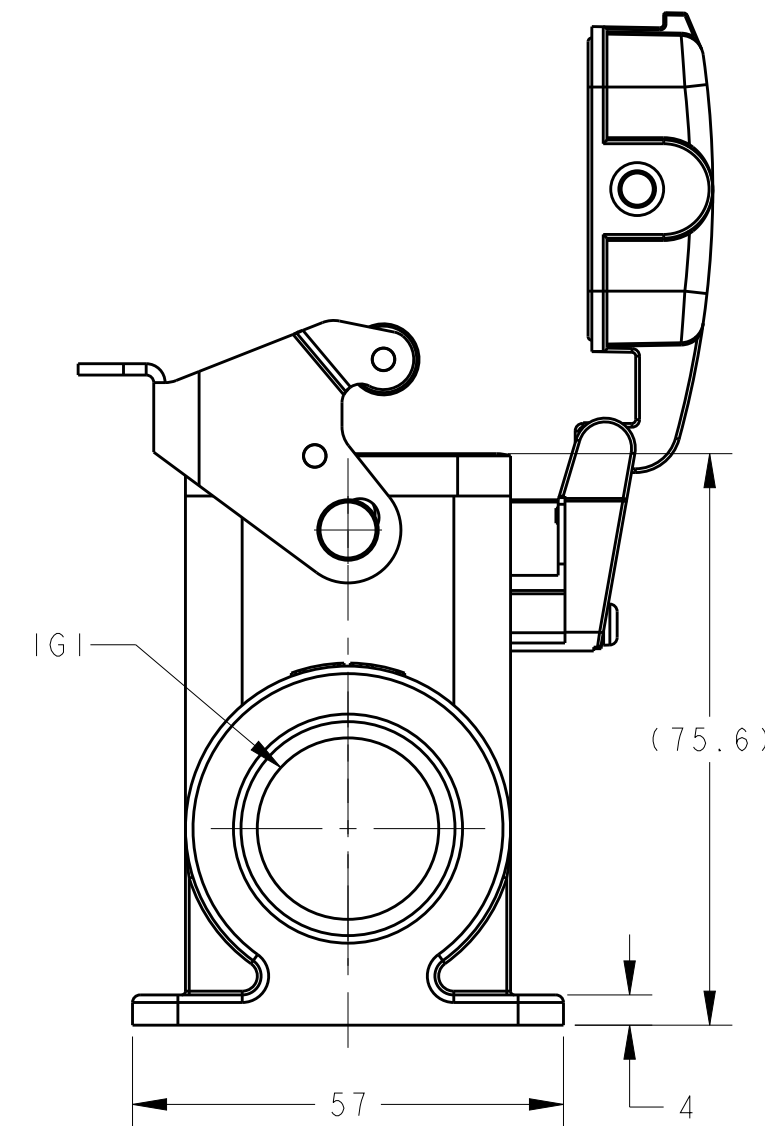
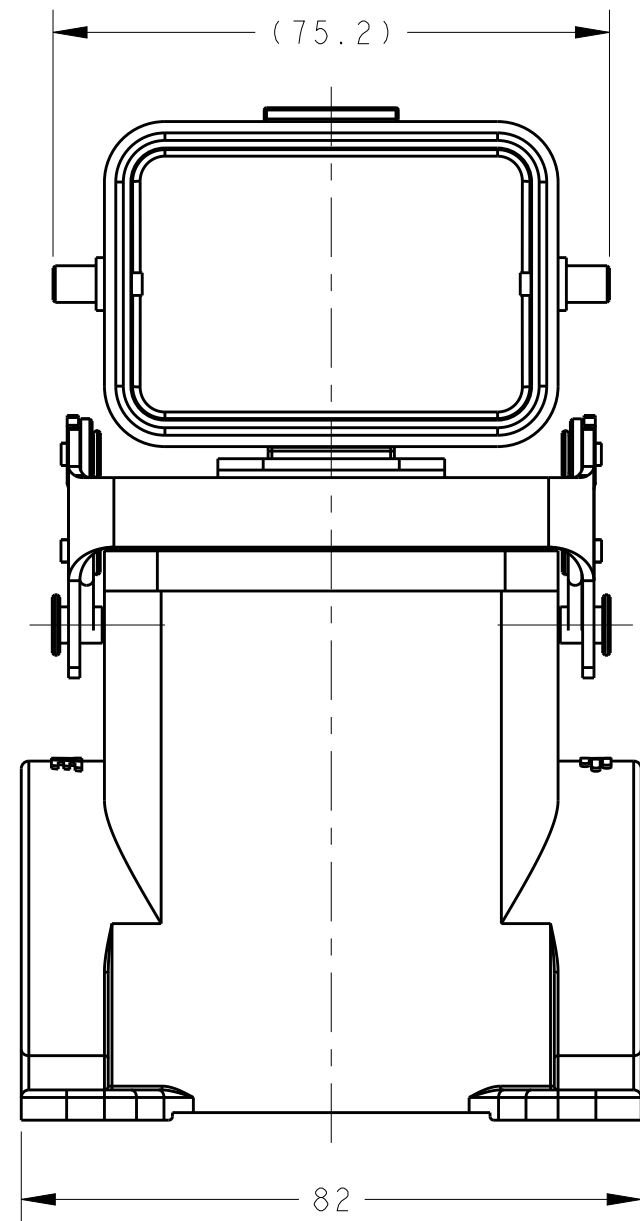
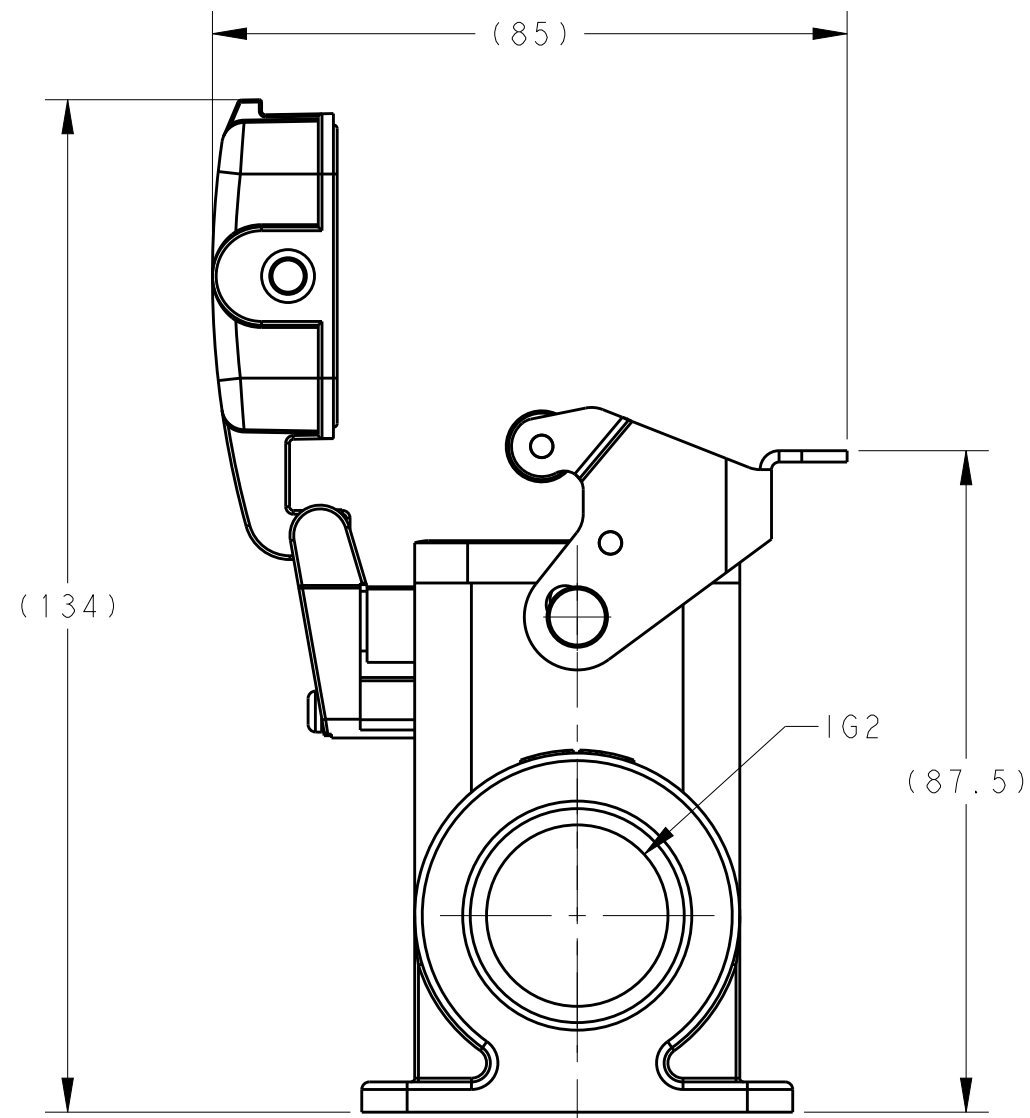


SCALE 1:2



NOTES:
 1. TECHNICAL CHARACTERISTICS:
 HOUSING MATERIAL: DIE CAST ALUMINIUM ALLOY
 SURFACE: POWDER COATED, GREY
 OPERATION TEMPERATURE: -40-+125°C
 DEGREE OF PROTECTION: IP65 (MATED)

注释:
 1. 技术参数:
 表面安装下壳材料: 铝合金
 表面处理: 粉末涂层, 灰色
 工作温度: -40-+125°C
 防护等级: IP65(配合)



T1660062321-000	H6B-SDRHMS-PG21	PG21	-
T1660062329-000	H6B-SDRHMS-PG29	PG29	-
T1660062332-000	H6B-SDRHMS-M32	M32	-
T1660062325-000	H6B-SDRHMS-M25	M25	-
T1660062421-000	H6B-SDRHMS-2PG21	PG21	PG21
T1660062429-000	H6B-SDRHMS-2PG29	PG29	PG29
T1660062432-000	H6B-SDRHMS-2M32	M32	M32
PART NUMBER	DESCRIPTION	IG1	IG2

THIS DRAWING IS A CONTROLLED DOCUMENT.		DWN 23JUN2015 David Wang	TE Connectivity	
		CHK 23JUN2015 Chris Wang		
		APVD 23JUN2015 Xiang Xu	NAME H6B-SDRHMS-M/PG	
DIMENSIONS: mm		PRODUCT SPEC 108-137013		SIZE A2
TOLERANCES UNLESS OTHERWISE SPECIFIED: 0 PLC ± 1 PLC ± 2 PLC ± 3 PLC ± 4 PLC ± ANGLES ± FINISH		APPLICATION SPEC 114-137013		CAGE CODE A200779
MATERIAL -		WEIGHT -		DRAWING NO C-T1660062XXX000
		Customer Drawing		RESTRICTED TO -
		SCALE 1:1		SHEET 1 OF 1
				REV A1