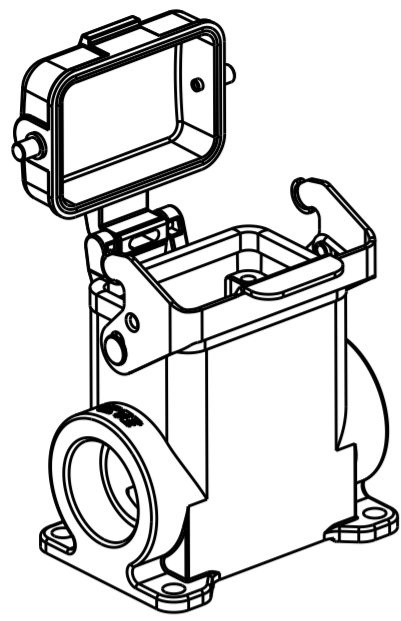
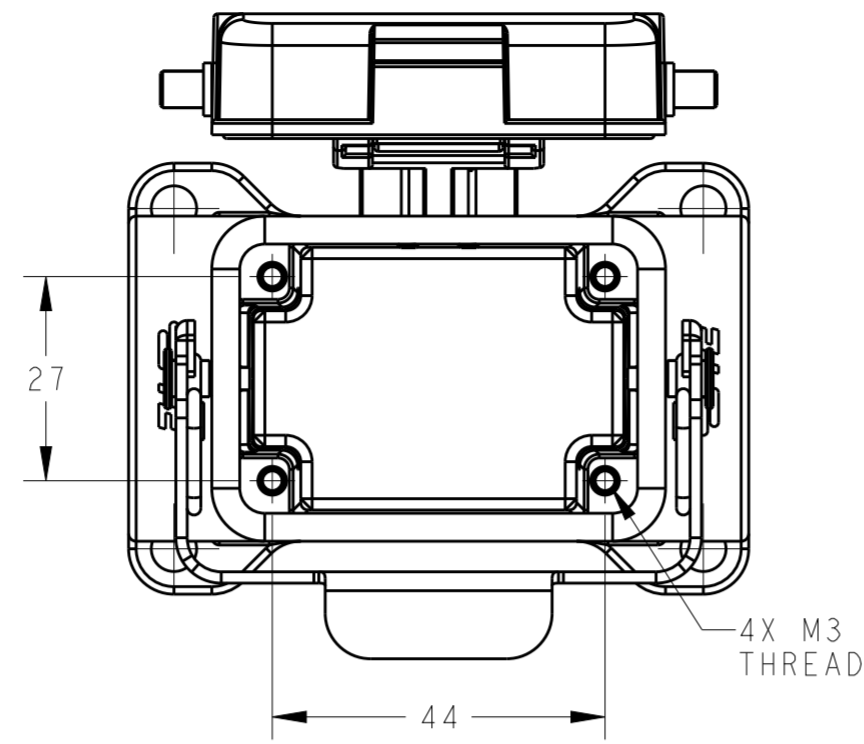


THIS DRAWING IS UNPUBLISHED. RELEASED FOR PUBLICATION 20
 © COPYRIGHT 20 BY - ALL RIGHTS RESERVED.

REVISIONS				
P	LTR	DESCRIPTION	DATE	APVD
	A	INITIAL	23JUN2015	DW CW
	A1	ECR-19-001029	23JAN2019	RG CW

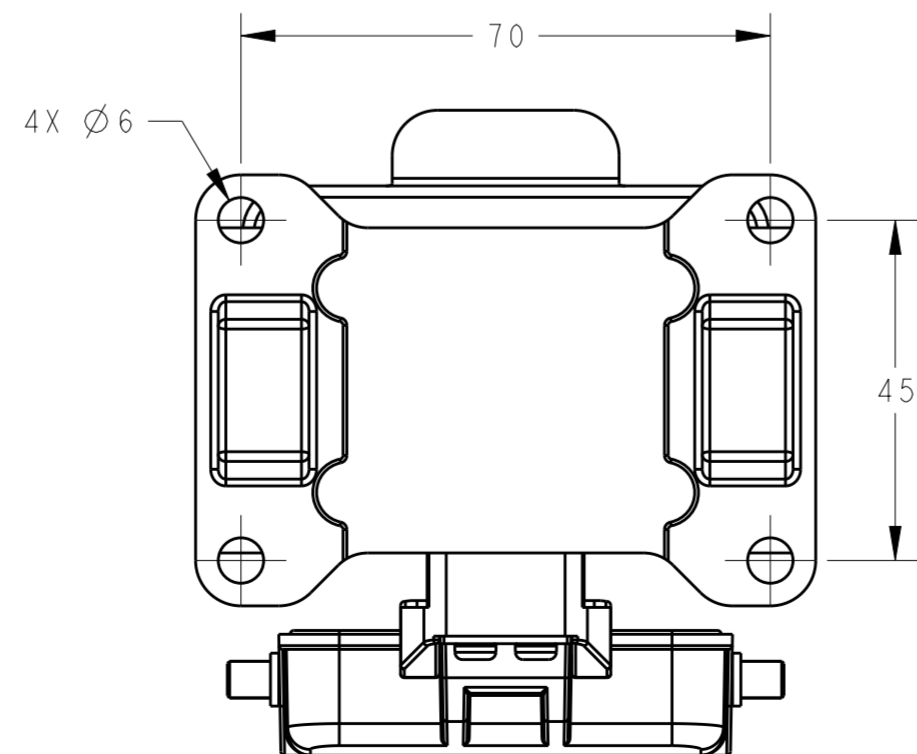
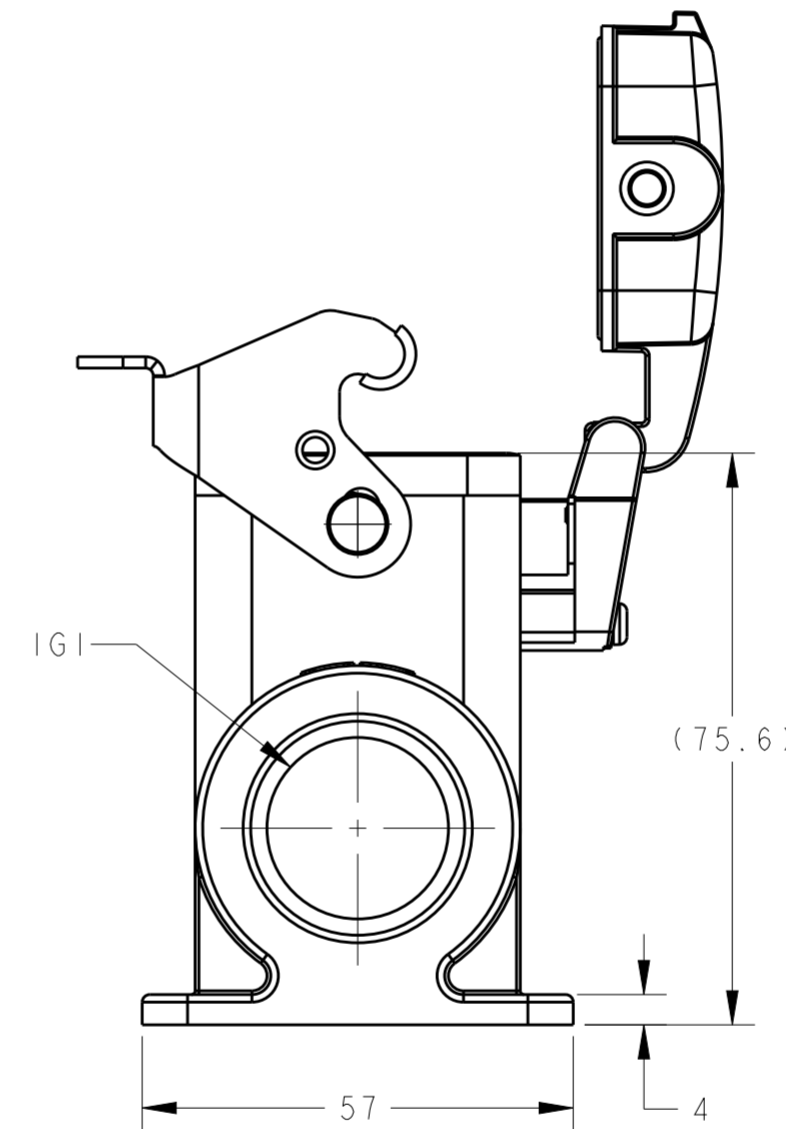
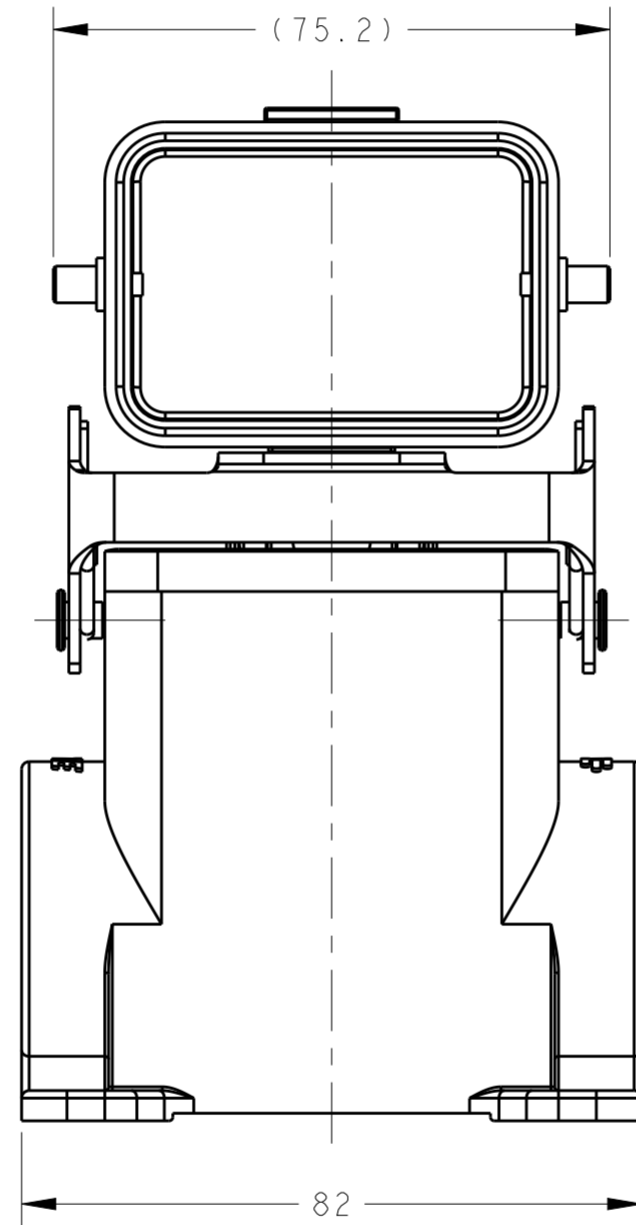
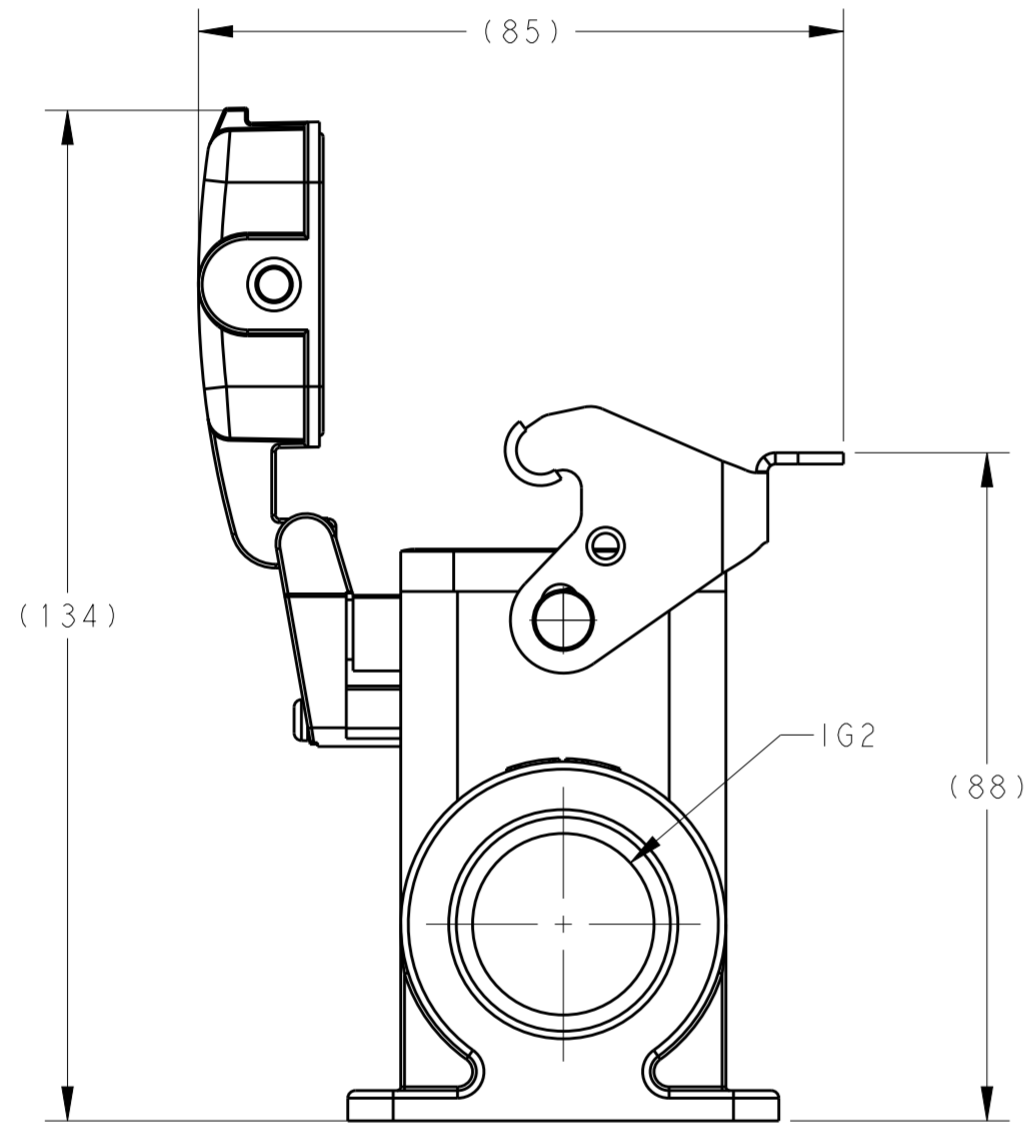


SCALE 1:2



NOTES:
 1. TECHNICAL CHARACTERISTICS:
 HOUSING MATERIAL: DIE CAST ALUMINIUM ALLOY
 SURFACE: POWDER COATED, GREY
 OPERATION TEMPERATURE: -40-+125°C
 DEGREE OF PROTECTION: IP65 (MATED)

注释:
 1. 技术参数:
 表面安装下壳材料: 铝合金
 表面处理: 粉末涂层, 灰色
 工作温度: -40-+125°C
 防护等级: IP65(配合)



PART NUMBER	DESCRIPTION	IG1	IG2
T1660063321-000	H6B-SDRHM-PG21	PG21	-
T1660063329-000	H6B-SDRHM-PG29	PG29	-
T1660063332-000	H6B-SDRHM-M32	M32	-
T1660063325-000	H6B-SDRHM-M25	M25	-
T1660060220-000	H6B-SDRHM-2M20	M20	M20
T1660063421-000	H6B-SDRHM-2PG21	PG21	PG21
T1660063429-000	H6B-SDRHM-2PG29	PG29	PG29
T1660063432-000	H6B-SDRHM-2M32	M32	M32

THIS DRAWING IS A CONTROLLED DOCUMENT.

DWN	23JUN2015	David Wang
CHK	23JUN2015	Chris Wang
APVD	23JUN2015	Xiang Xu

PRODUCT SPEC: 108-137013
 APPLICATION SPEC: 114-137013

Customer Drawing

TE Connectivity

NAME: H6B-SDRHM-M/PG

SIZE: A2 CAGE CODE: 00779 DRAWING NO: T166006XXXX000 RESTRICTED TO: -

SCALE: 1:1 SHEET: 1 OF 1 REV: A1