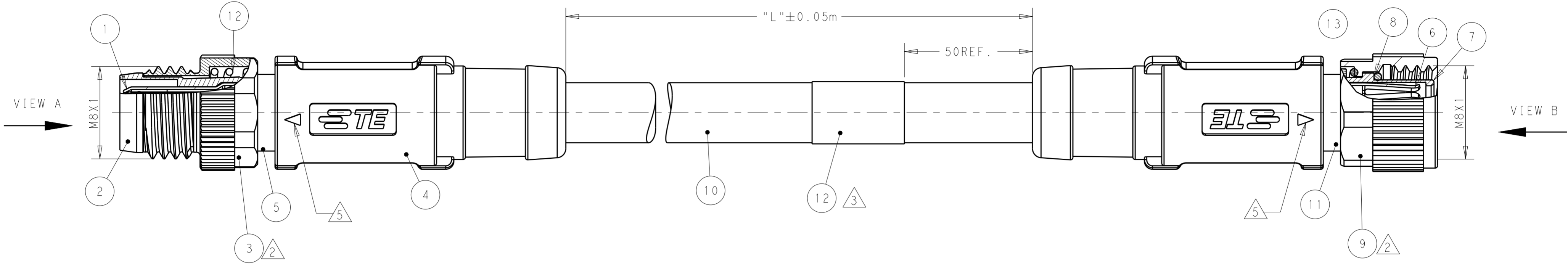


THIS DRAWING IS UNPUBLISHED. RELEASED FOR PUBLICATION 20  
 © COPYRIGHT 20 BY - ALL RIGHTS RESERVED.

REVISIONS				
P	LTR	DESCRIPTION	DATE	DWN APVD
A		INITIAL RELEASE	02MAR2016	N.P X.X
A1		ECR-17-003823 , ADD NEW PN	20MAR2017	BP CW



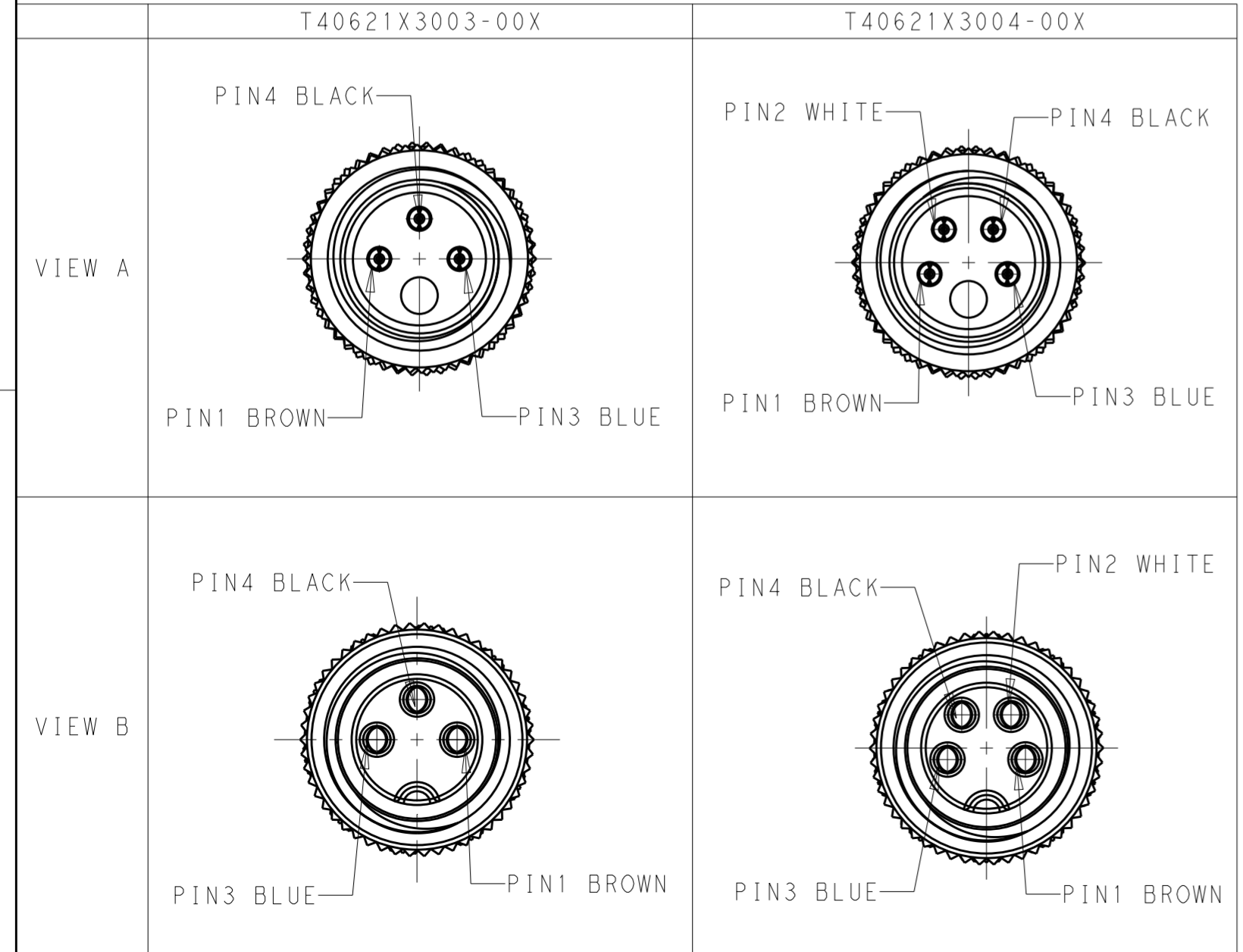
NOTES:

- |   |   |
|---|---|
| 1. TECHNICAL DATA: SEE TABLE 1;                               | 1. 技术参数: 见表1;                               |
| 2. RECOMMEND TORQUE 0.4Nm;                                    | 2. 推荐扭矩0.4Nm;                               |
| 3. TE LABEL AREA;   | 3. TE 标签位置;                                 |
| 4. -** : CABLE LENGHT. -0.5:0.5m, -1.0:1.0m, -1.5:1.5m...;    | 4. -** 线长: -0.5:0.5m, -1.0:1.0m, -1.5:1.5m; |
| 5. INSERT MARK FOR MATING;                                    | 5. 产品对插标示;                                  |
| 6. ALL PRODUCT MUST COMPLIANCE WITH ROHS AND REACH;           | 6. 产品必须符合ROHS与REACH;                        |
| 7. -00X: FOR CABLE LENGTH, SEE TABLE E AND REFER TO LENGH"L". | 7. -00X: 线缆长度, 参考表2, 参照长度"L".               |

TABLE 1

TECHNICAL DATA	T40621X3003-00X	T40621X3004-00X
RATED VOLTAGE	60V	30V
RATED CURRENT	3A	
POLLETION DEGREE	3	
OVERVOLTAGE CATEGORY	II	
MATERIAL GROUP	II	
DEGREE OF PROTECTION	IP67	

-	-	TE LABEL	14
-	STEEL	WAVE WASHER	13
-	STEEL	SPRING	12
-	BRASS	SHIELDING	11
-	-	CABLE	10
-	COPPER ALLOY	COUPLING NUT	9
GRAY COLOR	RUBBER	O-RING	8
BALCK COLOR	PA66	HOUSING	7
GOLD FLASH	COPPER ALLOY	CONTACT	6
-	COPPER ALLOY	SHIELDING	5
BLUE COLOR	POLYURETHANE	OVER-MOLDING	4
-	COPPER ALLOY	COUPLING NUT	3
BALCK COLOR	PA66	HOUSING	2
GOLD FLASH	COPPER ALLOY	CONTACT	1
COMMENTS	MATERIAL	DESCRIPITON	ITEM



WIRES	LENGTH "L"	RECOMMEND OPERATION TEMPERATURE FOR CABLE	JACKET COLOR	JACKET MATERIAL	TYPE	POS.	PART NUMBER
WIRES: 0.34mm <sup>2</sup> (22AWG)	-001: 0.5m -002: 1.0m -003: 1.5m -004: 3.0m -005: 5.0m -006: 7.0m -007: 10.0m	FIXED: -25°C~80°C FLXIBLE: -10°C~80°C	GRAY	PUR (UL)	RPC-M8-4MS-***SHS0.34-M8-4FS-PUR	4	T4062143004-00X
		FIXED: -10°C~80°C FLXIBLE: -5°C~80°C	BLACK	PVC (UL)	RPC-M8-3MS-***SHS0.34-M8-3FS-PUR	4	T4062143003-00X
WIRES: 0.25mm <sup>2</sup> (24AWG)		FIXED: -25°C~80°C FLXIBLE: -10°C~80°C	GRAY	PUR (UL)	RPC-M8-4MS-***SH-M8-4FS-PUR	4	T4062123004-00X
		FIXED: -10°C~80°C FLXIBLE: -5°C~80°C	BLACK	PVC (UL)	RPC-M8-3MS-***SH-M8-3FS-PUR	4	T4062123003-00X

THIS DRAWING IS A CONTROLLED DOCUMENT.

DIMENSIONS: mm

TOLERANCES UNLESS OTHERWISE SPECIFIED:

0 PLC	±	0.50
1 PLC	±	0.35
2 PLC	±	0.35
3 PLC	±	0.35
4 PLC	±	0.35
ANGLES	±	
FINISH	±	

APVD: Xiang Xu 23FEB2016

NAME: M8 CABLE ASSEMBLY SHIELDED TYPE DOUBLE ENDED

SIZE: A2

SCALE: 1:1

SHEET 1 OF 1

REV A1