

THIS DRAWING IS UNPUBLISHED. RELEASED FOR PUBLICATION 20  
 © COPYRIGHT 20 BY - ALL RIGHTS RESERVED.

REVISIONS					
P	LTR	DESCRIPTION	DATE	DWN	APVD
B		ECR-16-010100	14JUL2016	L.Z	X.X
B1		ECR-18-008476	08JUN2018	G.W	C.W
C		ECR-19-009136	27JUL2019	C.D	C.W

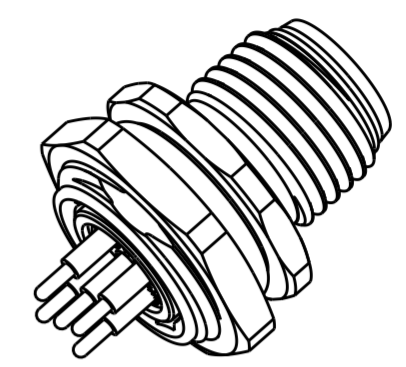
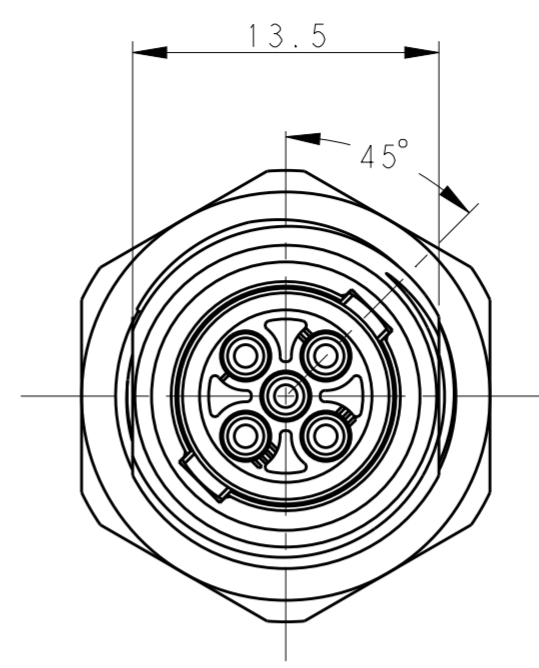
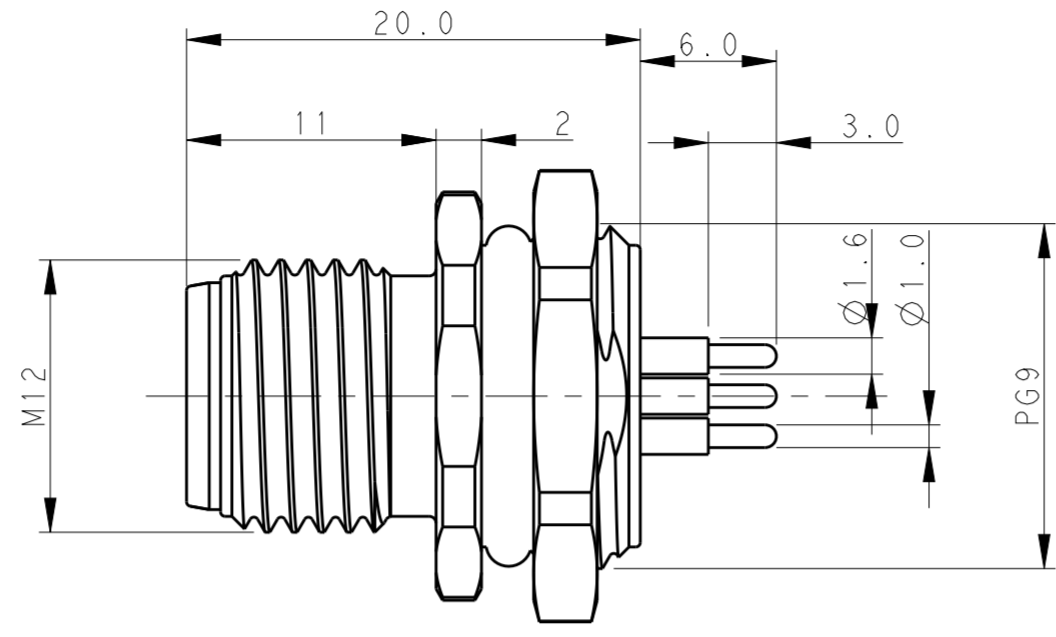
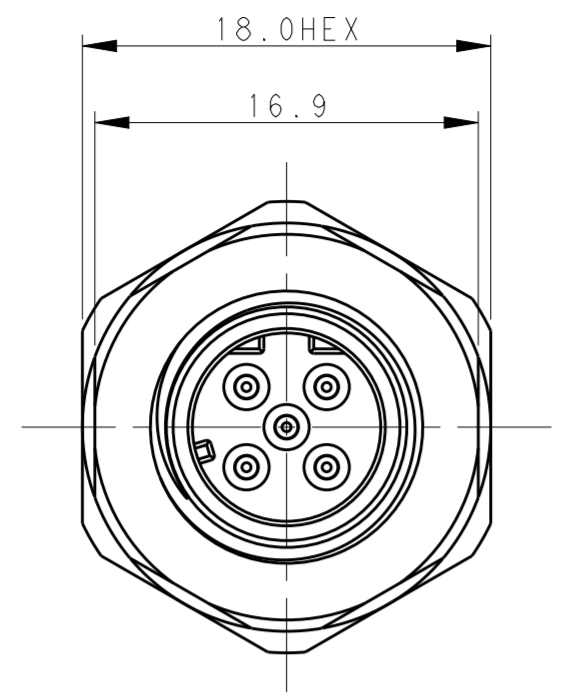
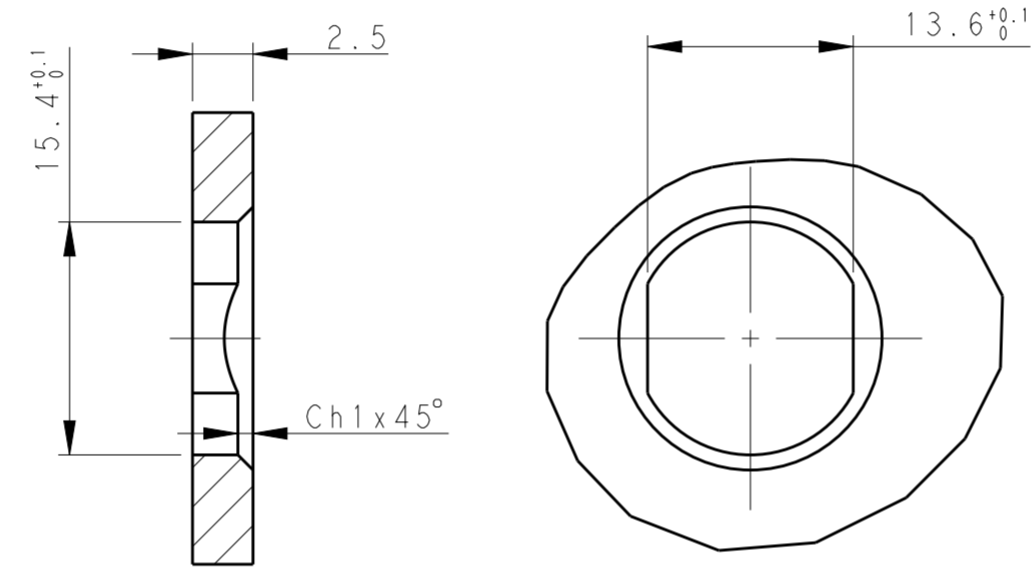


TABLE 1

TECHNICAL DATA	T4142512021-000	T4142512031-000	T4142512041-000	T4142512051-000
RATED VOLTAGE	250V	250V	250V	60V
RATED CURRENT	4A	4A	4A	4A
POLLUTION DEGREE	3	3	3	3
OVERVOLTAGE CATEGORY	II	II	II	II
MATERIAL GROUP	II	II	II	II
CONTACT RESISTANCE	<=10mΩ	<=10mΩ	<=10mΩ	<=10mΩ
INSULATION RESISTANCE	>100MΩ	>100MΩ	>100MΩ	>100MΩ
DEGREE OF PROTECTION	IP67	IP67	IP67	IP67
OPERATION TEMPERATURE	-40~85°C	-40~85°C	-40~85°C	-40~85°C



RECOMMENDED PANEL CUTOUT

NOTE:  
 1. TECHNICAL DATA: SEE TABLE 1  
 2. RECOMMENDED MOUNT PANEL SEE DETAIL  
 3. PRODUCT COMPLIES WITH IEC61076-2-101  
 4. ALL MATERIALS TO BE ROHS COMPLIANT  
 5. ALL MATERIALS TO BE REACH COMPLIANT  
 6. PN INFORMATION FOR ASSEMBLY PARTS

注释:  
 1: 技术参数, 见表1  
 2: 推荐开孔尺寸详见如图所示  
 3: 产品符合标准 IEC61076-2-101  
 4: 所有材料符合ROHS参照标准 TEC-138-705  
 5: 所有材料符合REACH参照标准 TEC-138-705  
 6: 成品料号信息如下:

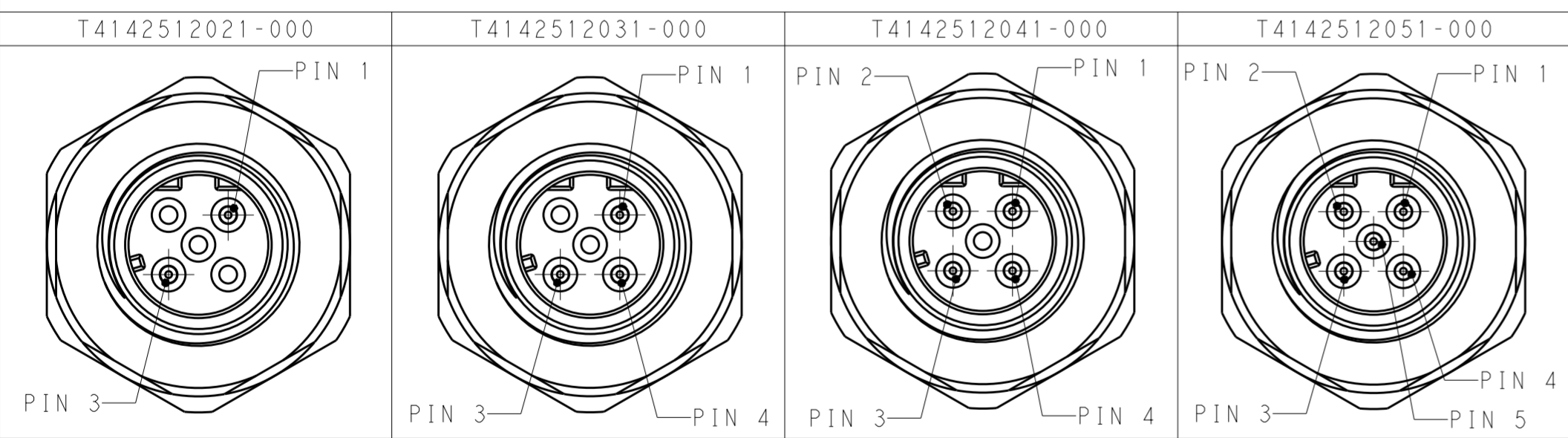
T41425120X1-000

CONTACT FINISH:  
 1: GOLD 3u''  
 NUMBER OF PINS:  
 02: 2 PINS  
 03: 3 PINS  
 04: 4 PINS  
 05: 5 PINS

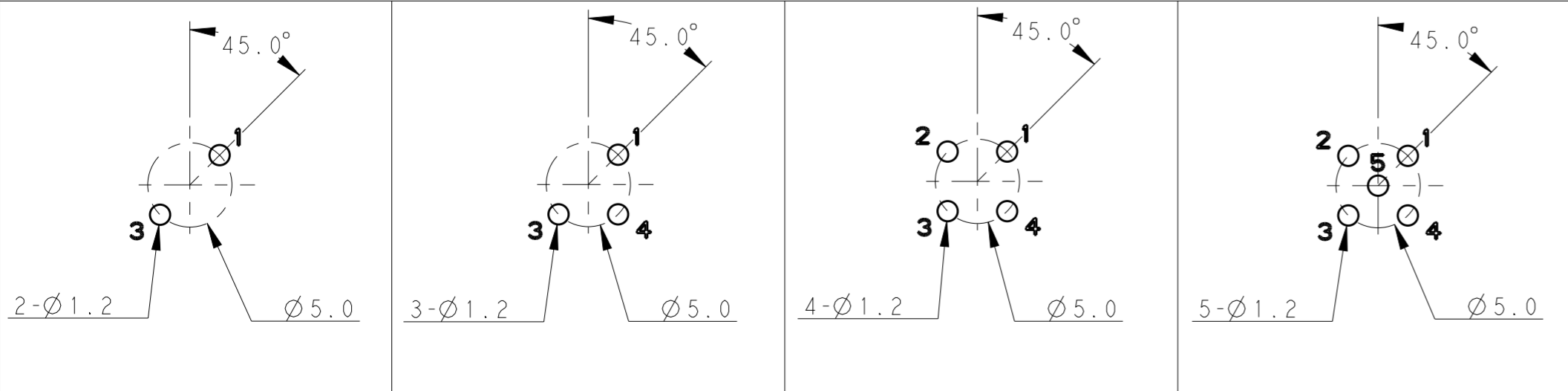
T41425120X1-000

端子电镀:  
 1: 3u'' 金  
 针数:  
 02: 2 针  
 03: 3 针  
 04: 4 针  
 05: 5 针

PIN ARRANGEMENT D-CODE



RECOMMENDED DRILLING DIAGRAM



PART NUMBER	TYPE
T4142512021-000	RPC-M12D-MB-2CON-PG9-LBU
T4142512031-000	RPC-M12D-MB-3CON-PG9-LBU
T4142512041-000	RPC-M12D-MB-4CON-PG9-LBU
T4142512051-000	RPC-M12D-MB-5CON-PG9-LBU

PLATING	MATERIAL	DESCRIPTION	ITEM
3u'' GOLD PLATED	COPPER ALLOY	CONTACT	5 2 3 4 5
80u'' NICKEL PLATED	COPPER ALLOY	METAL NUT	4 1 1 1 1
BLACK	RUBBER	O-RING	3 1 1 1 1
80u'' NICKEL PLATED	COPPER ALLOY	M12, MALE, METAL BODY	2 1 1 1 1
-	PA66	M12, MALE HSG	1 1 1 1 1

THIS DRAWING IS A CONTROLLED DOCUMENT. DWN BO GAO 02FEB2016  
 CHK KOBBY ZHAO  
 APVD XIANG XU  
 PRODUCT SPEC 108-106140  
 APPLICATION SPEC 114-137144  
 WEIGHT -  
 CUSTOMER DRAWING

**STE** TE Connectivity

NAME M12 PANEL MOUNT CONNECTOR D CODE, MALE, FRONT MOUNTING PCB SOLDERING  
 SIZE A2 CAGE CODE - DRAWING NO. C-T41425120X1000 RESTRICTED TO -  
 SCALE 3:1 SHEET 1 OF 1 REV C