

1EJT1F=F8133A ✓ ACTIVE

Corcom | Corcom EJT

TE Part # 4-1609157-1

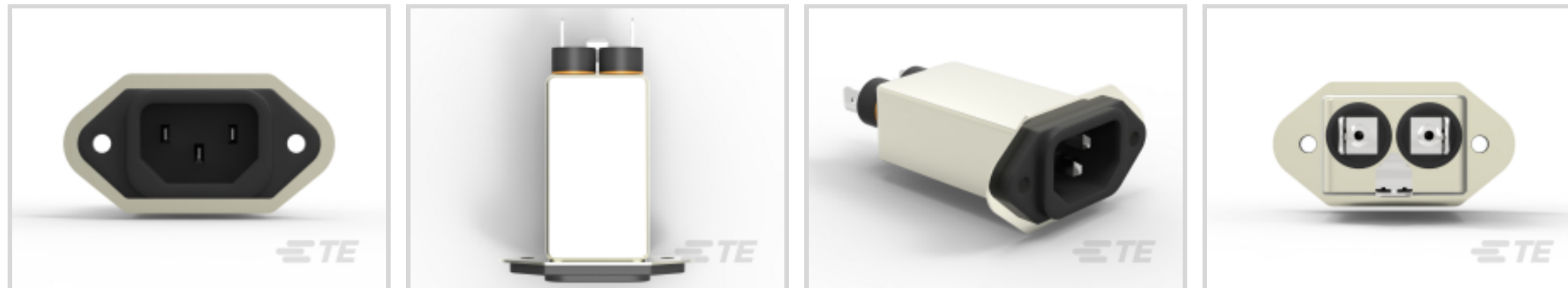
TE Internal #: 1EJT1F

CORCOM EJT SERIES IEC FILTERED INLETS

[View on TE.com >](#)



EMI Filters > Multi-Function Inlet Filters > CORCOM EJT SERIES IEC FILTERED INLETS



Filter Type: **Power Line**

Mount Angle: **Vertical**

Leakage Current (Max) (120VAC, 60Hz): **250 μ A**

Current Rating: **1 A**

Mount Style: **Extended Flange**

[All CORCOM EJT SERIES IEC FILTERED INLETS \(22\)](#)

Features

Product Type Features

Ground Choke Option	No
Ground Option	None
Filter Type	Power Line
Input Type	IEC
Output Type	.250" FASTON
Filtered	Yes
Type of Connector	IEC 60320-1 C-14

Electrical Characteristics

Leakage Current (Max) (120VAC, 60Hz)	250 μ A
Current Rating	1 A
Voltage (Max)	250 VAC

Mechanical Attachment

Mount Angle	Vertical
Mount Style	Extended Flange

Product Compliance

[For compliance documentation, visit the product page on TE.com>](#)

EU RoHS Directive 2011/65/EU	Compliant
EU ELV Directive 2000/53/EC	Compliant
China RoHS 2 Directive MIIT Order No 32, 2016	No Restricted Materials Above Threshold
EU REACH Regulation (EC) No. 1907/2006	Current ECHA Candidate List: JAN 2019 (197) Candidate List Declared Against: JUN 2018 (191)
Halogen Content	Not Low Halogen - contains Br or Cl > 900 ppm.
Solder Process Capability	Not applicable for solder process capability

Product Compliance Disclaimer

This information is provided based on reasonable inquiry of our suppliers and represents our current actual knowledge based on the information they provided. This information is subject to change. The part numbers that TE has identified as EU RoHS compliant have a maximum concentration of 0.1% by weight in homogenous materials for lead, hexavalent chromium, mercury, PBB, PBDE, DBP, BBP, DEHP, DIBP, and 0.01% for cadmium, or qualify for an exemption to these limits as defined in the Annexes of Directive 2011/65/EU (RoHS2). Finished electrical and electronic equipment products will be CE marked as required by Directive 2011/65/EU. Components may not be CE marked. Additionally, the part numbers that TE has identified as EU ELV compliant have a maximum concentration of 0.1% by weight in homogenous materials for lead, hexavalent chromium, and mercury, and 0.01% for cadmium, or qualify for an exemption to these limits as defined in the Annexes of Directive 2000/53/EC (ELV). Regarding the REACH Regulations, TE's information on SVHC in articles for this part number is still based on the European Chemical Agency (ECHA) 'Guidance on requirements for substances in articles' (Version: 2, April 2011), applying the 0.1% weight on weight concentration threshold at the finished product level. TE is aware of the European Court of Justice ruling of September 10th, 2015 also known as O5A (Once An Article Always An Article) stating that, in case of 'complex object', the threshold for a SVHC must be applied to both the product as a whole and simultaneously to each of the articles forming part of its composition. TE has evaluated this ruling based on the new ECHA "Guidance on requirements for substances in articles" (June 2017, version 4.0) and will be updating its statements accordingly.

Compatible Parts



Also in the Series | [Corcom EJT](#)



Multi-Function Inlet Filters
(22)

Customers Also Bought



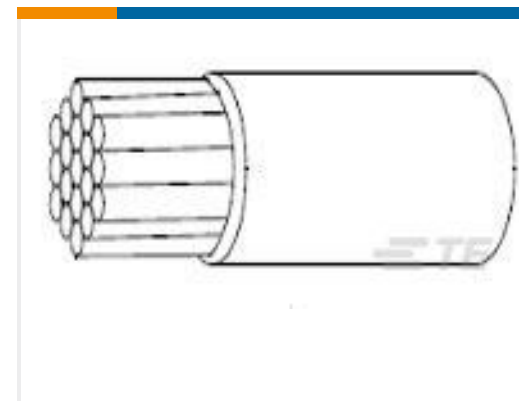
TE Part #304817-000
234A121-25/225-0



TE Part #387039-000
44A1111-24-7-9



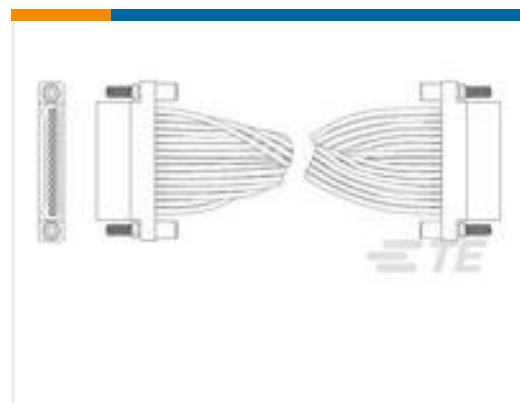
TE Part #993261-000
44A1121-18-0/1-9



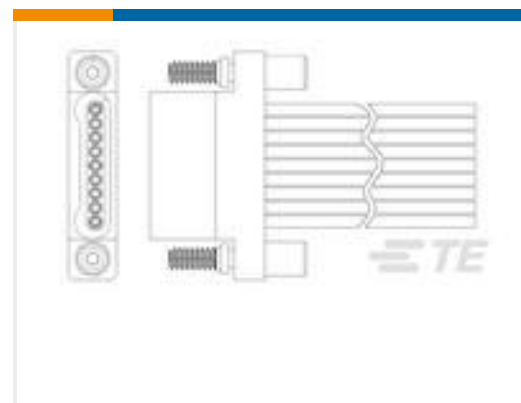
TE Part #564225-000
55A0111-30-0



TE Part #225717-000
81044/9-10-13



TE Part #1-1589735-2
JSM009PP2DC006N =
WDUALOBE



TE Part #7-1589827-8
SSL025PC2DC030N =
Wdualobe



TE Part #1589451-3
USS009B2 = STRIP CON

Documents

CAD Files

3D PDF

3D

Customer View Model

[ENG_CVM_CVM_4-1609157-1_B.2d_dxf.zip](#)

English

Customer View Model

[ENG_CVM_CVM_4-1609157-1_B.3d_igs.zip](#)

English

Customer View Model

[ENG_CVM_CVM_4-1609157-1_B.3d_stp.zip](#)

English

Datasheets & Catalog Pages

[1654001_CORCOM_PRODUCT_GUIDE](#)

English

[Corcom Combined Selector Charts](#)

1EJT1F=F8133A

TE Part # 4-1609157-1
TE Internal #: 1EJT1F



English

Corcom EJT Flanged Inlet Filter

English