

# GG/HG Series

**Smallest Filtered  
Power Entry Modules  
with Metric Fuseholders**



**UL Recognized  
CSA Certified  
VDE Approved  
SEV on 3 & 6 EGG1 - 1 & 2  
3 & 6 EGG1C - 1 & 2**



GG8



HG1/GG1

## GG Series

GG series power entry modules combine the functions of a general purpose RFI filter with an IEC power cord connector and single or dual metric fusing, in the smallest possible panel space. A choice of .250" terminals or wire leads is available for the load-side terminations.

For maximum cost effectiveness, 6 amp models should be used for all applications rated 6 amps or less, unless the higher performance of the 3 amp models, or the much higher performance of the 1 amp models, is needed.

Models with C-suffix additionally incorporate a ground choke<sup>1</sup> to isolate the equipment chassis from external ground at RF frequencies.\*

## HG Series

A medical version of our GG series, these filters offer the same compact design but reduce the line-to-ground capacitance in order to meet UL 2601 patient care requirements.

Part Number	RFI Filter Type	Current Rating <sup>3</sup>	Metric Fuseholders	Load Side Terminations
1EGG1-1	General Purpose <sup>2</sup>	1	1	Terminals
1EGG1-2	General Purpose	1	2	Terminals
1EGG8-1	General Purpose	1	1	Wire Leads
1EGG8-2	General Purpose	1	2	Wire Leads
3EGG1-1	General Purpose	3	1	Terminals
3EGG1-2	General Purpose	3	2	Terminals
3EGG8-1	General Purpose	3	1	Wire Leads
3EGG8-2	General Purpose	3	2	Wire Leads
6EGG1-1	General Purpose	6	1	Terminals
6EGG1-2	General Purpose	6	2	Terminals
6EGG8-1	General Purpose	6	1	Wire Leads
6EGG8-2	General Purpose	6	2	Wire Leads
1EHG1-2	Medical	1	2	Terminals
3EHG1-2	Medical	3	2	Terminals
6EHG1-2	Medical	6	2	Terminals

<sup>1</sup> Ground choke available on all general purpose models. Add suffix (1EGG1C-1).

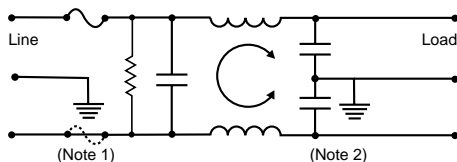
<sup>3</sup> Current rating @ 120 VAC and 250 VAC.

<sup>2</sup> General purpose filter for susceptibility applications.

\* GC models only.

## Electrical Schematics

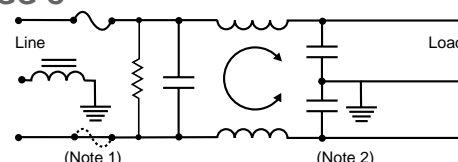
### HG/GG



Note 1: Depicts single fuse for -1 models.

Note 2: For HG delete line-to-ground capacitors. Resistor location for reference only.

### GG-C



**CAUTION: Do not attempt to operate a single-fused model without the fuse door in place!**



# Series GG/HG

## Specifications

Maximum leakage current, each	<b>HG</b>	<b>GG</b>
line-to-ground @120 VAC 60Hz	2µA	.25mA
@250 VAC 50Hz	5µA	.42mA
Hipot rating (one minute):		
line-to-ground	1550 VAC	
line-to-line	1450 VDC	
Operating frequency:	50/60 Hz	
Rated voltage:	120/250 VAC	
Fuse (not included):	Accepts one 5 x 20mm fuse (-1 models) or two 5 x 20mm fuses (-2 models)	
Terminals:	.250 (6.35mm) terminals (G1) 5" wire leads (EGG8)	

### Minimum insertion loss in dB:

Line-to-ground in 50 ohm circuit

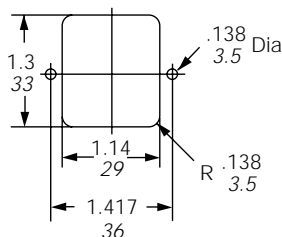
Current Rating	Frequency-MHz								
	.01	.05	.10	.15	.5	1	5	10	30
<b>GG Models</b>									
1A	12	23	29	32	41	47	50	50	55
3A	-	10	15	19	30	36	48	50	53
6A	-	1	4	10	16	22	36	40	50
<b>HG Models</b>									
1A	12	23	29	32	40	40	28	22	18
3A	-	10	15	19	25	26	22	21	21
6A	-	4	10	14	18	18	14	14	14

Line-to-line in 50 ohm circuit

Current Rating	Frequency-MHz							
	.01	.15	.5	1	3	5	10	30
<b>GG Models</b>								
1A	1	3	14	23	41	47	50	44
3A	1	2	11	14	25	38	44	40
6A	1	2	10	13	23	33	39	42
<b>HG Models</b>								
1A	1	3	26	35	35	35	27	20
3A	1	2	30	30	30	30	30	30
6A	1	2	30	30	30	30	30	30

## Recommended Panel Cutout

Front or back mounting. Metric shown in italics.



## Case Dimensions

Metric shown in italics.

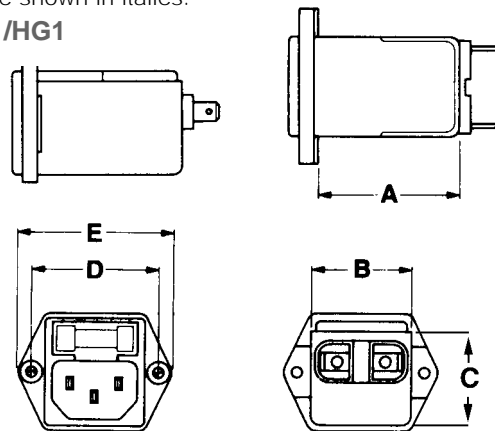
Part No.	A (max)	B (max)	C (max)	D ± .015 ± .38	E
EGG1-1/EGG1-2	1.66 42.2	1.13 28.7	1.29 32.8	1.417 33.3	1.76 44.7
EGG8-1/EGG8-2	2.02 51.7	1.13 28.7	1.29 32.8	1.417 33.3	1.76 44.7
EGG1C-1/EGG1C-2	2.02 62.2	1.13 28.7	1.29 32.8	1.417 33.3	1.76 44.7
EGG8C-1/EGG8C-2	2.02 51.7	1.13 28.7	1.29 32.8	1.417 33.3	1.76 44.7

\*HG 1-2 models same as GG 1-2.

## Case Styles

Metric shown in italics.

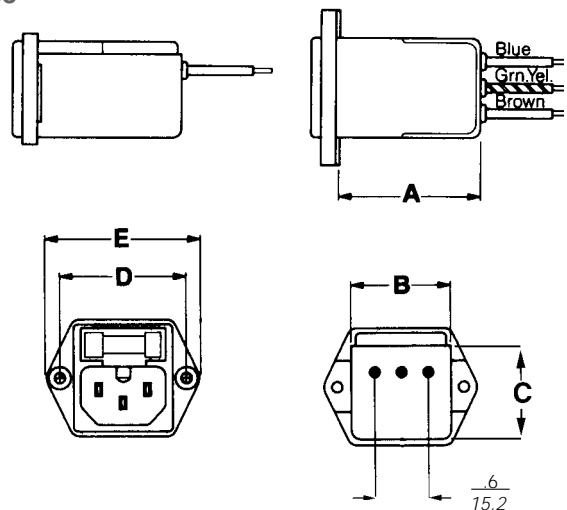
### GG1/HG1



Typical dimensions

Terminals:  $\frac{.250}{6.35}$  (3) Holes:  $\frac{.07}{1.8}$  Dia. Mounting holes:  $\frac{.126}{3.20}$  Dia. (2)

### GG8



Typical dimensions

Wire leads:  $\frac{5.0}{127}$  Min.

Mounting holes:  $\frac{.126}{3.20}$  Dia. (2)