

## 6VM1S Product Details

[Share](#) [Print](#) [Email](#)



**6VM1S**

TE Internal Number: 2-6609128-8

Active

[View 3D PDF](#)

### EMI/RFI Filters and Accessories

Always EU RoHS compliant but not ELV Compliant (Statement of Compliance)

#### Product Highlights:

- Filter - EMI/RFI
- Filter Type = Power Entry (Filtered/Unfiltered)
- M (3-6 Amp) Series
- General Purpose Application
- Mount Style = Flanged

[View all Features](#)

### Quick Links

- ▶ [Pricing & Availability](#)
- ▶ [Search for Tooling](#)
- ▶ [Product Feature Selector](#)
- ▶ [Contact Us About This Product](#)

[Add to My Part List](#) [Request Sample](#) [Find Similar Products](#)

[Buy Product](#)

### Documentation & Additional Information

#### Product Drawings:

- [CUSTOMER DRAWING 6VM1S](#) (PDF, English)

#### Catalog Pages/Data Sheets:

- [1654001\\_CORCOM\\_PRODUCT\\_GUIDE\\_M\\_SERIES](#) (PDF, English)

#### Product Specifications:

- None Available

#### Application Specifications:

- None Available

#### Instruction Sheets:

- None Available

#### CAD Files: (CAD Format & Compression Information)

- [2D Drawing](#) (DXF, Version L)
- [3D Model](#) (IGES, Version L)
- [3D Model](#) (STEP, Version L)

[List all Documents](#)

#### Additional Information:

- [Product Line Information](#)

#### Additional Product Images:

- [Insertion Loss/Specifications](#)

#### Related Products:

- [Tooling](#)

### Product Features (Please use the Product Drawing for all design activity)

#### Product Type Features:

- [Product Type](#) = Filter - EMI/RFI
- [Filter Type](#) = Power Entry (Filtered/Unfiltered)
- [Series](#) = M (3-6 Amp)
- [Filtered](#) = No
- [Type of Connector](#) = IEC 320/C-14

#### Electrical Characteristics:

- [Input Voltage Select](#) = Single AC Voltage
- [Current Rating \(A\)](#) = 6
- [Voltage Selection](#) = Single
- [Voltage ≤ \(VAC\)](#) = 120, 240

#### Termination Features:

- [Terminal Input - Output Combination](#) = IEC - .110 Faston

#### Body Features:

#### Configuration Features:

- [Fuse Options](#) = Dual, Single
- [Fuse Holder Type](#) = Selectable

#### Industry Standards:

- [RoHS/ELV Compliance](#) = RoHS/Not ELV Compliant
- [Lead Free Solder Processes](#) = Not relevant for lead free process
- [RoHS/ELV Compliance History](#) = Always was RoHS not ELV compliant
- [Approved Standards](#) = UL Recognized, VDE Approved, CSA Certified

#### Conditions for Usage:

- [Facility Installation](#) = No
- [Need Min Size With IEC Connector](#) = Yes
- [Need Optional Switch, Fusing, Or Voltage Selector](#) = Yes

- [Mount Style](#) = Flanged
- [Switch Type](#) = DPST

**Operation/Application:**

- [Application](#) = General Purpose

**Other:**

- Brand = Corcom
- Comment = Voltage Fixed

---

**Corporate Information**

[About TE](#)  
[Investors](#)  
[News Room](#)  
[Supplier Portal](#)  
[Careers](#)  
[Terms & Conditions](#)  
[Privacy Policy](#)

**Quick Links**

[Distributor Inventory](#)  
[Product Cross Reference](#)  
[Documents & Drawings](#)  
[Product Compliance Support Center](#)  
[Site Map](#)

**Customer Support**

[Email or Chat With Us](#)  
[Find a Phone Number](#)  
[Knowledge Base](#)  
[Manage Your Account](#)

**Keep Me Informed**

ECN#	APP'D./DATE	REV.
10419	TAM 6/6/94	10

**SAFETY ORGANIZATION(S):**

THIS MODULE HAS BEEN FORMALLY RECOGNIZED, CERTIFIED OR APPROVED BY THE LISTED AGENCY. THEREFORE, ALL TEST/REQUIREMENTS SPECIFIED IN THE LATEST REVISION OF THE FOLLOWING AGENCY STANDARDS HAVE BEEN MET.

UL RECOGNIZED                   UL 498  
 CSA CERTIFIED                CSA 22.2, NO.0,0.4,42  
 VDE APPROVED                VDE 625

**OPERATING SPECIFICATIONS:**

LINE VOLTAGE/CURRENT:   5 AMP, 120 VAC  
                                   4 AMP./40°C, 250 VAC  
 LINE FREQUENCY: 47-440Hz

**RELIABILITY SPECIFICATIONS:**

STORAGE TEMPERATURE: -55°C TO +85°C  
 HUMIDITY: 21 DAYS @ 40°C 95% RH  
 CURRENT OVERLOAD TEST: 6 TIMES RATED CURRENT FOR 8 SECONDS

**TEST SPECIFICATIONS:**

LINE/GROUND AND LINE/LINE   6000MΩ (MIN) AT 100VDC  
 INSULATION RESISTANCE:       20°C AND 50% RH

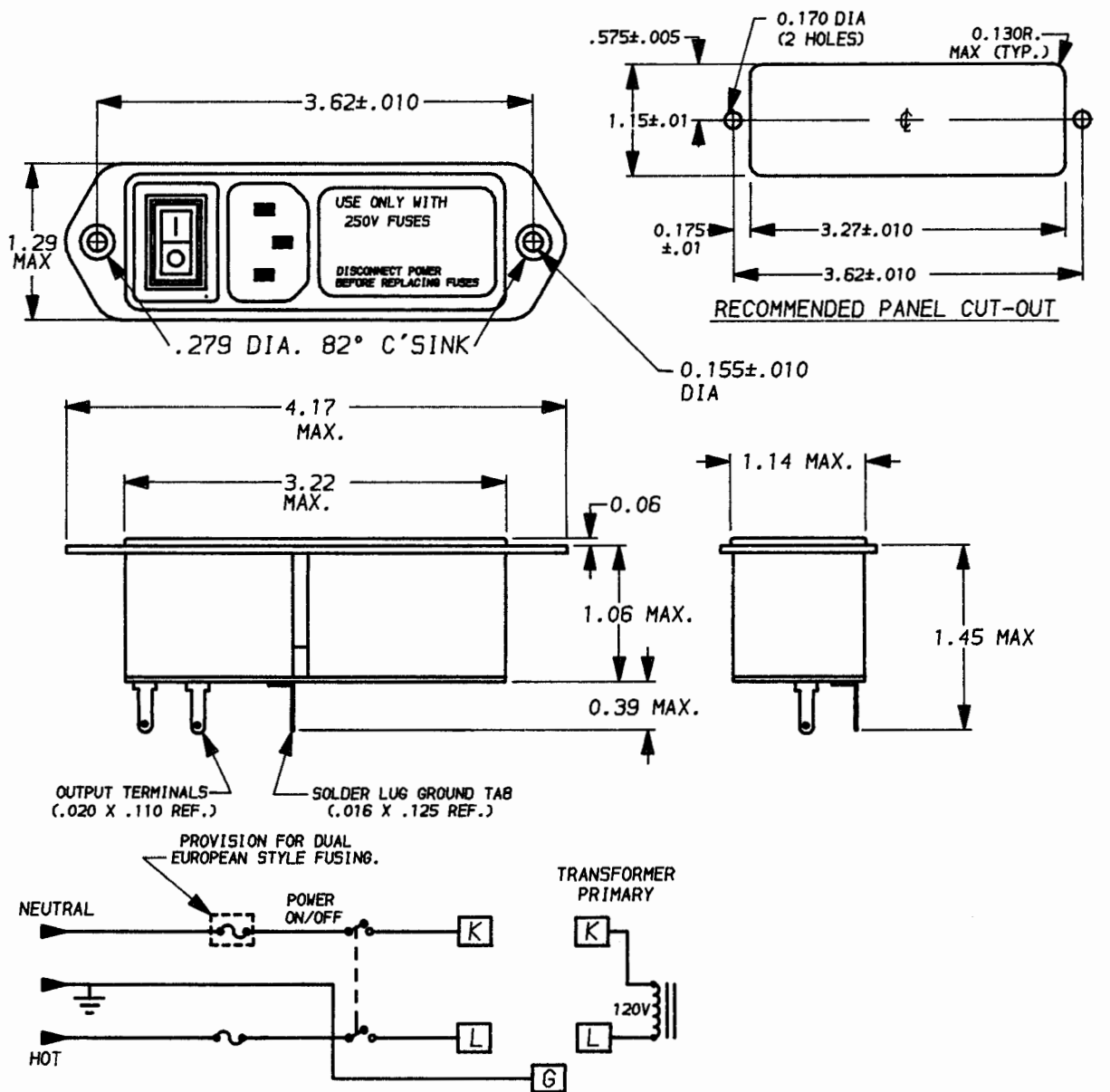
**RECOMMENDED RECEIVING INSPECTION HIPOT:**

LINES TO GROUND, 1500 VAC FOR 1 MINUTE  
 LINE TO LINE: 1450 VDC FOR 1 MINUTE

**FILTER APPROVAL:**

THE BEST WAY TO SELECT AND QUALIFY A FILTER IS FOR YOUR ENGINEERING TO TEST THE UNIT IN YOUR EQUIPMENT.

U.S. PATENT No. 4,488,201



UNLESS OTHERWISE SPECIFIED, TOLERANCE TO BE ±.025 MATERIAL & FINISH: AS SUPPLIED				
		LIBERTYVILLE, IL 60048 <b>POWER LINE FILTER</b>		
This document is proprietary to CORCOM INC. and is not to be reproduced nor used for manufacturing purposes except on CORCOM'S prior written consent.		DATE: 4-18-94 APPROVD.	CATALOG NO. <b>6VM1S.10</b>	REV. <b>10</b>
		CAD NO. <b>6VM1S.10</b>		