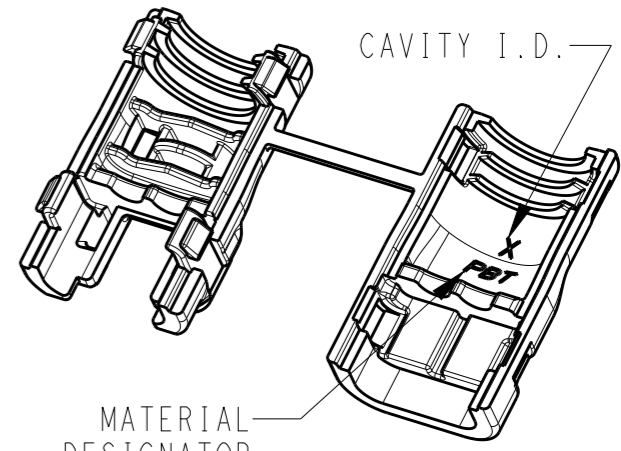
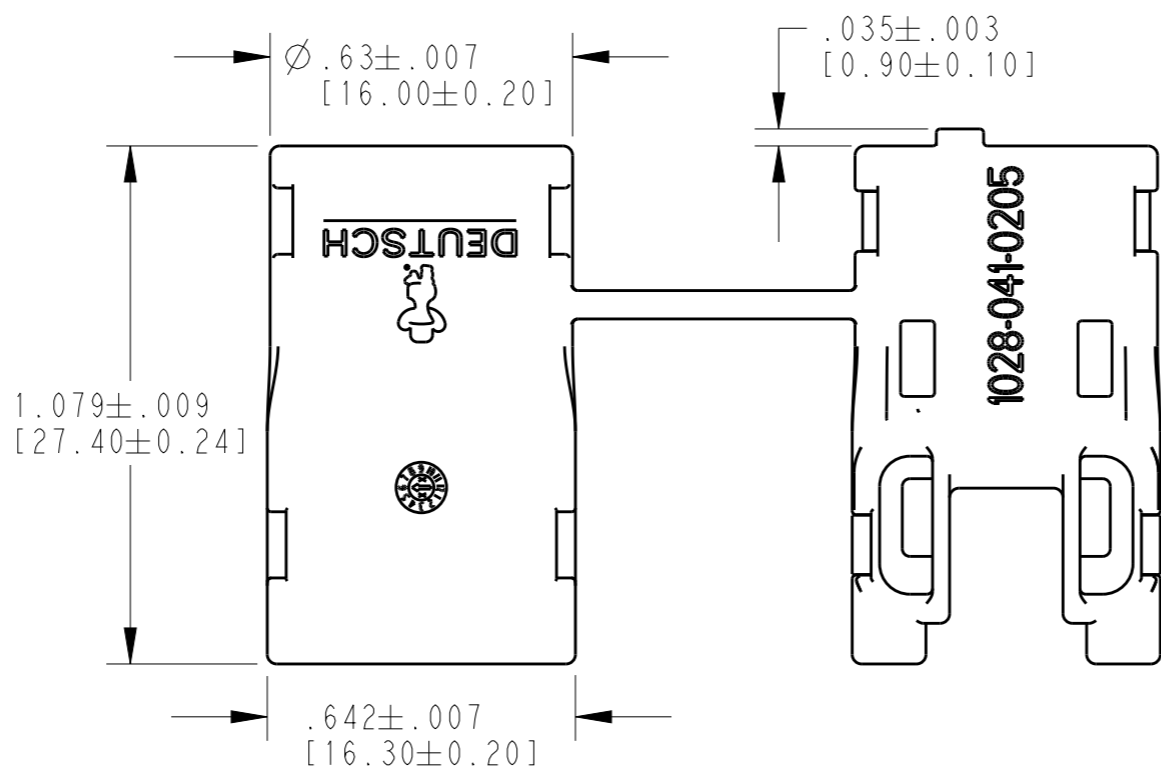
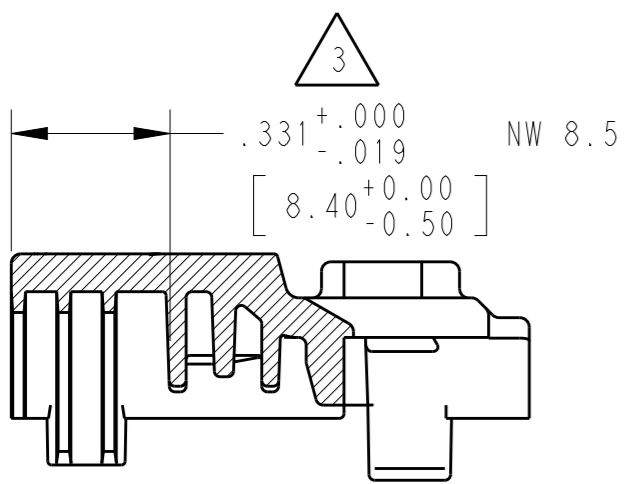


THIS DRAWING IS UNPUBLISHED
 RELEASED FOR PUBLICATION 2014
 © COPYRIGHT 2011 BY TE CONNECTIVITY ALL RIGHTS RESERVED.

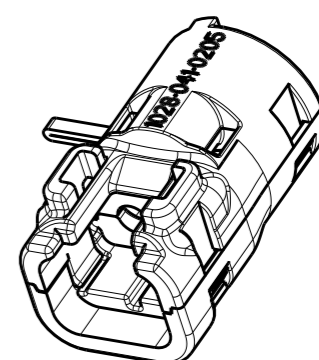
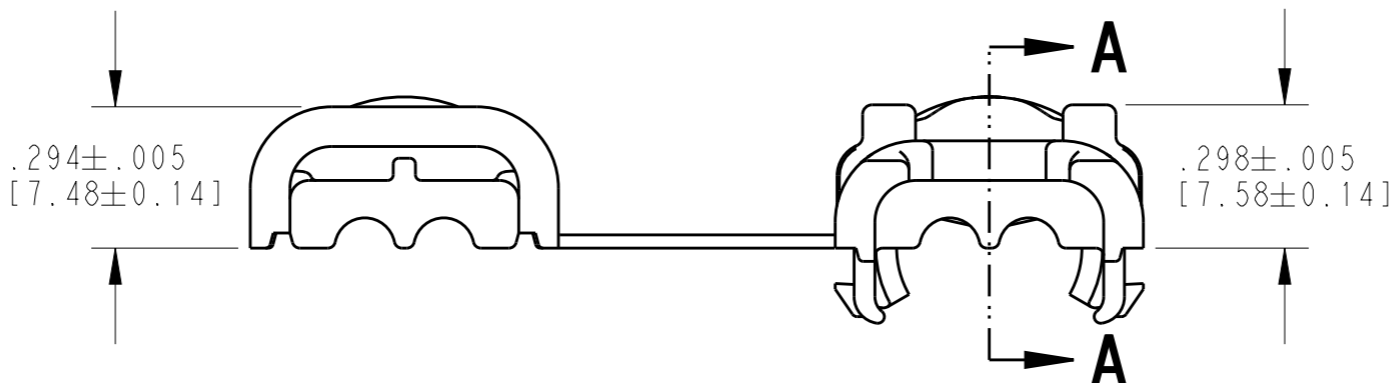
LOC		DIST		REVISIONS			
P	LTR	DESCRIPTION	DATE	DWN	APVD		
	NC	NEW RELEASE PER E.O. P21121	09DEC2011	AM	RDR		
	A	REVISED PER ECO-14-016222	31OCT2014	JA	RDR		



3D VIEW
OPEN



SECTION A-A



3D VIEW
CLOSED

TE INTERNAL PN	DEUTSCH PN
1028-041-0205	1028-041-0205

- 3 DIMENSION SHOWN INDICATES PROPER DEPTH TO ASSEMBLE NOTED CONVOLUTE TUBE SIZE.
- 2 MATERIAL: PBT; COLOR: BLACK
- 1. THIS PART MATES WITH DTM06-2SX-XXXX AND DTMH06-2SX-XXXX PLUGS WITH ANY MODIFICATION THAT DOES NOT INCLUDE AN END CAP. (X = KEY ARR. A,B,C,D; XXXX = MODIFICATION)

NOTES:

THIS DRAWING IS A CONTROLLED DOCUMENT.		DWN 11SEP2011 ALDO MALAGON		TE Connectivity	
DIMENSIONS: INCHES [mm]		CHK 07DEC2011 BOB MILLIGAN			
TOLERANCES UNLESS OTHERWISE SPECIFIED:		APVD 07DEC2011 STEVE BEARD		NAME BACKSHELL SWIVEL ADAPTER 2 PIN PLUG DTM/DTMH SERIES	
0 PLC ± 1 PLC ± 2 PLC ± 3 PLC ±.025 [0.64] 4 PLC ± ANGLES ±0°30'0"		PRODUCT SPEC N/A		SIZE A3	
MATERIAL		APPLICATION SPEC N/A		CAGE CODE 4AFU8	
FINISH		WEIGHT		DRAWING NO 1028-041-0205	
		Customer Drawing		RESTRICTED TO GEN	
		SCALE 1:1		SHEET 1 OF 1	
				REV A	