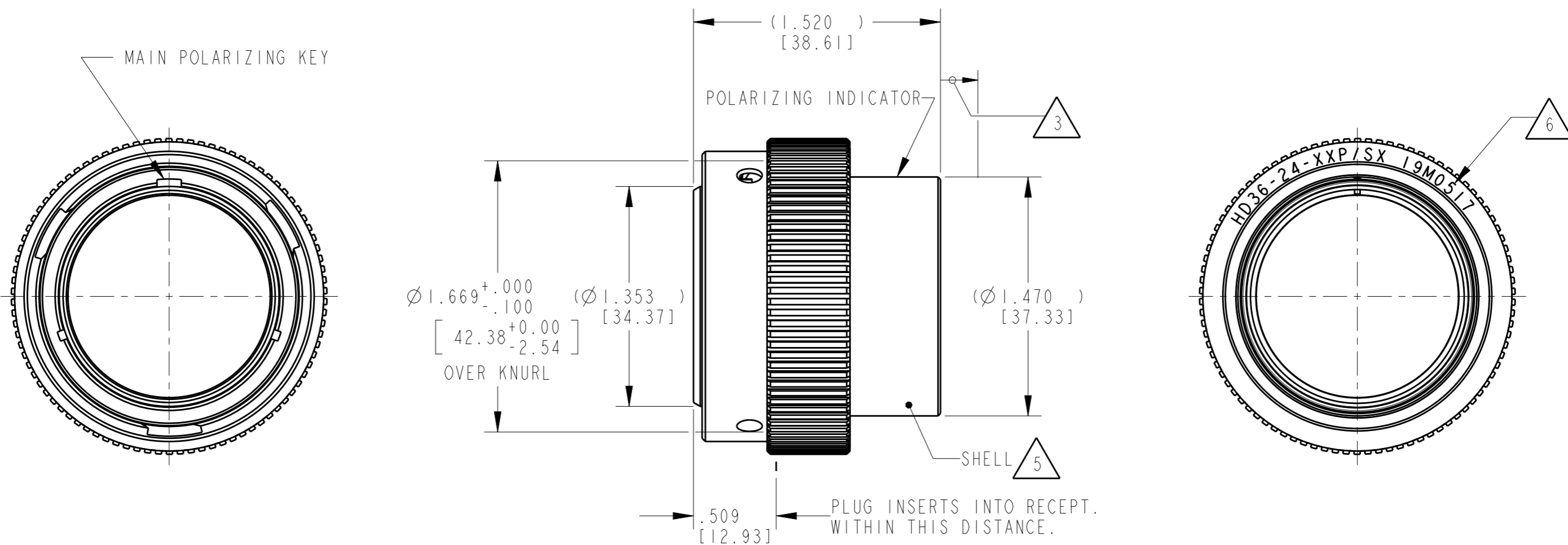


THIS DRAWING IS UNPUBLISHED
 RELEASED FOR PUBLICATION 2014
 © COPYRIGHT 2014 BY TE CONNECTIVITY ALL RIGHTS RESERVED.

LOC	DIST	REVISIONS					
		P	LTR	DESCRIPTION	DATE	DWN	APVD
-	-		A	REVISED PER E.O. P18134	23MAY2003	-	RDR
			B	REVISED PER E.O. P18565	20SEP2004	-	RDR
			B1	REVISED PER ECO-15-001798	12AUG2014	PV	DM
			B2	REVISED PER PCN E-20-000705	27JAN2020	PK	DM



△6 DATE CODE: IDENTIFIES THE YEAR, MONTH, DAY AND HOUR OF ASSEMBLY.
 YEAR: FIRST AND SECOND DIGITS. (14=2014)
 MONTH: THIRD DIGIT, EXCLUDING I. A=JAN., B=FEB., C=MARCH... (K=OCT.)
 DAY: FOURTH AND FIFTH DIGITS (14=14th DAY)
 HOUR: SIXTH AND SEVENTH DIGITS (11=11AM)

△5 MATERIAL:
 PLUG HOUSING: 6061-T6 ALUMINIUM ALLOY,
 GROMMET: SILICONE VMQ (RED),
 RETAINER RING: PA66 GF10

- 4. THIS SHELL MATES WITH HD34-24-XXP/SX-XXXX
- 3. TOTAL DIM. WITH EXTENDED WIRE SEAL (WITH CONTACTS #4 OR #8 ONLY) = 1.750±.050 [44.45±1.27].
- 2. SEE DRAWING 0425-014-2400 FOR ARRANGEMENT OF CONTACT LOCATION.
- 1. CONSULT THE FACTORY FOR ELECTRICAL AND MATERIAL SPECIFICATIONS.

NOTES:

THIS DRAWING IS A CONTROLLED DOCUMENT.		DWN 30OCT2014 VIJETH BHARADWAJ														
DIMENSIONS: INCHES [mm]		CHK 31OCT2014 I. GRANTCHAROVA														
TOLERANCES UNLESS OTHERWISE SPECIFIED:		APVD 31OCT2014 D. MEYER	NAME PLUG CONNECTOR, SHELL SIZE 24 BAYONET COUPLING HD30 SERIES													
<table border="0"> <tr> <td>0 PLC</td> <td>±-</td> </tr> <tr> <td>1 PLC</td> <td>±-</td> </tr> <tr> <td>2 PLC</td> <td>±-</td> </tr> <tr> <td>3 PLC</td> <td>±.010 [±.254]</td> </tr> <tr> <td>4 PLC</td> <td>±-</td> </tr> <tr> <td>ANGLES</td> <td>±° 30' 0"</td> </tr> </table>		0 PLC	±-	1 PLC	±-	2 PLC	±-	3 PLC	±.010 [±.254]	4 PLC	±-	ANGLES	±° 30' 0"	PRODUCT SPEC 108-151014	SIZE A3	CAGE CODE -
0 PLC	±-															
1 PLC	±-															
2 PLC	±-															
3 PLC	±.010 [±.254]															
4 PLC	±-															
ANGLES	±° 30' 0"															
MATERIAL △5		FINISH -	APPLICATION SPEC 114-151014	DRAWING NO G=HD36-24-XXP/SX												
		WEIGHT 64g	RESTRICTED TO -													
		Customer Drawing	SCALE NONE	SHEET 1 OF 1 REV B2												