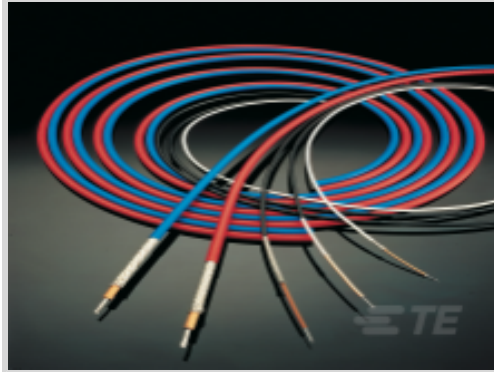




Wire & Cable > High Speed Digital & Data Cable



Cable Type: **Cheminax**

Impedance: 100 Ω

Wire Size: **26 AWG**

Operating Temperature Range: -65 – 200 °C [-85 – 392 °F]

Features

Product Type Features

| | |
|------------------------|-----------------|
| Product Classification | Cable - Coaxial |
| Cable Style | Twisted Pair |
| Product Type | Cable |
| Cable Type | Cheminax |

Electrical Characteristics

| | |
|-----------|----------|
| | 16 pF/ft |
| Impedance | 100 Ω |

Body Features

| | |
|--------------------|--------------------------------------|
| Shield Material | Tin-Plated Copper |
| Jacket Color | White |
| Conductor Material | Silver-Plated High Strength Copper |
| Jacket Material | Radiation-Crosslinked, Modified ETFE |

Dimensions

| | |
|---------------------------|------------------|
| Wire Diameter | .51 mm[.02 in] |
| Cable Dielectric Diameter | 1.52 mm[.06 in] |
| Overall Outside Diameter | 3.89 mm[.153 in] |
| Wire Size | 26 AWG |

Usage Conditions

| | |
|-----------------------------|----------------------------|
| Operating Temperature Range | -65 – 200 °C[-85 – 392 °F] |
|-----------------------------|----------------------------|

Product Compliance

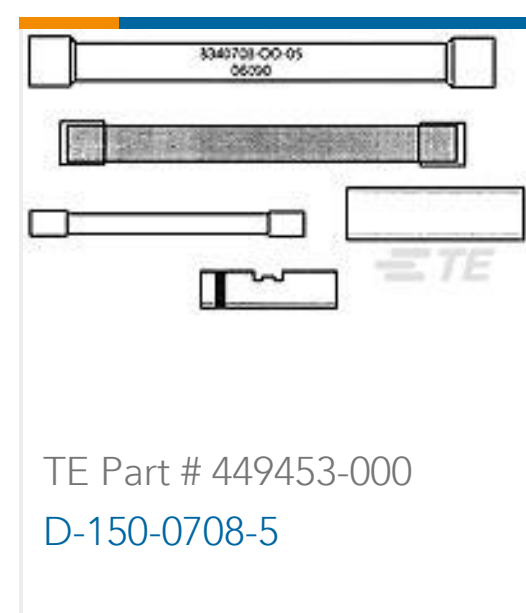
[For compliance documentation, visit the product page on TE.com>](#)

| | |
|---|--|
| EU RoHS Directive 2011/65/EU | Compliant |
| EU ELV Directive 2000/53/EC | Compliant |
| China RoHS 2 Directive MIIT Order No 32, 2016 | No Restricted Materials Above Threshold |
| EU REACH Regulation (EC) No. 1907/2006 | Current ECHA Candidate List: JAN 2019 (197) Candidate List Declared Against: JAN 2019 (197) |
| Halogen Content | Out of Scope - excluded from Halogen requirements |
| Solder Process Capability | Not applicable for solder process capability |

Product Compliance Disclaimer

This information is provided based on reasonable inquiry of our suppliers and represents our current actual knowledge based on the information they provided. This information is subject to change. The part numbers that TE has identified as EU RoHS compliant have a maximum concentration of 0.1% by weight in homogenous materials for lead, hexavalent chromium, mercury, PBB, PBDE, DBP, BBP, DEHP, DIBP, and 0.01% for cadmium, or qualify for an exemption to these limits as defined in the Annexes of Directive 2011/65/EU (RoHS2). Finished electrical and electronic equipment products will be CE marked as required by Directive 2011/65/EU. Components may not be CE marked. Additionally, the part numbers that TE has identified as EU ELV compliant have a maximum concentration of 0.1% by weight in homogenous materials for lead, hexavalent chromium, and mercury, and 0.01% for cadmium, or qualify for an exemption to these limits as defined in the Annexes of Directive 2000/53/EC (ELV). Regarding the REACH Regulations, TE's information on SVHC in articles for this part number is still based on the European Chemical Agency (ECHA) 'Guidance on requirements for substances in articles' (Version: 2, April 2011), applying the 0.1% weight on weight concentration threshold at the finished product level. TE is aware of the European Court of Justice ruling of September 10th, 2015 also known as O5A (Once An Article Always An Article) stating that, in case of 'complex object', the threshold for a SVHC must be applied to both the product as a whole and simultaneously to each of the articles forming part of its composition. TE has evaluated this ruling based on the new ECHA "Guidance on requirements for substances in articles" (June 2017, version 4.0) and will be updating its statements accordingly.

Compatible Parts



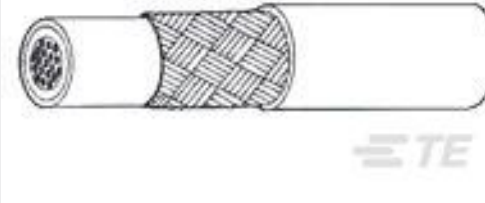
Customers Also Bought



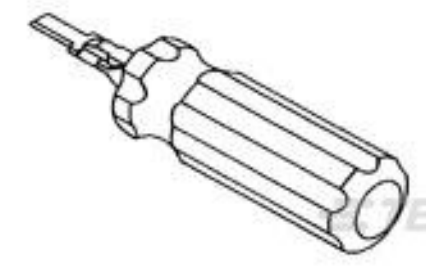
TE Part #330024
BNC BHD JACK ADAPTER



TE Part #414244-1
75 OHM SMB PCB VERT
JACK



TE Part #073455-000
44AM1111-24-9-9CS2275



TE Part #91084-1
EXTRACTION TOOL



TE Part #469411-000
0024A0024-9X



TE Part #2-1437569-5
164SL11=SQ MOM ILL PB
1NO&1NC



TE Part #7-1437569-9
64S2=COLOR PB CAP
RED SQ



TE Part #8-1437569-2
64S5=COLOR PB CAP
GREEN SQ



TE Part #8-1393766-9
R10-E1Z8-V350=R10

Documents

Product Drawings

[0026A0664-9](#)

English

Datasheets & Catalog Pages

[1654025_Sec9_CheminaxCables](#)

English

Product Specifications

[Product Specification](#)

English