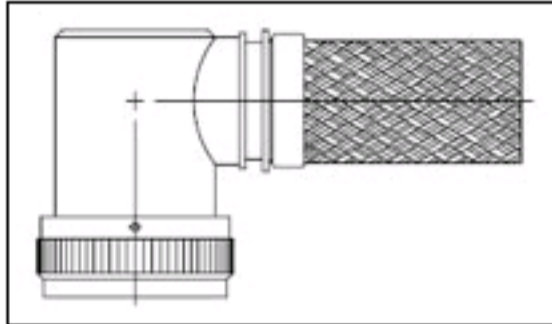




203M214-19B05 Product Details

[Share](#) [Print](#) [Email](#)


203M214-19B05

Braid, Fixed, Spin and Tinel Lock Adapters

[Not EU RoHS or ELV Compliant](#)

Product Highlights:

- Applies To Cable
- Style = Braided or Magneform
- Connector Code = 54
- 90°
- Shell Size = 12, 14, 14S

[View all Features](#)

Quick Links

- ▶ [Check Pricing & Availability](#)
- ▶ [Search for Tooling](#)
- ▶ [Product Feature Selector](#)
- ▶ [Contact Us About This Product](#)

TE Internal Number: 651667-000

 [Active](#)

[Add to My Part List](#) [Request Sample](#) [Find Similar Products](#) [Buy Product](#)

Documentation & Additional Information

Product Drawings:

- [Adapter, Shield, 90 deg. Code 54](#) (PDF, English)

Catalog Pages/Data Sheets:

- None Available

Product Specifications:

- None Available

Application Specifications:

- None Available

Instruction Sheets:

- None Available

CAD Files:

- None Available

Additional Information:

- [Product Line Information](#)

Related Products:

- [Tooling](#)

[List all Documents](#)

Product Features (Please use the Product Drawing for all design activity)

Product Type Features:

- [Style](#) = Braided or Magneform
- [Angle](#) = 90°
- [Shell Size](#) = 12, 14, 14S
- Finish = Cadmium Plating over Electroless Nickel
- Material = Aluminum Alloy
- Color = Olive Drab

Electrical Characteristics:

- [Entry Size](#) = 5
- [Boot Diameter \(mm \[in\]\)](#) = 13.10 [0.515]
- [Entry Diameter \(mm \[in\]\)](#) = 7.92 [0.312]
- Manufacturer = Mil-C-81703
- Finish Code = B

Body Features:

- [Connector Code](#) = 54
- [Cable Diameter \(Max.\) \(mm \[in\]\)](#) = 7.41 [0.292]

Configuration Features:

- [Braid](#) = Preattached Single 36 AWG Braid
- Material Code = 19

Industry Standards:

- [RoHS/ELV Compliance](#) = Not ELV/RoHS compliant
- [Lead Free Solder Processes](#) = Not relevant for lead free process

Conditions for Usage:

- Applies To = Cable

Other:

- Brand = Raychem
- Comment = Manufacturing property is on shell size 12

Corporate Information

[Who We Are](#)
[Investors](#)
[News Room](#)
[Supplier Portal](#)
[Careers](#)

Quick Links

[Check Distributor Inventory](#)
[Cross Reference](#)
[Find Documents & Drawings](#)
[Product Compliance Support Center](#)
[Site Map](#)

Customer Support

[Email or Chat With Us](#)
[Find a Phone Number](#)
[Search Knowledge Base](#)
[Manage your Account](#)

Keep Me Informed

Receive TE News, Events & Technology Updates

[>](#)

