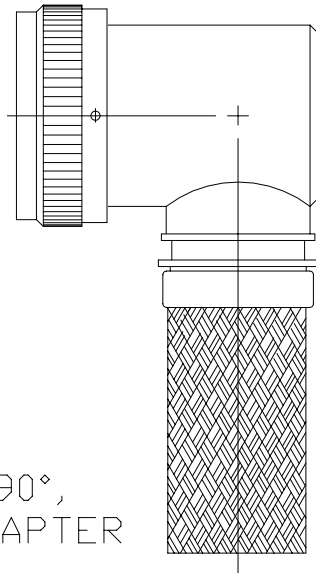


REVISIONS			
LTR	DESCRIPTION	DATE	APPROVED
P	REVISED PER ECN AD93077		



CODE 54 90°,  
SHIELDED ADAPTER

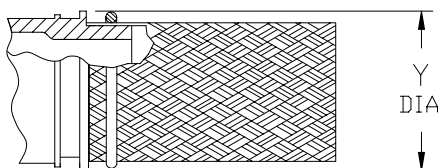
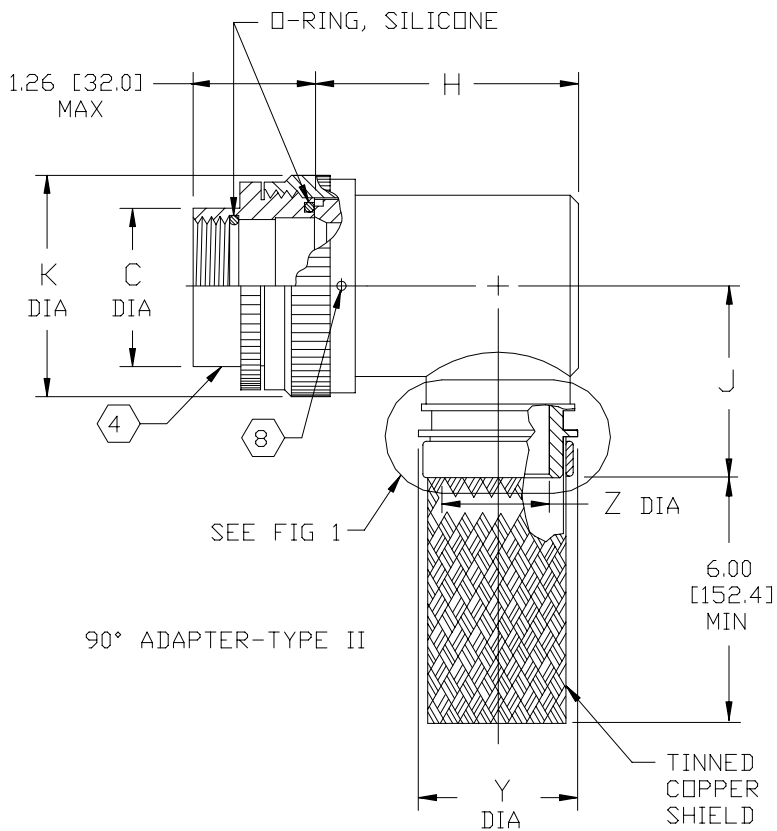
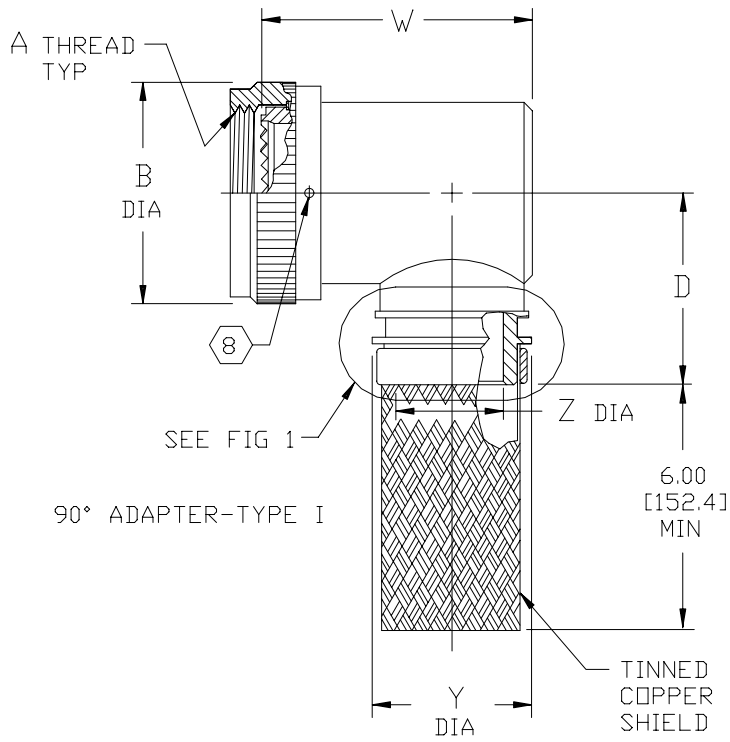
NOTES:

1. THIS PRODUCT IS DESIGNED TO TERMINATE A HEAT SHRINKABLE LIPPED BOOT TO A CONNECTOR.
2. FOR ADDITIONAL DIMENSIONS, ORDERING INFORMATION AND MODIFICATIONS, SEE CH00-0250-004.
3. ADAPTER TO BE PERMANENTLY MARKED WITH CODE IDENT. NO. AND PART NO. (E.G.: 06090-203M212-19A08).
- ④ FOR LARGER ENTRY SIZES, A 2 PIECE ADAPTER (TYPE II) IS SUPPLIED.
- ⑤ BRAID TERMINATION RING MAY BE SUPPLIED AS TINEL-LOCK SHAPE MEMORY RING AT MANUFACTURER'S OPTION.
- ⑥ ADAPTER MATES TO MIL-C-81703, SERIES III, MS3424, MS3446, MS3464, MS3467, MS3468, CLASS E & L.
- ⑦ ADAPTER MATES TO MIL-C-5015G, MS3400 SERIES, CLASS D, E, K, L, U & W: MS3400, MS3401, MS3404, MS3406, MS3450, MS3451, MS3454, MS3456, MS3470, MS3471, MS3472, MS3474, MS3475, MS3476. MIL-C-83723, SERIES II, CLASS A & L. MIL-C-83723, SERIES I & III, CLASS A, G, K, R & S: M83723/1, /2, /3, /4, /5, /6, /7, /8, /13, /14, /36, /37, /38, /40, /41, /42, /43, /48, /49, /65, /66, /67, /68, /69, /70, /71, /72, /73, /74, /75, /76, /77, /78, /82, /83, /84, /85, /86, /87, /91, /92, /95, /97, /98 (MS3155 CONTROLLED INTERFACE).
- ⑧ COUPLING NUT SHALL HAVE 3 LOCK WIRE HOLES, 120° APART.

**If this document is printed it becomes uncontrolled.  
Check for the latest revision.**

SPECIFICATION CONTROL DRAWING

UNLESS OTHERWISE SPECIFIED DIMENSIONS ARE IN INCHES. METRIC DIMENSIONS ARE IN BRACKETS.  DECIMALS .XXX ± — [ mm] .XX ± — [ mm] .X ± — [ mm]  ANGLES .X ± —	DRAWN R. RAMIREZ	DATE 03-19-93		Tyco Electronics Corporation 300 Constitution Drive Menlo Park, CA. 94025 U.S.A.		
	CHECKED	DATE				
	APPROVED W. C. GAY	DATE 05-19-93	TITLE ADAPTER, SHIELD, 90° CODE 54			
	APPROVED	DATE	CAD NAME \ACAD12\203M2XX	SIZE A	CODE IDENT. NO. 06090	DWG. NO. 203M2XX
THIRD ANGLE PROJECTION 	DO NOT SCALE THIS DWG		SHEET 1 OF 4			






TINEL-LOCK TERMINATION

FIG 1 5

**If this document is printed it becomes uncontrolled.  
Check for the latest revision.**

SIZE A	CODE IDENT. NO. 06090	DWG. NO. 203M2XX	REV P
DO NOT SCALE THIS DWG		CAD NAME \ACAD12\203M2X-2	SHEET 2 OF 4

TABLE I

BASE PART NO.	SHELL SIZE		MAX ENTRY SIZE TYPE I 	A THREAD CLASS 2B	B DIA MAX	C MAX	D MAX
							
203M203	3		04	.562-24 UNEF	.669 [16.99]	.695 [17.65]	1.13 [28.7]
203M208		8 & 8S	04	.500-20 UNF	.617 [15.67]	.630 [16.00]	1.10 [27.9]
203M210		10, 10S & 10SL	05	.625-24 UNEF	.734 [18.64]	.757 [19.23]	1.16 [29.5]
203M212	7	12 & 12S	08	.750-20 UNEF	.858 [21.79]	.882 [22.40]	1.22 [31.0]
203M214	12	14 & 14S	09	.875-20 UNEF	.984 [24.99]	1.007 [25.58]	1.28 [32.5]
203M216	19	16 & 16S	11	1.000-20 UNEF	1.112 [28.24]	1.132 [28.75]	1.35 [34.3]
203M218	27	18	12	1.062-18 UNEF	1.218 [30.94]	1.218 [30.94]	1.40 [35.6]
203M220	37	20	14	1.188-18 UNEF	1.345 [34.16]	1.345 [34.16]	1.46 [37.1]
203M222		22	16	1.312-18 UNEF	1.468 [37.29]	1.468 [37.29]	1.53 [38.9]
203M224		24	18	1.438-18 UNEF	1.593 [40.46]	1.593 [40.46]	1.59 [40.4]
203M228		28	22	1.750-18 UNS	1.969 [50.01]	1.969 [50.01]	1.78 [45.2]
203M232		32	24	2.000-18 UNS	2.219 [56.36]	2.219 [56.36]	1.90 [48.3]
203M236		36	28	2.250-16 UN	2.469 [62.71]	2.469 [62.71]	2.03 [51.6]
203M240		40	28	2.500-16 UN	2.719 [69.06]	2.719 [69.06]	2.15 [54.6]
203M244		44	28	2.750-16 UN	2.969 [75.41]	2.969 [75.41]	2.28 [57.9]
203M248		48	28	3.000-16 UN	3.219 [81.76]	3.219 [81.76]	2.40 [61.0]
203M261	61		18	1.500-18 UNEF	1.653 [41.99]	1.653 [41.99]	1.62 [41.1]

If this document is printed it becomes uncontrolled.  
Check for the latest revision.

SIZE A	CODE IDENT. NO. 06090	DWG. NO. 203M2XX	REV P
DO NOT SCALE THIS DWG		CAD NAME \ACAD12\203M2X-3	SHEET 3 OF 4

TABLE II						
ENTRY SIZE	K MAX	Z ±.020 [±0.51]	Y DIA MIN	J MAX	W MAX	H MAX
03	NA	.187 [4.75]	.393 [9.98]	NA	1.12 [28.4]	NA
04	NA	.250 [6.35]	.456 [11.58]	NA	1.12 [28.4]	NA
05	.80 [20.3]	.312 [7.92]	.515 [13.08]	1.16 [29.5]	1.19 [30.2]	1.19 [30.2]
06	.80 [20.3]	.375 [9.53]	.581 [14.76]	1.16 [29.5]	1.25 [31.8]	1.19 [30.2]
07	.92 [23.4]	.438 [11.13]	.643 [16.33]	1.22 [31.0]	1.31 [33.3]	1.38 [35.1]
08	.92 [23.4]	.500 [12.70]	.705 [17.91]	1.22 [31.0]	1.38 [35.1]	1.38 [35.1]
09	1.18 [30.0]	.562 [14.27]	.705 [17.91]	1.35 [34.3]	1.50 [38.1]	1.51 [38.4]
10	1.18 [30.0]	.625 [15.88]	.831 [21.11]	1.35 [34.3]	1.50 [38.1]	1.51 [38.4]
11	1.18 [30.0]	.688 [17.48]	.893 [22.68]	1.40 [35.6]	1.62 [41.1]	1.63 [41.4]
12	1.35 [34.3]	.750 [19.05]	.953 [24.21]	1.40 [35.6]	1.62 [41.1]	1.63 [41.4]
13	1.41 [35.8]	.812 [20.62]	.953 [24.21]	1.46 [37.1]	1.75 [44.5]	1.78 [45.2]
14	1.41 [35.8]	.875 [22.23]	1.081 [27.46]	1.46 [37.1]	1.75 [44.5]	1.78 [45.2]
15	1.60 [40.6]	.938 [23.83]	1.143 [29.03]	1.53 [38.9]	1.88 [47.8]	1.88 [47.8]
16	1.60 [40.6]	1.000 [25.40]	1.205 [30.61]	1.53 [38.9]	1.88 [47.8]	1.88 [47.8]
18	1.66 [42.2]	1.125 [28.58]	1.381 [35.08]	1.59 [40.4]	2.00 [50.8]	2.01 [51.1]
20	2.04 [51.8]	1.250 [31.75]	1.506 [38.25]	1.78 [45.2]	2.12 [53.8]	2.13 [54.1]
22	2.23 [56.6]	1.375 [34.93]	1.631 [41.43]	1.85 [47.0]	2.24 [56.9]	2.29 [58.2]
24	2.23 [56.6]	1.500 [38.10]	1.756 [44.60]	1.92 [48.8]	2.36 [59.9]	2.42 [61.5]
28	2.48 [63.0]	1.750 [44.45]	2.004 [50.90]	2.17 [55.1]	2.60 [66.0]	2.67 [67.8]

If this document is printed it becomes uncontrolled.  
Check for the latest revision.

SIZE A	CODE IDENT. NO. 06090	DWG. NO. 203M2XX	REV P
DO NOT SCALE THIS DWG		CAD NAME \ACAD12\203M2X-4	SHEET 4 OF 4