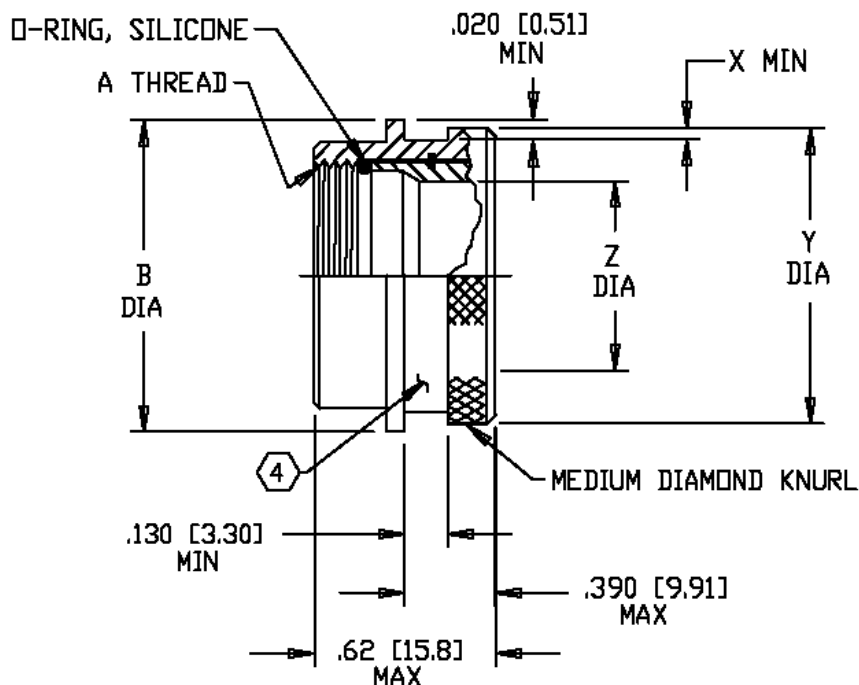


THIS DRAWING AND THE INFORMATION SET FORTH HEREON ARE THE PROPERTY OF TYCO ELECTRONICS AND ARE TO BE HELD IN TRUST AND CONFIDENCE. PUBLICATION, DUPLICATION, DISCLOSURE, OR USE FOR ANY PURPOSE NOT EXPRESSLY AUTHORIZED IN WRITING BY TYCO ELECTRONICS IS PROHIBITED.

REVISIONS			
LTR	DESCRIPTION	DATE	APPROVED
F	REVISED PER ECO-13-017791	10/31/13	I MYONG


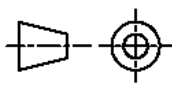



NOTES:

1. THIS PRODUCT IS DESIGNED TO TERMINATE A HEAT SHRINKABLE LIPPED BOOT TO A CONNECTOR.
2. FOR ADDITIONAL DIMENSIONS, ORDERING INFORMATION AND MODIFICATIONS, SEE CH00-0250-004.
3. ADAPTER TO BE PERMANENTLY MARKED WITH CODE IDENT. NO. AND PART NO. (E.G., 06090-203M612-19B).
- ④ KNURL INSIDE BOOT GROOVE MAY BE SUPPLIED AT MANUFACTURE'S OPTION.
- ⑤ ADAPTER MATES TO MIL-C-26482 SERIES I, MS3110, MS3111, MS3116 CLASS E & F CONNECTORS.

(C) 2008-2013 Tyco Electronics Corporation. All Rights Reserved

Raychem Adapters
CUSTOMER DRAWING

UNLESS OTHERWISE SPECIFIED DIMENSIONS ARE INCHES. METRIC DIMENSIONS ARE IN BRACKETS.	DRAWN	N SWATKO	DATE	31OCT13	 TE Connectivity
	DECIMAL TOLERANCES	.XXX ± -	[-	MM]	
	.XX ± -	[-	MM]		
	.X ± -	[-	MM]		
ANGLE TOLERANCE	.X ± -				
Dwg FILE 203M6XX_F	THIRD ANGLE PROJECTION				SIZE A
	DO NOT SCALE THIS DRAWING		CODE IDENT. NO. 06090	DWG. NO. 203M6XX	REV
				SHEET 1 OF 2 F	

BASE PART NUMBER	SHELL SIZE 	A THREAD CLASS 2B	B DIA MAX	X MIN	Y +.020 -.000 [+0.25] [-0.00] DIA	Z MIN
203M608	8	.438-28 UNEF	.77 [19.6]	.044 [1.12]	.704 [17.88]	.261 [6.63]
203M610	10	.562-24 UNEF	.89 [22.6]	↑ ↓	.829 [21.06]	.365 [9.27]
203M612	12	.688-24 UNEF	1.02 [25.9]		.954 [24.23]	.511 [12.98]
203M614	14	.812-20 UNEF	1.14 [29.0]	.044 [1.12]	1.079 [27.41]	.605 [15.37]
203M616	16	.938-20 UNEF	1.27 [32.3]	.069 [1.75]	1.254 [31.85]	.730 [18.54]
203M618	18	1.062-18 UNEF	1.39 [35.3]	↑ ↓	1.316 [33.03]	.823 [20.91]
203M620	20	1.188-18 UNEF	1.52 [38.6]		1.442 [36.63]	.949 [24.11]
203M622	22	1.312-18 UNEF	1.64 [41.7]	↑ ↓	1.566 [39.78]	1.074 [27.28]
203M624	24	1.438-18 UNEF	1.77 [45.0]		.069 [1.75]	1.692 [42.98]

If this document is printed it becomes uncontrolled. Check for the latest revision

SIZE	CODE IDENT. NO.	DWG. NO.	REV
A	06090	203M6XX	F
DO NOT SCALE THIS DWG		CAD NAME	SHEET 2 OF 2
		203M6X_2_F	