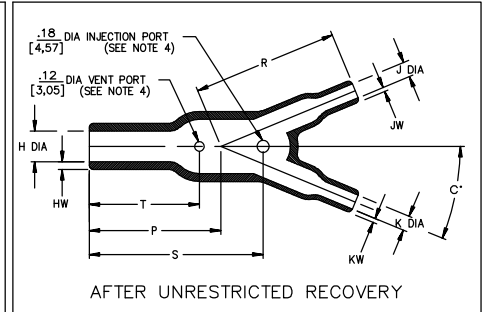
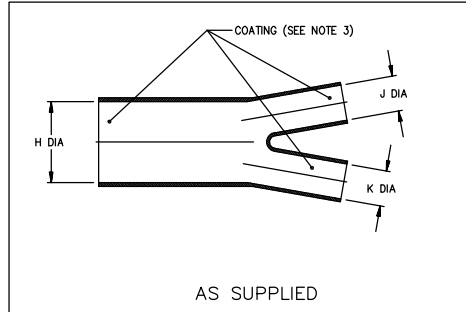


Thermofit[®] Molded Parts Specification Control Drawing

Part Number : 382A012 thru 046
Description : Transition, Y

NOTES

- All dimensions are in $\frac{\text{inches}}{\text{[millimeters]}}$; $\frac{\text{lbs}}{\text{[gms]}}$
- Dimensions appearing in table are as follows:
 - a - As Supplied
 - b - After Unrestricted Recovery
- Coating is optional. As supplied dimensions appearing in table are for uncoated parts. When coating is added, entry diameters will be reduced by .06 max.
- Molding ports are optional. When -00 modification number is specified molding ports will be located as shown.
- Weight shown in table of dimensions is based on polyolefin part.



PART NUMBER	H		J		K		P	R	S	T	HW	JW & KW	C	Weight
	Min	Max	Min	Max	Min	Max								
	a	b	a	b	a	b								
382A012	.52 [13,2]	.24 [6,1]	.26 [6,6]	.13 [3,3]	.26 [6,6]	.13 [3,3]	.88 [22,4]	.76 [19,3]	.94 [23,9]	.61 [15,5]	.06 [1,52]	.04 [1,02]	22 1/2"	.004 [1,81]
382A023	1.06 [26,9]	.49 [12,4]	.52 [13,2]	.24 [6,1]	.52 [13,2]	.24 [6,1]	1.50 [38,1]	1.70 [43,2]	2.10 [53,3]	1.30 [33,0]	.10 [2,54]	.06 [1,52]	22 1/2"	.026 [1,79]
382A034	1.52 [38,6]	.71 [18,0]	1.06 [26,9]	.49 [12,4]	1.06 [26,9]	.49 [12,4]	2.58 [65,5]	3.10 [78,7]	3.10 [78,7]	2.20 [55,9]	.12 [3,05]	.10 [2,54]	22 1/2"	.141 [63,96]
382A046	2.19 [55,6]	1.02 [25,9]	1.06 [26,9]	.50 [12,7]	1.06 [26,9]	.50 [12,7]	3.35 [85,1]	3.70 [94,0]	4.40 [111,8]	2.80 [71,1]	.18 [4,57]	.10 [2,54]	22 1/2"	.249 [112,95]



Revision : T1
Date : 29MAR11

Part Number : 382A012 thru 046
Description : Transition, Y

Thermofit[®] Molded Parts Specification Control Drawing

Part Number : 382A012 thru 046
Description : Transition, Y

MATERIAL DASH NO.	MATERIAL DESCRIPTION	RT SPEC	COATING SLASH NO.	COATING S NO.	COATING DESCRIPTION
-3	Polyolefin, Semi-rigid	RT-301	/42; /86; /87	S-1017; S-1048; S-1052	Adhesive
-4	Polyolefin, Flexible	RT-1304	/42; /86; /87; /180	S-1017; S-1048; S-1052; S-1030	Adhesive
-5	Elastomer, Flexible	RT-501	/42	S-1017	Adhesive
-6	Silicone	RT-602	N/A		
-12	*VITON, Flexible	RT-1312	N/A		
-25	Elastomer, Fluid Resistant	RT-1325	/42; /86	S-1017; S-1048	Adhesive
-100	Polyolefin, Semi-flexible ZEROHAL™	RT-1323	/86; /180	S-1048; S-1030	Adhesive

*VITON is a Registered Trademark of Dupont

ORDERING INFORMATION

382A0XX -XX -XX /XXX

- Base part number
- Material dash number (See Compatibility Chart)
- Modification number (If necessary, see front of scd binder for a complete list)
- Adhesive slash number (If necessary, see Compatibility Chart)

SUPERSEDED
NOT the LATEST
REVISION

THIS DRAWING IS SUBJECT TO CHANGE WITHOUT NOTICE; CONSULT YOUR NEAREST FIELD REPRESENTATIVE FOR CURRENT REVISION



Revision : T1
Date : 29MAR11

Part Number : 382A012 thru 046
Description : Transition, Y