



Wire & Cable > Power Cable



Cable Type: **Power**

Number of Strands: **1665**

Strand Size: **36 AWG**

Voltage Rating: **600 VAC**

Insulation Material: **Radiation-Crosslinked, Modified Flexible ETFE**

## Features

### Product Type Features

Cable Type	Power
Cable Insulation Style	Double
Cable Style	Primary
Wall Type	Single
Product Type	Wire
Product Classification	Wire - Spec 80 (FlexLine)

### Configuration Features

Number of Strands	1665
Number of Conductors	1

### Electrical Characteristics

Voltage Rating	600 VAC
----------------	---------

### Body Features

Conductor Stranding	High Strand Count Conductor
Insulation Material	Radiation-Crosslinked, Modified Flexible ETFE
Jacket Color	Red
Wire Color	RD
Conductor Material	Tin-Plated Copper

### Dimensions

Length	50 ft
Strand Size	36 AWG
Wire Size	8.37 mm <sup>2</sup>
	.195 in

### Usage Conditions

Operating Temperature Range	-65 – 150 °C
-----------------------------	--------------

### Operation/Application

Wire Class	Equipment
------------	-----------

### Packaging Features

Packaging Method	Reel
------------------	------

## Product Compliance

[For compliance documentation, visit the product page on TE.com>](#)

EU RoHS Directive 2011/65/EU	Compliant
EU ELV Directive 2000/53/EC	Compliant
China RoHS 2 Directive MIIT Order No 32, 2016	No Restricted Materials Above Threshold
EU REACH Regulation (EC) No. 1907/2006	Current ECHA Candidate List: JAN 2019 (197) Candidate List Declared Against: JAN 2019 (197)
Halogen Content	Out of Scope - excluded from Halogen requirements
Solder Process Capability	Not applicable for solder process capability

#### Product Compliance Disclaimer

This information is provided based on reasonable inquiry of our suppliers and represents our current actual knowledge based on the information they provided. This information is subject to change. The part numbers that TE has identified as EU RoHS compliant have a maximum concentration of 0.1% by weight in homogenous materials for lead, hexavalent chromium, mercury, PBB, PBDE, DBP, BBP, DEHP, DIBP, and 0.01% for cadmium, or qualify for an exemption to these limits as defined in the Annexes of Directive 2011/65/EU (RoHS2). Finished electrical and electronic equipment products will be CE marked as required by Directive 2011/65/EU. Components may not be CE marked. Additionally, the part numbers that TE has identified as EU ELV compliant have a maximum concentration of 0.1% by weight in homogenous materials for lead, hexavalent chromium, and mercury, and 0.01% for cadmium, or qualify for an exemption to these limits as defined in the Annexes of Directive 2000/53/EC (ELV). Regarding the REACH Regulations, TE's information on SVHC in articles for this part number is still based on the European Chemical Agency (ECHA) 'Guidance on requirements for substances in articles' (Version: 2, April 2011), applying the 0.1% weight on weight concentration threshold at the finished product level. TE is aware of the European Court of Justice ruling of September 10th, 2015 also known as O5A (Once An Article Always An Article) stating that, in case of 'complex object', the threshold for a SVHC must be applied to both the product as a whole and simultaneously to each of the articles forming part of its composition. TE has evaluated this ruling based on the new ECHA "Guidance on requirements for substances in articles" (June 2017, version 4.0) and will be updating its statements accordingly.

## Also in the Series | Raychem 82 Series

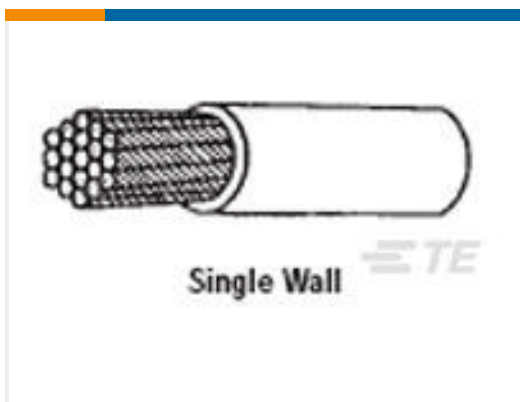


Aluminum Wire & Cable(4)



Power Cable(33)

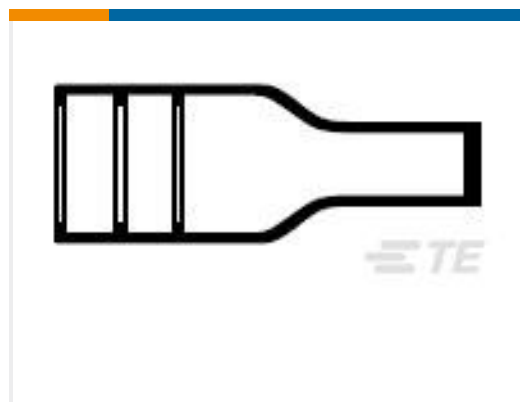
## Customers Also Bought



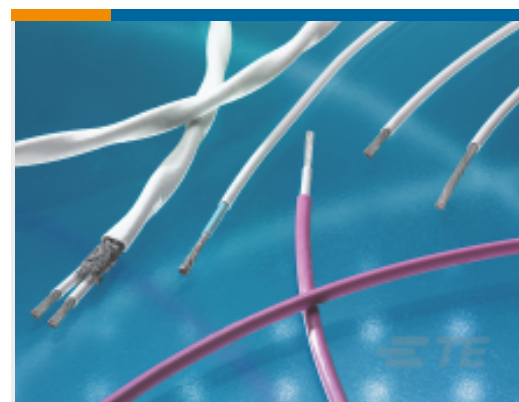
TE Part #711711-000  
82A0111-8-0



TE Part #310717-000  
D-600-0429-01



TE Part #808023-000  
202D121-3-00-0



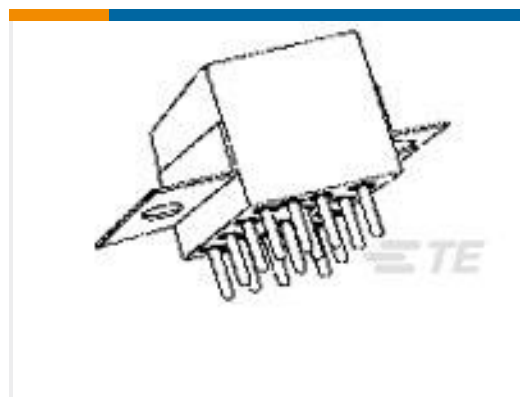
TE Part #EM3179-000  
55A0132-16-0/5/9



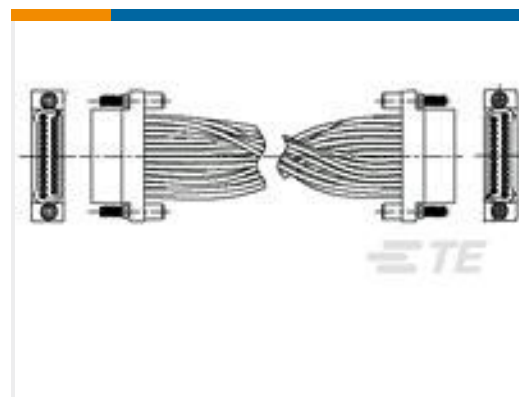
TE Part #  
YACT20MG35PBV00100  
SQUARE FLANGE  
RECEPTACLE



TE Part #  
YACT26JJ37JNV00100  
STRAIGHT PLUG



TE Part #7-1617760-3  
FCB-405-0612L=M83536/6-012L



TE Part #1589676-7  
JTM065PR2DC003N =  
WDUALOBE



TE Part #5-1589956-0  
STM06512670L2CN = SMT  
Conn

## Documents

### Product Drawings

82A0111-8-2

English

### Product Specifications

Product Specification

English

82A0111-8-2

TE Part # 842511-000  
TE Internal #: 82A0111-8-2

