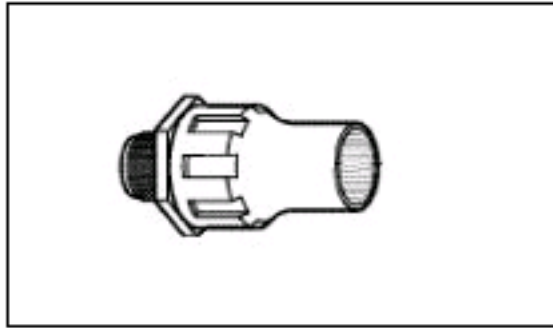




CES-3-A150 Product Details

[Share](#) [Print](#) [Email](#)


CES-3-A150

TE Internal Number: 654258-001

[Active](#)

Heat Shrinkable Cable Entry Seals

[Always EU RoHS/ELV Compliant \(Statement of Compliance\)](#)

Product Highlights:

- Nylon Material, Polyolefin Flame Retardant Material
- Straight
- Product Style = Threaded
- 1 Legs
- Overall Length = 117.35 mm

[View all Features](#)

Quick Links

- ▶ [Check Pricing & Availability](#)
- ▶ [Search for Tooling](#)
- ▶ [Product Feature Selector](#)
- ▶ [Contact Us About This Product](#)

[Add to My Part List](#) [Request Sample](#) [Find Similar Products](#) [Buy Product](#)

Documentation & Additional Information

Product Drawings:

- [Customer Drawing](#) (PDF, English)

Catalog Pages/Data Sheets:

- None Available

Product Specifications:

- None Available

Application Specifications:

- None Available

Instruction Sheets:

- None Available

CAD Files:

- None Available

Additional Information:

- [Product Line Information](#)

Related Products:

- [Tooling](#)

[List all Documents](#)

Product Features (Please use the Product Drawing for all design activity)

Product Type Features:

- Material = Nylon, Polyolefin Flame Retardant
- [Angle](#) = Straight
- [Product Style](#) = Threaded
- Thread Size = 1-1/2 -11 1/2
- Heat Shrinkable = Yes

Electrical Characteristics:

- [Expanded ID, Min. \(mm \[in\]\)](#) = 28.45 [1.120]
- [Recovered ID, Max. \(mm \[in\]\)](#) = 12.70 [0.500]

Body Features:

- [Number of Legs](#) = 1
- Overall Length (mm [in]) = 117.35 [4.620]

Industry Standards:

- [RoHS/ELV Compliance](#) = RoHS compliant, ELV compliant
- [Lead Free Solder Processes](#) = Not relevant for lead free process
- RoHS/ELV Compliance History = Always was RoHS compliant

Other:

- Brand = Raychem
- Comment = Molded part has hot-melt adhesive preinstalled.

Corporate Information

[About TE](#)
[Investors](#)
[News Room](#)
[Supplier Portal](#)
[Careers](#)

Quick Links

[Check Distributor Inventory](#)
[Cross Reference Products](#)
[Find Documents & Drawings](#)
[Product Compliance Support Center](#)
[Site Map](#)

Customer Support

[Email or Chat With Us](#)
[Find a Phone Number](#)
[Search Knowledge Base](#)
[Manage Your Account](#)

Keep Me Informed

Receive TE News, Events & Technology Updates

[>](#)

