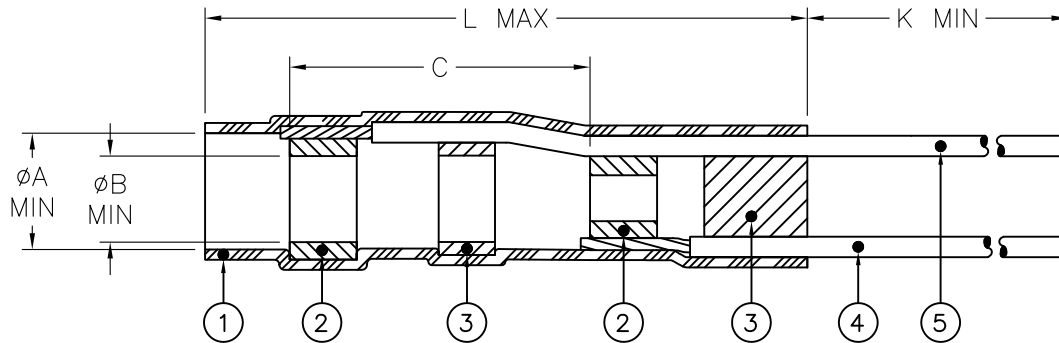


REVISION		
REV	DESCRIPTION	APPROVED
C	REVISED & REDRAWN PER ECO-17-011638	A.REY



Product Dimensions							Cable Dimensions				
Product Name	Product Revision	øA min	øB min	C±1.3 (C±.05)	L±1.5 (L±.06)	K min	øD	øE	øF min	G±0.5 (G±.02)	M±0.5 (M±.02)
D-133-06	L	4.95 (.195)	4.70 (.185)	12.7 (.50)	28 (1.10)	150 (5.905)	2.3 (.090) to 4.95 (.195)	1.9 (.075) to 4.70 (.185)	0.3 (0.015)	19 (0.748)	6 (0.235)

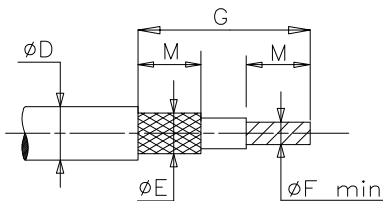
MATERIAL

- INSULATION SLEEVE: Heat-shrinkable, transparent blue, radiation cross-linked modified polyvinylidene fluoride.
- SOLDER PREFORM WITH FLUX:
SOLDER: TYPE Sn63 per ANSI-J-STD-006.
FLUX: TYPE ROL1 per ANSI-J-STD-004.
- MELTABLE INSERTS: Thermally stabilized thermoplastic.
- CONDUCTOR LEAD: Raychem 55A0111-22-9 in accordance with MIL-W-22759/32, AWG 22, stranded tin plated copper. Color: white.
- GROUND LEAD: Raychem 55A0111-22-0 in accordance with MIL-W-22759/32, AWG 22, stranded tin plated copper. Color: black.

APPLICATION

- This controlled soldering device is designed for termination of a coaxial cable to a connector, printed circuit board, etc. It will terminate tin or silver plated copper center conductor and single or double tin or silver plated copper braid of a coaxial cable, having an insulation rated for at least +125°C.
- Temperature range: -55°C to +150°C. For installation procedure, RPIP-500-03.

For best results, prepare the cable as shown:



© 2017 TE CONNECTIVITY Corporation. All Rights Reserved. *A trademark of TE corporation.

CUSTOMER DRAWING

				TITLE: COAXIAL SOLDER SLEEVE* DEVICE with Pre-Installed Stranded Wires			
Unless otherwise specified, dimensions are in millimeters. [Inches dimensions are shown in brackets]				Raychem Devices		DOCUMENT NUMBER: D-133-06	
TOLERANCES: 0.00 N/A 0.0 N/A 0 N/A		ANGLES: N/A ROUGHNESS IN MICRON		Tyco Electronics reserves the right to amend this drawing at any time. Users should evaluate the suitability of the product for their application.		REV: C DATE: Aug 09, 2017	
DRAWN BY: M. FORONDA		DRAWN DATE: 7/24/1998		CAGE CODE: 09090		ECO NUMBER: ECO-17-011638	
				SCALE: NTS		SIZE: A	
				SHEET: 1 of 1			