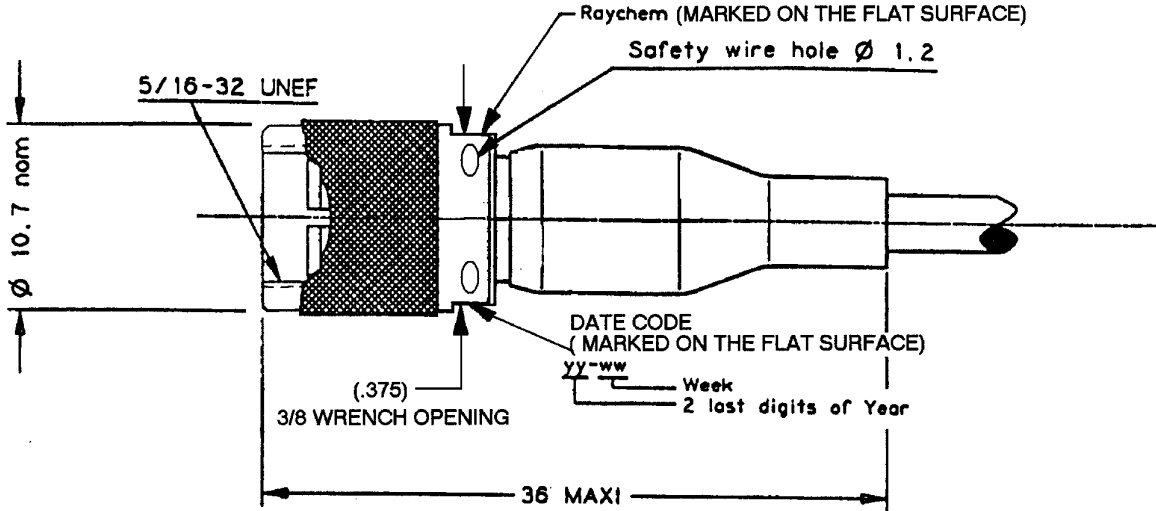


THREADED, COAXIAL CONNECTOR



PART NUMBERING SYSTEM

DK-3716-Fx21-Cy

Serie

Connector type

F : Plug

Cable type

1 : Single braid

2 : Double braid / Superscreened

Contact type

P : Pin

S : Socket

Coaxial cable

Serial Number

If this document is printed it becomes uncontrolled.  
Check with the web for latest revision.

Dimensions are in millimeters

DRAWN G. PONS Engineering	APPROVED R. DE GONTI Product Manager	REVISED PER DCR# T-24274 1/31/2000 REVISED PER DCR# T-24311 2/22/2000
APPROVED G. BRUN Development	APPROVED B. DAUVILLIERS Quality Assurance	PROJECT NUMBER CAD : T 24311 a.b.TIF

If this document is printed it becomes uncontrolled.  
Check with the web for latest revision.

**1 MATERIALS AND FINISHES**

- 1.1 Housing Body: Brass Alloy per QQ-B-626D  
Tin Plated per MIL-T-10727  
Over Nickel per MIL-C-26074
- 1.2 Coupling Nut: Brass Alloy per QQ-B-626D  
Tin Plated per MIL-T-10727  
Over Nickel per MIL-C-26074
- 1.3 Insulation (MIP): Polyethersulfone
- 1.4 Interfacial Seal: Silicone Rubber

**2 WIRE ACCOMMODATIONS**

- 2.1 The connector will terminate to a coaxial cable AWG 24.
- 2.2 Termination procedure : Raychem RPIP-703-00.

**3 INTERMATEABILITY**

- 3.1 This connector will mate with DK-3716-Exxx-yy.

**4 CONTACTS**

- 4.1 This connector will accommodate the following Raychem contacts :

Part No.	Description
D-602-0152	Coaxial, Pin
D-602-0153	Coaxial, Socket

**5 PERFORMANCE CAPABILITIES**

- 5.1 Designed to meet Raychem Performance Specification D-6025  
No qualification testing is scheduled. The user shall satisfy himself that the product is suitable for use under the conditions pertaining to his application.
- 5.2 General Characteristics
- 5.2.1 Maximum Operating Temperature : 150°C.
- 5.2.2 Current Rating : 3 amps maximum.
- 5.2.3 Insulation Resistance : 5000 megohms minimum.
- 5.2.4 High Potential, Mated, Sea Level : 900 volts at 60 Hz.
- 5.2.5 Contact Resistance, Initial : 8 milliohms maximum.
- 5.2.6 Connector Mating Coupling Torque : 1,13 m.N maximum.
- 5.2.7 Insertion Force : 1.4 kg maximum.
- 5.2.8 Withdrawal Force : 30 g maximum.
- 5.2.9 Contact Retention Terminated : 9 kg minimum.
- 5.2.10 Durability : 500 cycles.
- 5.2.11 Corrosion Resistance : 500 hours.
- 5.2.12 Weight : 12 g Max.