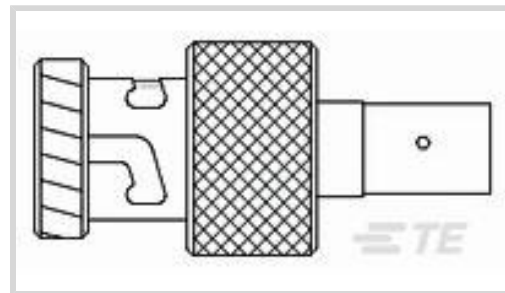




Cable Assemblies > Data Bus Components > Data Bus Connectors



Connector Type: **Plug**

Connector Style: **Bayonet**

Polarization (Bayonet Style): **C**

Features

Product Type Features

Product Type	Data Bus Component
Connector Type	Plug
Connector Style	Bayonet

Termination Features

Connection Type	Solder
-----------------	--------

Mechanical Attachment

Polarization (Bayonet Style)	C
------------------------------	---

Usage Conditions

Operating Temperature (Max)	125 °C
-----------------------------	--------

Product Compliance

[For compliance documentation, visit the product page on TE.com>](#)

EU RoHS Directive 2011/65/EU	Not Compliant
EU ELV Directive 2000/53/EC	Not Compliant
China RoHS 2 Directive MIIT Order No 32, 2016	Restricted Materials Above Threshold
EU REACH Regulation (EC) No. 1907/2006	欧洲化学品管理局最新发布的SvHCs候选清单: 2019年1月 (197) SvHCs候选清单的声明更新至: 2019年1月 (197)
Halogen Content	Low Halogen - Br, Cl, F, I < 900 ppm per homogenous material. Also BFR/CFR/PVC Free
Solder Process Capability	Not applicable for solder process capability

Product Compliance Disclaimer

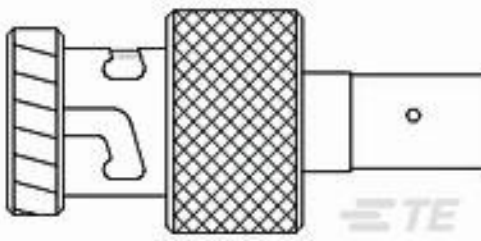
This information is provided based on reasonable inquiry of our suppliers and represents our current actual knowledge based on the information they provided. This information is subject to change. The part numbers that TE has identified as EU RoHS compliant have a maximum concentration of 0.1% by weight in homogenous materials for lead, hexavalent chromium, mercury, PBB, PBDE, DBP, BBP, DEHP, DIBP, and 0.01% for cadmium, or qualify for an exemption to these limits as defined in the Annexes of Directive 2011/65/EU (RoHS2). Finished electrical and electronic equipment products will be CE marked as required by Directive 2011/65/EU. Components may not be CE marked. Additionally, the part numbers that TE has identified as EU ELV compliant have a maximum concentration of 0.1% by weight in homogenous materials for lead, hexavalent chromium, and mercury, and 0.01% for cadmium, or qualify for an exemption to these limits as defined in the Annexes of Directive 2000/53/EC (ELV). Regarding the REACH Regulations, TE's information on SVHC in articles for this part number is still based on the European Chemical Agency (ECHA) 'Guidance on requirements for substances in articles' (Version: 2, April 2011), applying the 0.1% weight on weight concentration threshold at the finished product level. TE is aware of the European Court of Justice ruling of September 10th, 2015 also known as O5A (Once An Article Always An Article) stating that, in case of 'complex object', the threshold for a SVHC must be applied to both the product as a whole and simultaneously to each of the articles forming part of its composition. TE has evaluated this ruling based on the new ECHA "Guidance on requirements for substances in articles" (June 2017, version 4.0) and will be updating its statements accordingly.

Compatible Parts

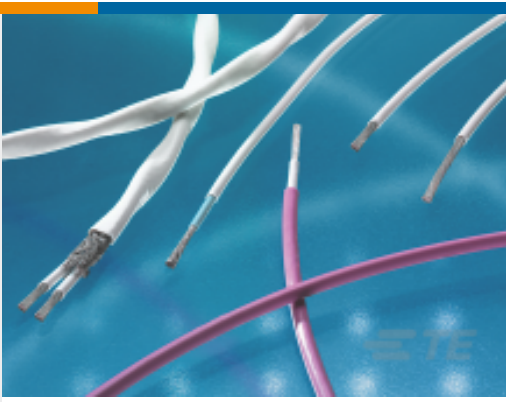


TE Part # 750984-004
[10612-24-9](#)

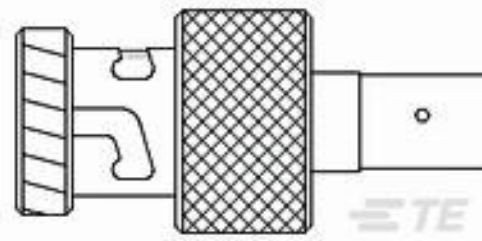
Customers Also Bought



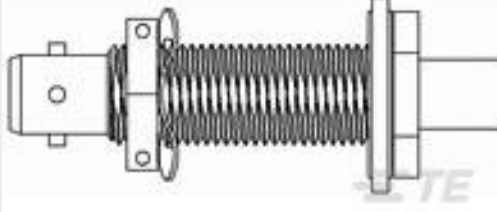
TE Part #524907-000
[DK-621-0433](#)



TE Part #308666-000
[55A4832-16-MST3-9CS2275](#)



TE Part #847037-000
[DK-621-0435](#)



TE Part #362346-000
[DK-621-0551](#)



TE Part #YDTS20F11-02BNV001
[RECP ASSY](#)



TE Part #DTS24F11-98SA
[RECP ASSY](#)



TE Part #YDTS24Z13-04BNV001
[RECP ASSY](#)



TE Part #627270-000
[TXR54AB90-1005AI](#)



Documents

Product Drawings

[DK-621-0437](#)

English

Datasheets & Catalog Pages

[Data Bus Components Brochure](#)

English

Product Specifications

[Product Specification](#)

English

Product Environmental Compliance

[REACH Substance Communication Document](#)

English

Instruction Sheets

[Instruction Sheet \(U.S.\)](#)

English