

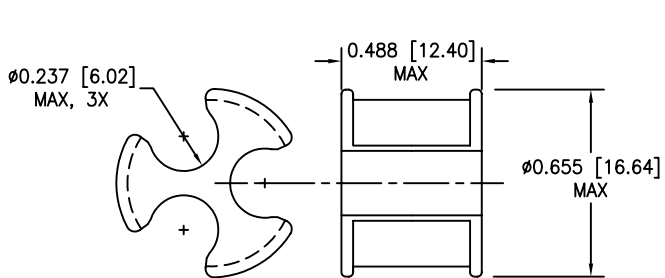
2

1

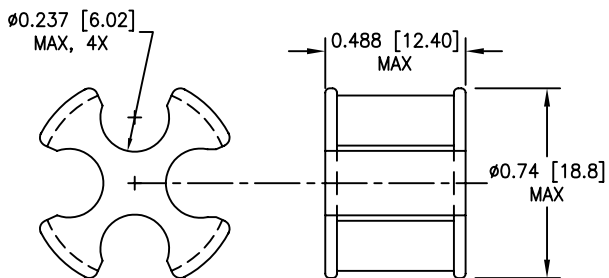
TYCO ELECTRONICS RESERVES THE RIGHT TO AMEND THIS DRAWING AT ANY TIME. USERS SHOULD EVALUATE THE SUITABILITY OF THE PRODUCT FOR THEIR APPLICATION.

REVISIONS

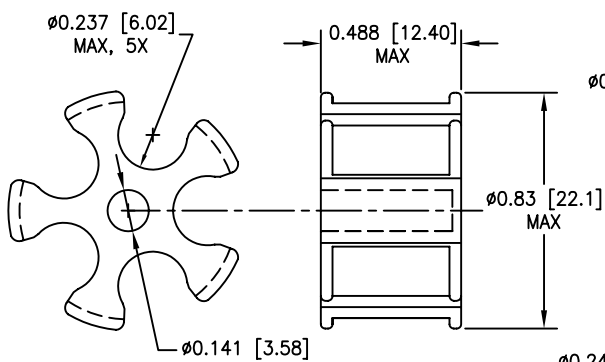
| LTR | DESCRIPTION                     | DATE    | APPROVED |
|-----|---------------------------------|---------|----------|
| A   | INITIAL RELEASE PER DCR D070160 | 16FEB07 | MPIOZET  |
| B   | REVISED PER ECO-09-020007       | 31AUG09 | MPIOZET  |



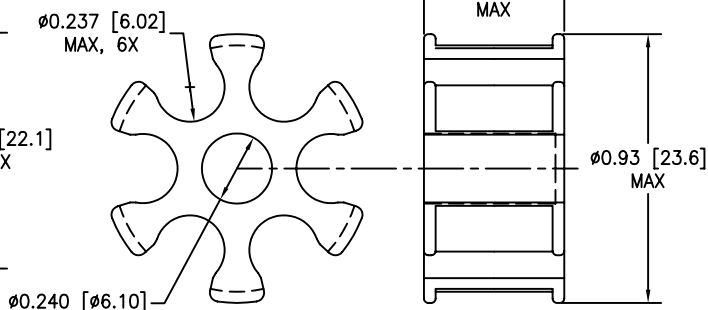
3 POSITION



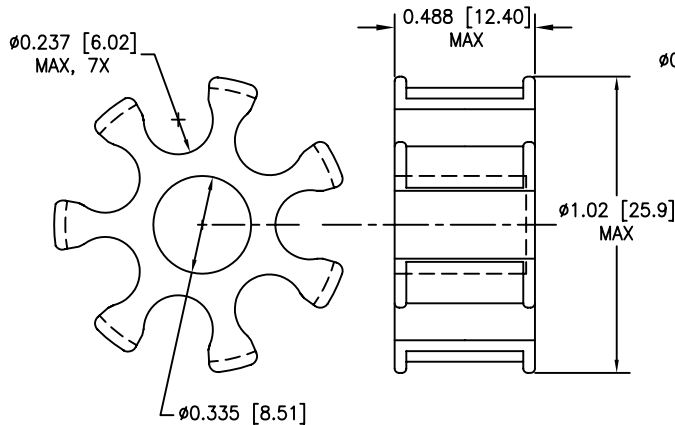
4 POSITION



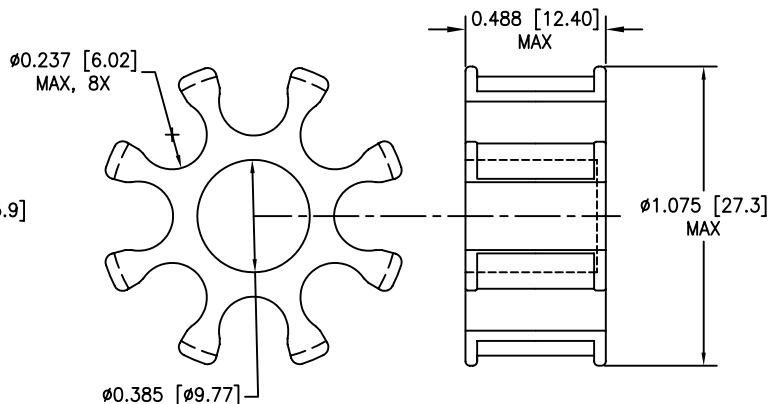
5 POSITION



6 POSITION



7 POSITION



8 POSITION

If this document is printed it becomes uncontrolled. Check for the latest revision

© 2007-2009 Tyco Electronics Corporation. All rights reserved.

CUSTOMER DRAWING

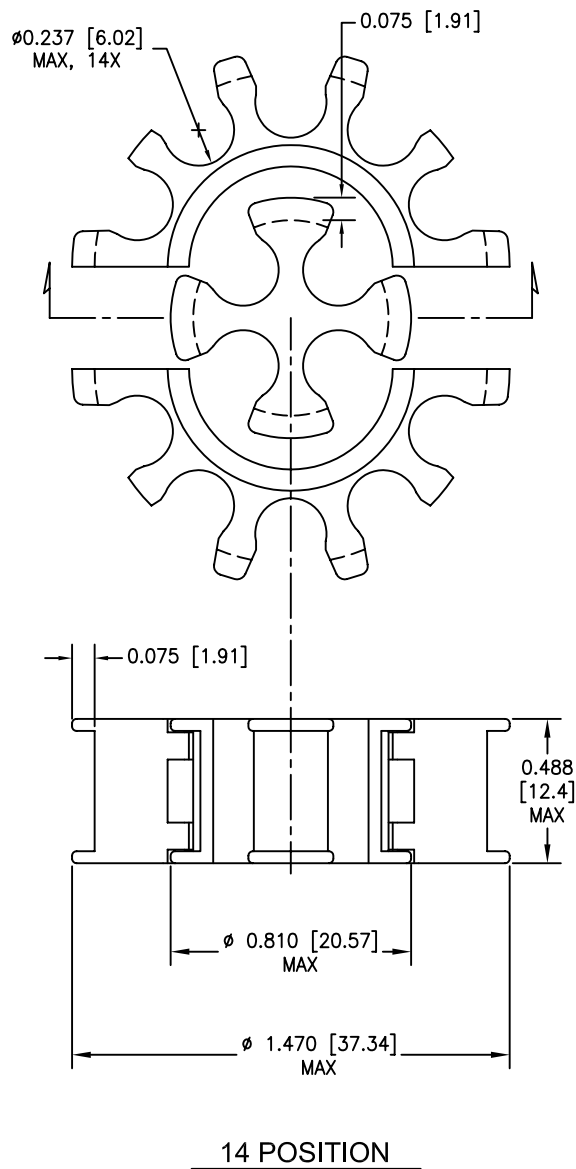
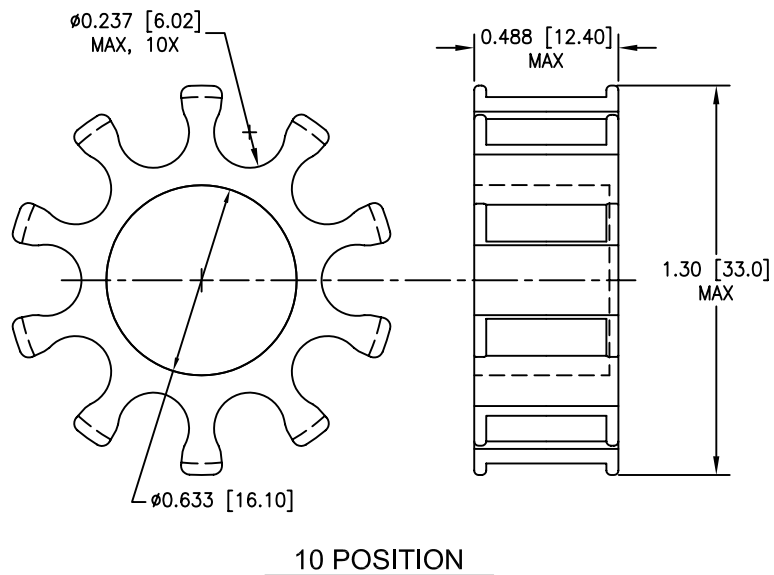
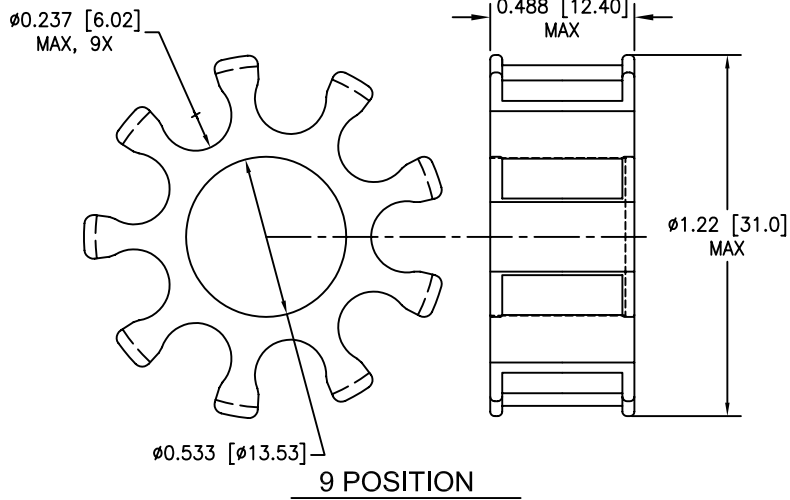
|   |   |   |  |
|---|---|---|--|
| UNLESS OTHERWISE SPECIFIED DIMENSIONS ARE IN INCHES. METRIC DIMENSIONS ARE IN BRACKETS.<br><br>DECIMALS<br>.XXX ± _____<br>.XX ± _____<br>ANGLES _____<br><br>WEIGHT<br>--- | DRAWN P.TALLY 16FEB07                                 |   | Tyco Electronics Corporation<br>300 Constitution Drive<br>Menlo Park, CA. 94025 U.S.A. |
|   | CHECKED   |   |  |
|   | APPROVED MPIOZET 16FEB07                              | TITLE<br>STAR, MULTI-POSITION<br>HEXASHIELD EMI TERMINATION<br>SYSTEM |  |
|   | REVISED P.TALLY 14AUG09<br>CAD NAME: FLX40-02X-XX.dwg | SIZE A<br>DO NOT SCALE THIS DRAWING                                   | CODE IDENT. NO. 06090  |
| THIRD ANGLE PROJECTION  |   |   |  |

2

1

2

1



If this document is printed it becomes uncontrolled. Check for the latest revision

### CUSTOMER DRAWING

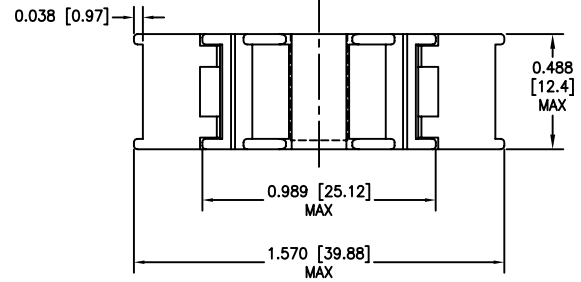
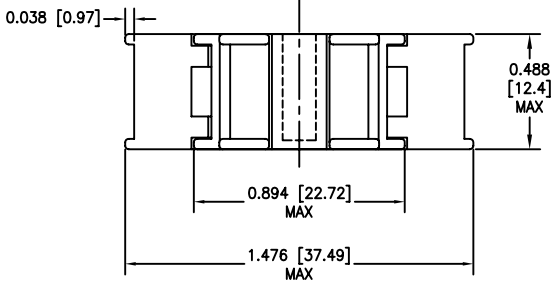
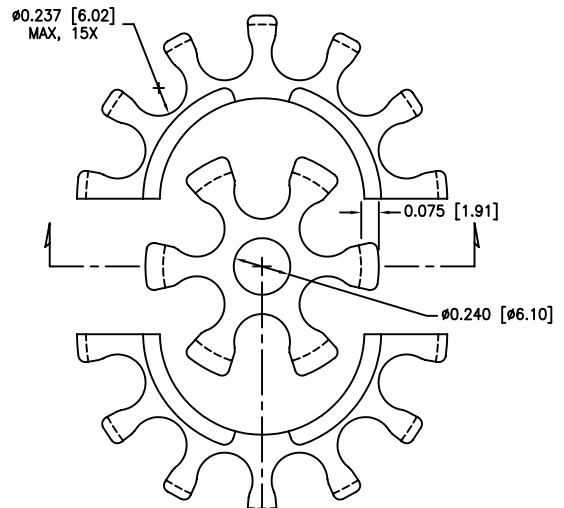
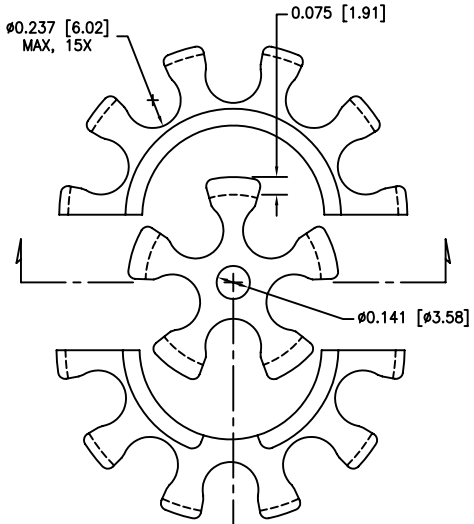
| SIZE                      | CODE IDENT. NO. | DWG. NO.                   | REV          |
|---------------------------|-----------------|----------------------------|--------------|
| A                         | 06090           | FLX40-02X-XX               | B            |
| DO NOT SCALE THIS DRAWING |                 | CAD NAME: FLX40-02X-XX.dwg | SHEET 2 OF 6 |

2

1

2

1



15 POSITION

18 POSITION

If this document is printed it becomes uncontrolled. Check for the latest revision

### CUSTOMER DRAWING

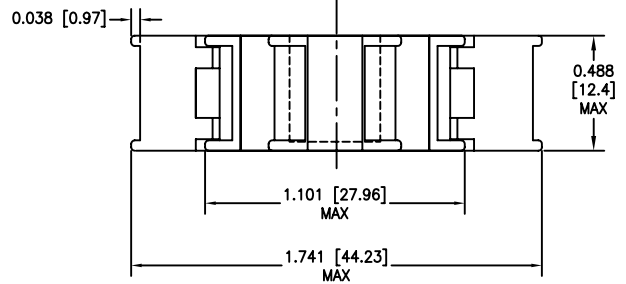
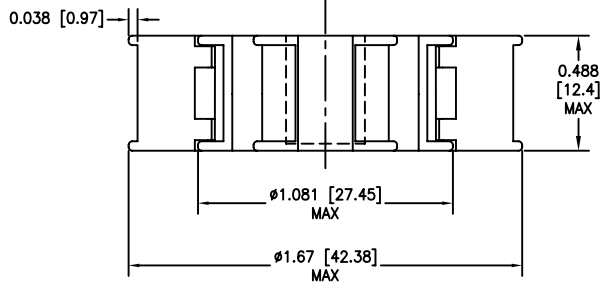
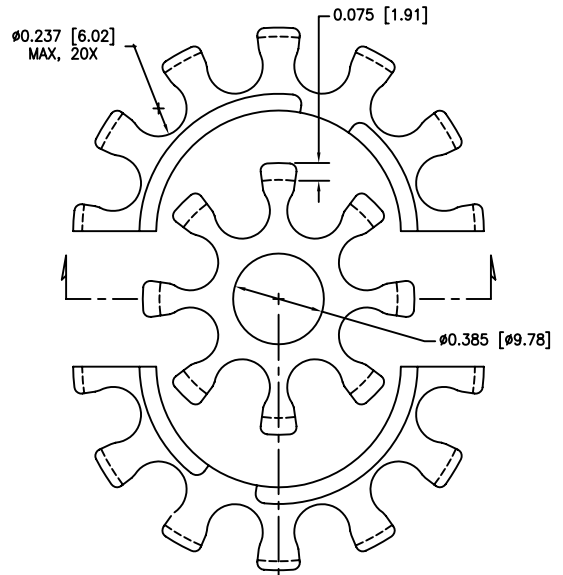
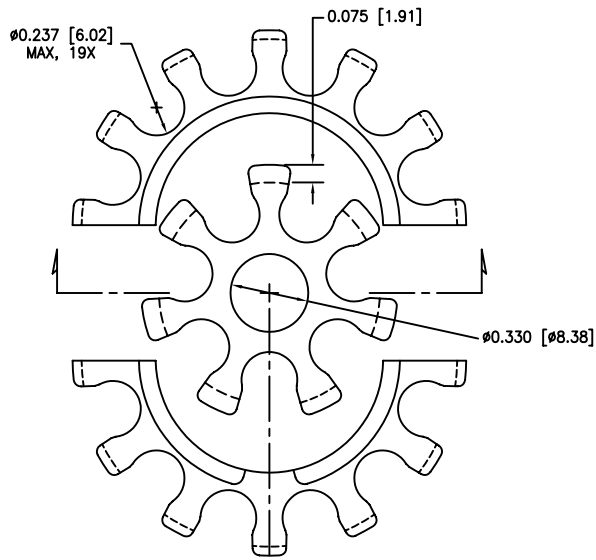
|                           |                          |                            |              |
|---------------------------|--------------------------|----------------------------|--------------|
| SIZE<br>A                 | CODE IDENT. NO.<br>06090 | DWG. NO.<br>FLX40-02X-XX   | REV<br>B     |
| DO NOT SCALE THIS DRAWING |                          | CAD NAME: FLX40-02X-XX.dwg | SHEET 3 OF 6 |

2

1

2

1



19 POSITION

20 POSITION

### CUSTOMER DRAWING

If this document is printed it becomes uncontrolled. Check for the latest revision

© 2007–2009 Tyco Electronics Corporation. All rights reserved.

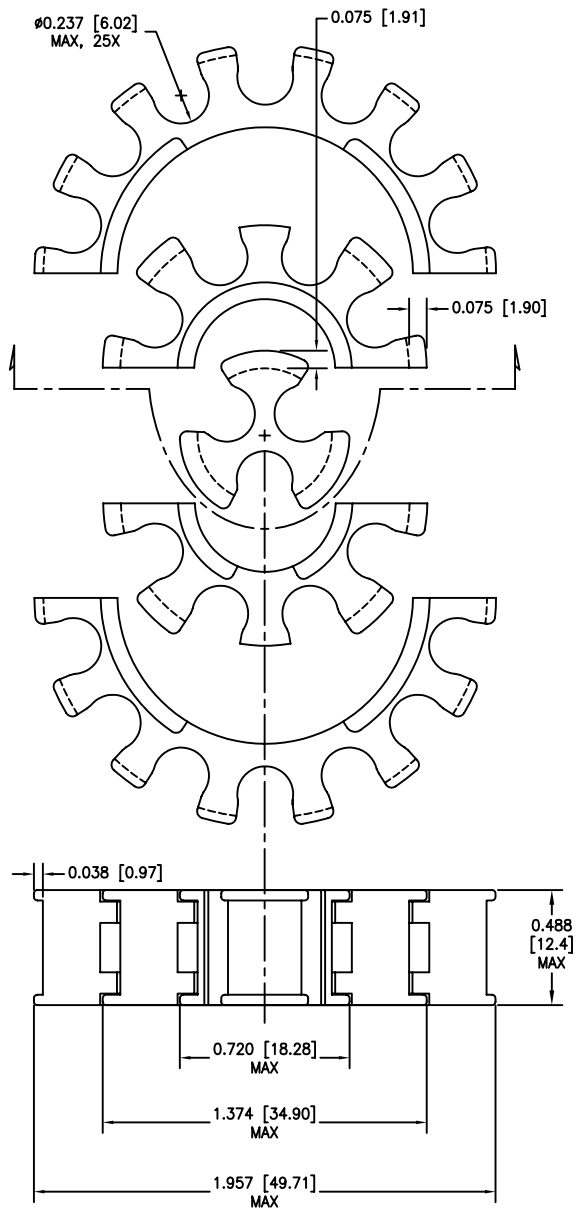
|                           |                          |                            |              |
|---------------------------|--------------------------|----------------------------|--------------|
| SIZE<br>A                 | CODE IDENT. NO.<br>06090 | DWG. NO.<br>FLX40-02X-XX   | REV<br>B     |
| DO NOT SCALE THIS DRAWING |                          | CAD NAME: FLX40-02X-XX.dwg | SHEET 4 OF 6 |

2

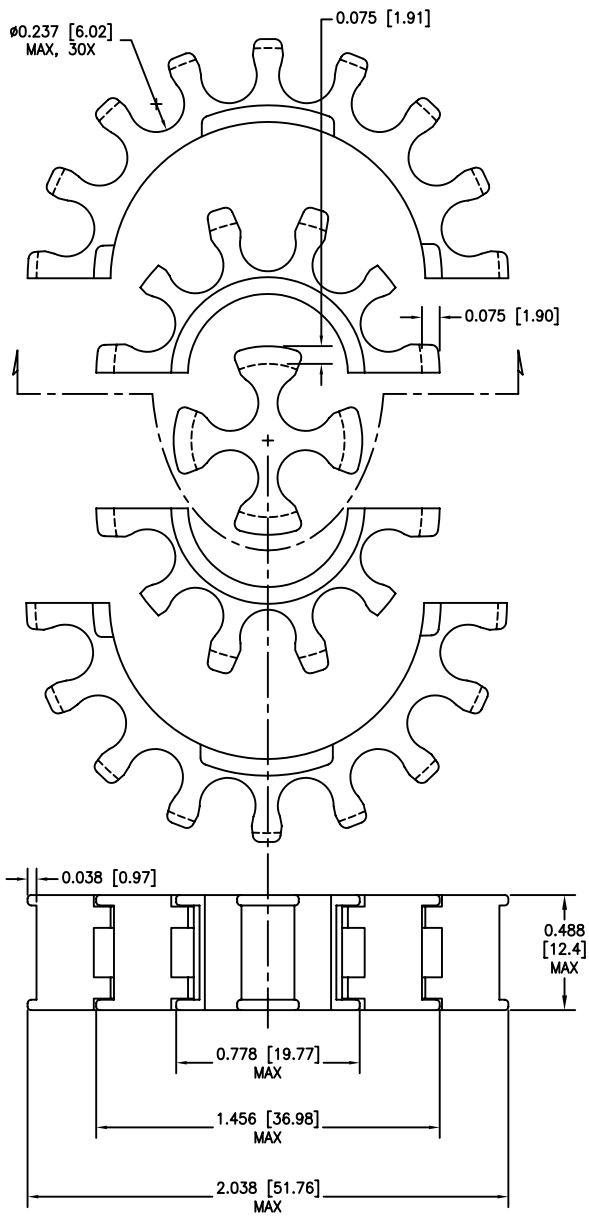
1

2

1



25 POSITION



30 POSITION

### CUSTOMER DRAWING

If this document is printed it becomes uncontrolled. Check for the latest revision

|                           |                 |                            |              |
|---------------------------|-----------------|----------------------------|--------------|
| SIZE                      | CODE IDENT. NO. | DWG. NO.                   | REV          |
| A                         | 06090           | FLX40-02X-XX               | B            |
| DO NOT SCALE THIS DRAWING |                 | CAD NAME: FLX40-02X-XX.dwg | SHEET 5 OF 6 |

2

1



**MATERIAL:**

BASE METAL – ALUMINUM ALLOY 6061–T651 OR EN AW 2011–T3.

**PLATINGS:**

- ELECTROLESS NICKEL CONFORMING TO SAE AMS–C–26074, CLASS 4, GRADE C.
- CADMIUM OLIVE DRAB CONFORMING TO SAE AMS–QQ–P–416 TYPE II, CLASS 3 (500 HOUR SALT SPRAY).

**APPLICATION:**

1. THESE DEVICES ARE DESIGNED TO BE USED IN A HEXASHIELD EMI TERMINATION SYSTEM.

**PART NUMBERING:**

**FLX40-02X-XX**

- 03: STAR, 3 POSITION
- 04: STAR, 4 POSITION
- 05: STAR, 5 POSITION
- 06: STAR, 6 POSITION
- 07: STAR, 7 POSITION
- 08: STAR, 8 POSITION
- 09: STAR, 9 POSITION
- 10: STAR, 10 POSITION
- 14: STAR, 14 POSITION
- 15: STAR, 15 POSITION
- 18: STAR, 18 POSITION
- 19: STAR, 19 POSITION
- 20: STAR, 20 POSITION
- 25: STAR, 25 POSITION
- 30: STAR, 30 POSITION
- 0: ELECTROLESS NICKEL
- 1: CADMIUM OLIVE DRAB

If this document is printed it becomes uncontrolled. Check for the latest revision

**CUSTOMER DRAWING**

| SIZE                      | CODE IDENT. NO. | DWG. NO.                   | REV          |
|---------------------------|-----------------|----------------------------|--------------|
| A                         | 06090           | FLX40-02X-XX               | B            |
| DO NOT SCALE THIS DRAWING |                 | CAD NAME: FLX40-02X-XX.dwg | SHEET 6 OF 6 |

