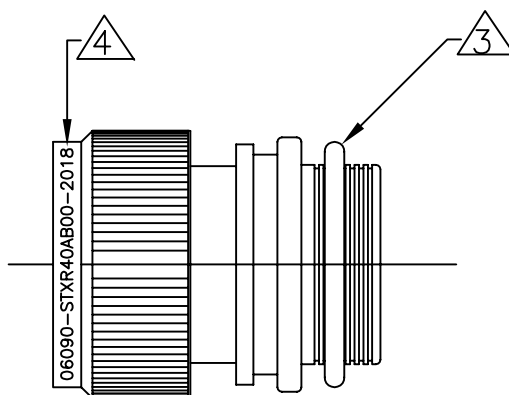


REVISION			
REV	DESCRIPTION	DATE	APPROVED
A1	REVISED PER ECO-11-005139	3/23/11	HMR
B	REVISED PER ECO-13-015802	10/08/13	I. MYONG



STXR40 TINEL-LOCK ADAPTER


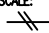

NOTES:

- THIS PRODUCT IS DESIGNED TO TERMINATE A BRAIDED CABLE SHIELD AND A HEAT SHRINKABLE LIPPED BOOT TO A CONNECTOR. SEE NOTE 6 BELOW.
- SEE SHEET 3 FOR TABLES OF DIMENSIONS, AND REFER TO CH00-0250-008 FOR PART ORDERING INFORMATION.
- SEE DRAWING TR FOR DETAIL ON TINEL-LOCK RING. RINGS ARE DESIGNATED TO BE HEATED ELECTRICALLY. ALL RINGS ARE MARKED WITH THERMOCHROMIC PAINT WHICH CHANGES COLOR WHEN INSTALLATION TEMPERATURE IS REACHED.
- ADAPTER TO BE PERMANENTLY MARKED WITH CODE IDENTIFICATION NUMBER AND PART NUMBER LESS RING DESIGNATOR. (e.g. 06090-STXR40AB00-2018). RING SHALL BEAR NO MARKING.
- TINEL-LOCK RING ENTRY SIZE AND BRAID DESIGNATOR IS TO BE SPECIFIED IN PART NUMBER WHEN ORDERING.
- ADAPTER MATES TO: MIL-DTL-38999L SERIES III AND IV, CLASS C, F, K, AND W, D38999/20, /24, /26, /40, /46, /47 CONNECTORS, WHEN SO MATED IT SHALL PROVIDE A WATER-TIGHT SEAL MEETING THE REQUIREMENTS OF MIL-DTL-85049, PARA 3.5.7.
- FOR MODIFICATIONS, ALTERNATIVE MATERIALS AND FINISHES NOT SHOWN CONTACT TYCO ELECTRONICS.
- PREFIX "S" DENOTES THAT THE ADAPTER HAS A LARGE ENTRY THAN THE STANDARD TXR BUT IS STILL OF THE TYPE I DESIGN.
- SEE SHEET 3 FOR TABLE OF ENTRY SIZE APPLICABLE TO THE STXR RANGE.

If this document is printed it becomes uncontrolled. Check for the latest revision

© 2013 Tyco Electronics Corporation. All rights reserved.

Raychem Adapters
CUSTOMER DRAWING

UNLESS OTHERWISE SPECIFIED DIMENSIONS ARE IN INCHES.		 TE Connectivity					
XXX ± .005 DECIMALS: XX ± .01 X ± .1	ANGLES: ± 1°			TITLE: TINEL-LOCK ADAPTER "STXR" SERIES CODE 40			
TYCO ELECTRONICS RESERVES THE RIGHT TO AMEND THE DRAWING AND THE INFORMATION SET FORTH HEREON AT ANY TIME. USERS SHOULD INDEPENDENTLY EVALUATE THE SUITABILITY OF THE PRODUCT FOR THEIR APPLICATION.		DOCUMENT NO: STXR40					
DRAWN: T. NGUYEN	CAD FILE: STXR	CAGE CODE: 06090	RPN:	SIZE: A	SCALE: 	THIRD ANGLE PROJ. 	SHEET: 1 OF 3

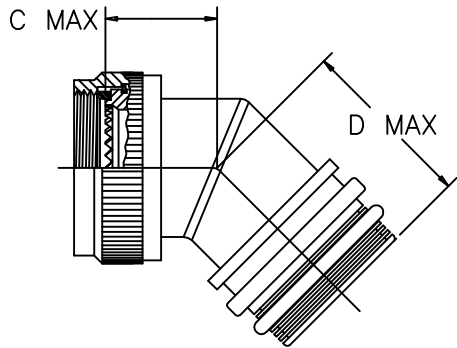
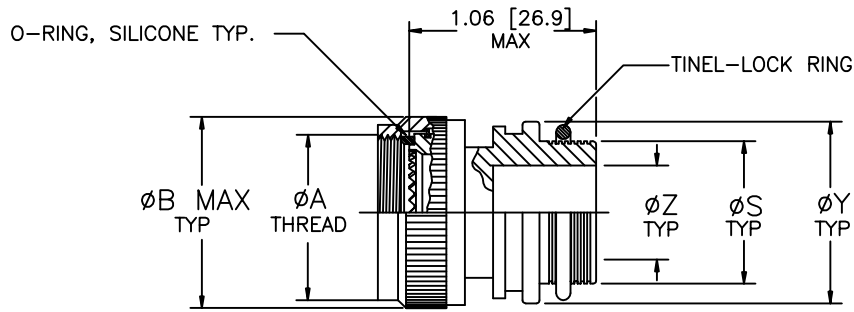


FIGURE 2
45° ADAPTER

FIGURE 1
STRAIGHT ADAPTER

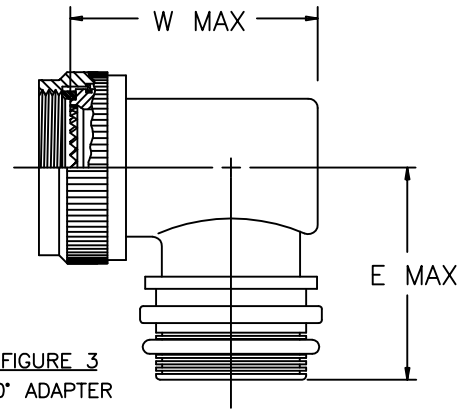
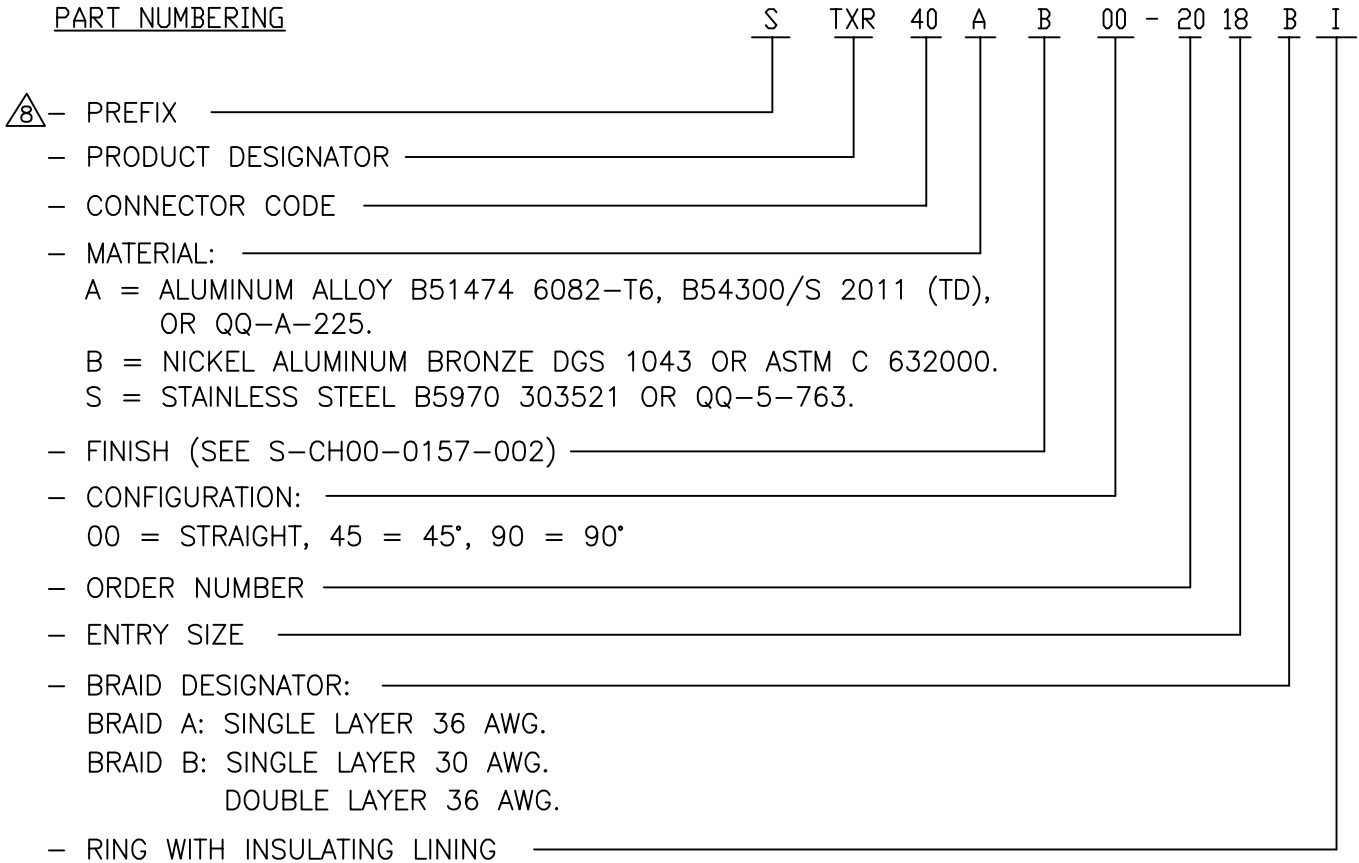


FIGURE 3
90° ADAPTER

PART NUMBERING



Raychem Adapters
CUSTOMER DRAWING

If this document is printed it becomes uncontrolled. Check for the latest revision

DOCUMENT NO:						STXR40					
CAGE CODE:	RPN:	SIZE:	SCALE:	THIRD ANGLE PROJ.	SHEET:						
06090		A			2 OF 3						

TABLE I



ORDER NUMBER	SHELL SIZE 		ENTRY SIZE 		ØA THREAD RH METRIC CLASS 6H	ØB MAX	ØC MAX	ØD MAX	ØE MAX	W MAX
	COM	MIL	MIN	MAX						
08	9	A	05	6	M12 x 1.0	.752 (19.1)	.819 (20.8)	.890 (22.6)	1.099 (27.9)	1.350 (34.3)
10	11	B	08	10	M15 x 1.0	.850 (21.6)	.338 (21.3)	.921 (23.4)	1.200 (30.5)	1.598 (40.6)
12	13	C	09	12	M18 x 1.0	1.000 (25.4)	.870 (22.1)	.949 (24.1)	1.259 (32.0)	1.728 (43.9)
14	15	D	12	16	M22 x 1.0	1.149 (29.2)	.890 (22.6)	.949 (24.1)	1.338 (34.0)	2.000 (50.8)
16	17	E	14	18	M25 x 1.0	1.252 (31.8)	.921 (23.4)	.980 (24.9)	1.401 (35.6)	2.130 (54.1)
18	19	F	16	20	M28 x 1.0	1.402 (35.6)	.945 (24.1)	1.012 (25.7)	1.449 (36.8)	2.252 (57.2)
20	21	G	18	22	M31 x 1.0	1.500 (38.1)	.968 (24.6)	1.039 (26.4)	1.512 (38.4)	2.252 (57.2)
22	23	H	20	24	M34 x 1.0	1.649 (41.9)	.988 (25.1)	1.071 (27.2)	1.751 (39.9)	2.252 (57.2)
24	25	J	22	24	M37 x 1.0	1.752 (44.5)	1.019 (25.9)	1.071 (27.2)	1.669 (42.4)	2.252 (57.2)

TABLE II

ENTRY SIZE	ØZ +0.25 -0.50	ØS	ØY
05	.311 (7.9)	.433/.437 (11.0/11.1)	.612 (15.5)
06	.374 (9.5)	.496/.503 (12.6/12.8)	.675 (17.1)
07	.437 (11.1)	.556/.563 (14.12/14.31)	.737 (18.7)
08	.500 (12.7)	.618/.626 (15.7/15.9)	.800 (20.3)
10	.625 (15.8)	.740/.748 (18.8/19.0)	.925 (23.5)
12	.748 (19.0)	.867/.877 (22.0/22.3)	1.047 (26.6)
14	.874 (22.2)	.992/1.004 (25.2/25.5)	1.175 (29.8)
16	1.000 (25.4)	1.116/1.127 (28.3/28.6)	1.30 (33.02)
18	1.125 (28.6)	1.241/1.235 (31.5/31.8)	1.425 (36.2)
20	1.251 (31.8)	1.366/1.377 (34.7/35.0)	1.550 (39.4)
22	1.374 (34.9)	1.488/1.502 (37.8/38.1)	1.675 (42.5)
24	1.500 (38.1)	1.613/1.627 (40.9/41.3)	1.800 (45.7)



Raychem Adapters
CUSTOMER DRAWING

DOCUMENT NO:

STXR40

If this document is printed it becomes uncontrolled. Check for the latest revision

© 2013 Tyco Electronics Corporation. All rights reserved.

CAGE CODE: 06090	RPN:	SIZE: A	SCALE: 	THIRD ANGLE PROJ. 	SHEET: 3 OF 3
---------------------	------	------------	---	--	------------------