

Braided Adapters

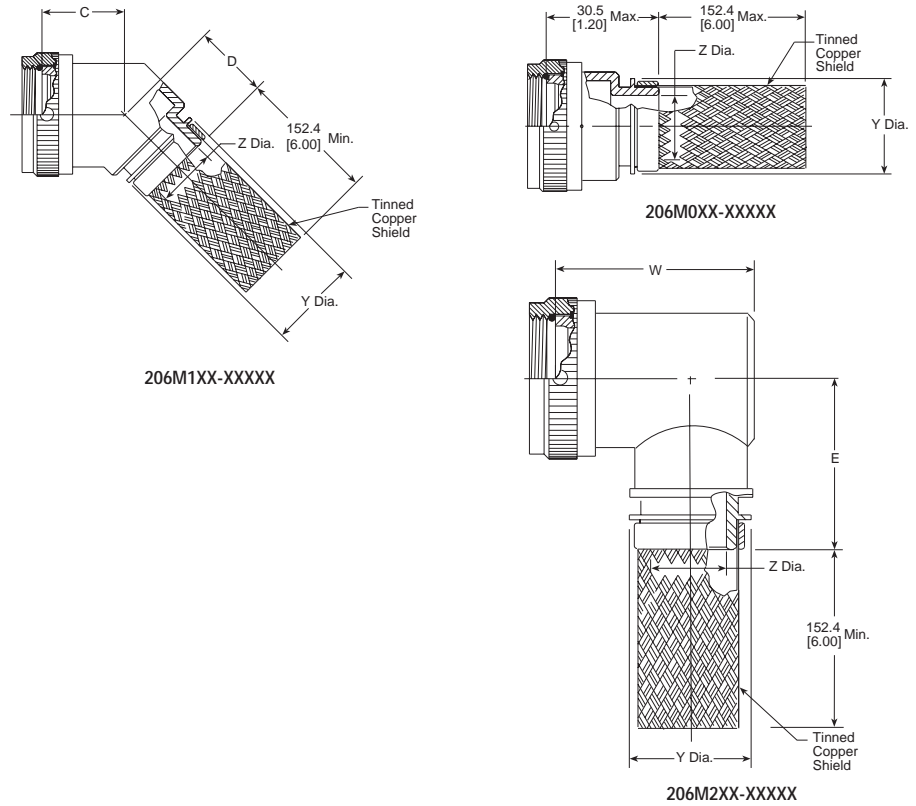


Table of Dimensions

| Order No. | Shell Size | Max. Entry Size, Type 1* | Thread | Dimensions | | |
|-----------|------------|--------------------------|---------------|-------------|-------------|-------------|
| | | | | C Max. | D Max. | E Max. |
| 08 | 8 | 04 | .438-28 UNEF | 21.6 [0.85] | 23.1 [0.91] | 29.0 [1.14] |
| 10 | 10 | 06 | .562-24 UNEF | 22.4 [0.88] | 23.9 [0.94] | 30.5 [1.20] |
| 12 | 12 | 08 | .688-24 UNEF | 23.1 [0.91] | 24.6 [0.97] | 32.3 [1.27] |
| 14 | 14 | 10 | .812-20 UNEF | 23.4 [0.92] | 24.9 [0.98] | 33.5 [1.32] |
| 16 | 16 | 12 | .938-20 UNEF | 24.1 [0.95] | 25.7 [1.01] | 34.8 [1.37] |
| 18 | 18 | 12 | 1.062-18 UNEF | 24.4 [0.96] | 25.9 [1.02] | 36.3 [1.43] |
| 20 | 20 | 14 | 1.188-18 UNEF | 25.1 [0.99] | 26.7 [1.05] | 38.1 [1.50] |
| 22 | 22 | 16 | 1.312-18 UNEF | 25.7 [1.01] | 27.4 [1.08] | 39.6 [1.56] |
| 24 | 24 | 18 | 1.438-18 UNEF | 26.2 [1.03] | 27.7 [1.09] | 40.9 [1.61] |

*For larger than maximum type 1 entry sizes, a two-piece adapter will be supplied. Contact Tyco Electronics for information.

Entry Size Dimensions

| Entry Size | Dimensions | | |
|------------|--------------|--------------|-------------|
| | Z +0.25-0.5 | Y Dia. | W Max. |
| 04 | 6.35 [0.25] | 13.97 [0.55] | 31.0 [1.22] |
| 05 | 7.92 [0.31] | 15.54 [0.61] | 32.8 [1.29] |
| 06 | 9.52 [0.37] | 17.14 [0.67] | 34.3 [1.35] |
| 07 | 11.09 [0.44] | 18.71 [0.74] | 35.8 [1.41] |
| 08 | 12.70 [0.50] | 20.32 [0.80] | 37.3 [1.47] |
| 10 | 15.87 [0.62] | 23.49 [0.92] | 40.6 [1.60] |
| 12 | 19.05 [0.75] | 26.67 [1.05] | 43.7 [1.72] |
| 14 | 22.23 [0.88] | 29.84 [1.17] | 47.0 [1.85] |
| 16 | 25.40 [1.00] | 33.02 [1.30] | 50.0 [1.97] |
| 18 | 28.57 [1.12] | 36.19 [1.42] | 53.3 [2.10] |

| Available in: | Americas | Europe | Asia Pacific |
|---------------|----------|--------|--------------|
| | ■ | ■ | ■ |

Solid Adapters

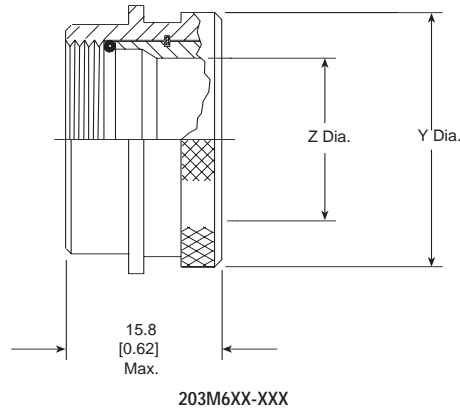


Table of Dimensions

| Order Number | Shell Size | Thread | Dimensions | |
|--------------|------------|---------------|-------------------------------------|--------------|
| | | | Y +0.000-0.030 (+0.00) (-0.76) Dia. | Z Min. |
| 08 | 8 | .438-28 UNEF | 17.88 [0.704] | 6.63 [0.26] |
| 10 | 10 | .562-24 UNEF | 21.06 [0.829] | 9.27 [0.36] |
| 12 | 12 | .688-24 UNEF | 24.23 [0.954] | 12.98 [0.51] |
| 14 | 14 | .812-20 UNEF | 27.41 [1.079] | 15.37 [0.61] |
| 16 | 16 | .938-20 UNEF | 31.85 [1.254] | 18.54 [0.73] |
| 18 | 18 | 1.062-18 UNEF | 33.03 [1.316] | 20.90 [0.82] |
| 20 | 20 | 1.188-18 UNEF | 36.63 [1.442] | 24.10 [0.95] |
| 22 | 22 | 1.312-18 UNEF | 39.78 [1.566] | 27.28 [1.07] |
| 24 | 24 | 1.438-18 UNEF | 42.98 [1.692] | 29.67 [1.17] |

Molded Part Selection Guide (Solid)

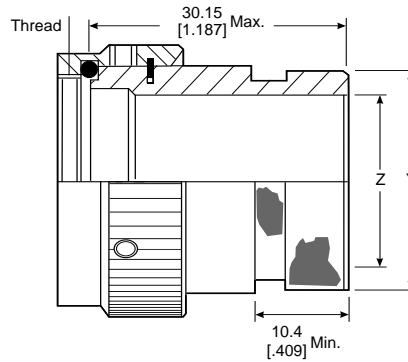
| Order No. | Standard K Parts | | | Low-Profile D Parts | | |
|------------|-------------------|--------------|-----------------|---------------------|--------------|-----------------|
| | Straight Part No. | 90° Part No. | Cable OD (Min.) | Straight Part No. | 90° Part No. | Cable OD (Min.) |
| 08 | 202K132 | 222K132 | 5.9 [0.23] | 202D221 | 222D221 | 7.4 [0.29] |
| 10 | 202K142 | 222K142 | 7.1 [0.28] | 202D232 | 222D232 | 8.4 [0.33] |
| 12, 14 | 202K153 | 222K152 | 8.4 [0.33] | 202D242 | 222D242 | 9.7 [0.38] |
| 16, 18 | 202K163 | 222K163 | 9.9 [0.39] | 202D253 | 222D253 | 10.5 [0.41] |
| 20, 22, 24 | 202K174 | 222K174 | 15.7 [0.62] | 202D263 | 222D263 | 12.2 [0.48] |

Uniboot Parts

| Order No. | Part No. | Cable OD (Min.) |
|--------------------|----------|-----------------|
| 08 | 202C621 | 8.1 [0.32] |
| 10 | 202C632 | 12.7 [0.50] |
| 12, 14 | 202C642 | 17.5 [0.69] |
| 16, 18, 20, 22, 24 | 202C653 | 22.4 [0.88] |

| Available in: | Americas | Europe | Asia Pacific |
|---------------|----------|--------|--------------|
| | ■ | ■ | ■ |

Spin-Coupling Adapters



203M9XX-XXX

Table of Dimensions

| Order No. | Shell Size | Thread | Dimensions | |
|-----------|------------|---------------|-------------------|--------------|
| | | | Y +0.00-0.76 Dia. | Z Min. |
| 08 | 8 | .438-28 UNEF | 13.54 [0.53] | 6.63 [0.26] |
| 10 | 10 | .562-24 UNEF | 15.37 [0.61] | 9.27 [0.36] |
| 12 | 12 | .688-24 UNEF | 19.66 [0.77] | 12.98 [0.51] |
| 14 | 14 | .812-20 UNEF | 21.29 [0.84] | 15.37 [0.61] |
| 16 | 16 | .938-20 UNEF | 24.46 [0.96] | 18.54 [0.73] |
| 18 | 18 | 1.062-18 UNEF | 26.47 [1.04] | 20.90 [0.82] |
| 20 | 20 | 1.188-18 UNEF | 30.91 [1.22] | 24.10 [0.95] |
| 22 | 22 | 1.312-18 UNEF | 34.42 [1.36] | 27.28 [1.07] |
| 24 | 24 | 1.438-18 UNEF | 36.65 [1.44] | 29.67 [1.17] |

Molded Part Selection Guide (Spin-Coupling)

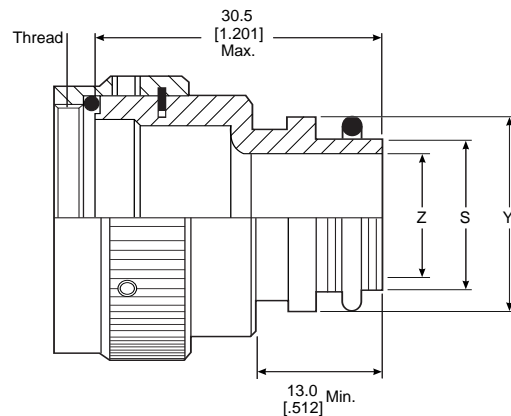
| Order No. | Standard K Parts | | | Low-profile D Parts | | |
|-----------|-------------------|--------------|-----------------|---------------------|--------------|-----------------|
| | Straight Part No. | 90° Part No. | Cable OD (Min.) | Straight Part No. | 90° Part No. | Cable OD (Min.) |
| 08 | 202W232 | — | 4.3 [0.19] | — | — | — |
| 08 | 202K121 | 222K121 | 5.6 [0.22] | 202D211 | 222D211 | 6.4 [0.25] |
| 10 | 202K132 | 222K132 | 5.9 [0.23] | 202D221 | 222D221 | 7.4 [0.29] |
| 12, 14 | 202K142 | 222K142 | 7.1 [0.28] | 202D232 | 222D232 | 8.4 [0.33] |
| 16, 18 | 202K153 | 222K152 | 8.4 [0.33] | 202D242 | 222D242 | 9.7 [0.38] |
| 20, 22 | 202K163 | 222K163 | 9.9 [0.39] | 202D253 | 222D253 | 10.5 [0.41] |
| 24 | 202K174 | 222K174 | 15.7 [0.62] | 202D263 | 222D263 | 12.2 [0.48] |

Uniboot Parts

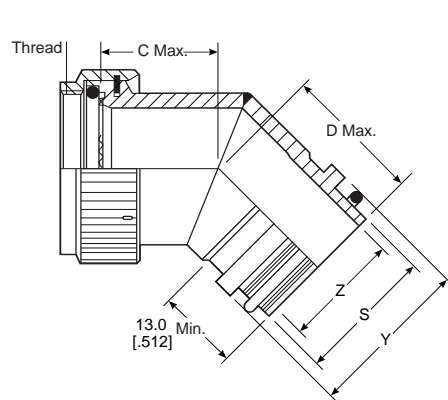
| Order No. | Part No. | Cable OD (Min.) |
|-----------|----------|-----------------|
| 08 | 202C611 | 4.8 [0.19] |
| 10, 12 | 202C621 | 8.1 [0.32] |
| 14, 16 | 202C632 | 12.7 [0.50] |
| 18, 20 | 202C642 | 17.5 [0.69] |
| 22, 24 | 202C653 | 22.4 [0.88] |

| Available in: | Americas | Europe | Asia Pacific |
|---------------|----------|--------|--------------|
| | ■ | ■ | ■ |

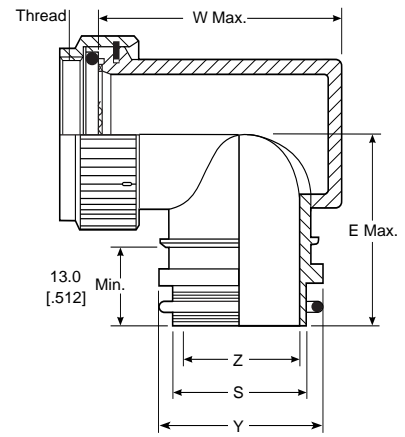
Tinel-Lock Adapters



TXR21XX00-XXXX XX



TXR21XX45-XXXXXX



TXR21XX90-XXXXXX

| Available in: | Americas | Europe | Asia Pacific |
|---------------|----------|--------|--------------|
| | ■ | ■ | ■ |

Tinel-Lock Adapters

(continued)

Table of Dimensions

| Order No. | Shell Size | Max. Entry Size, Type 1* | Thread | Dimensions | | |
|-----------|------------|--------------------------|---------------|-------------|-------------|-------------|
| | | | | C Max. | D Max. | E Max. |
| 08 | 8 | 04 | .438-28 UNEF | 21.6 [0.85] | 23.1 [0.91] | 29.0 [1.14] |
| 10 | 10 | 06 | .562-24 UNEF | 22.4 [0.88] | 23.9 [0.94] | 30.5 [1.20] |
| 12 | 12 | 08 | .688-24 UNEF | 23.1 [0.91] | 24.6 [0.97] | 32.3 [1.27] |
| 14 | 14 | 10 | .812-20 UNEF | 23.4 [0.92] | 24.9 [0.98] | 33.5 [1.32] |
| 16 | 16 | 12 | .938-20 UNEF | 24.1 [0.95] | 25.7 [1.01] | 34.8 [1.37] |
| 18 | 18 | 12 | 1.062-18 UNEF | 24.4 [0.96] | 25.9 [1.02] | 36.3 [1.43] |
| 20 | 20 | 14 | 1.188-18 UNEF | 25.1 [0.99] | 26.7 [1.05] | 38.1 [1.50] |
| 22 | 22 | 16 | 1.312-18 UNEF | 25.7 [1.01] | 27.4 [1.08] | 39.6 [1.56] |
| 24 | 24 | 18 | 1.438-18 UNEF | 26.2 [1.03] | 27.7 [1.09] | 40.9 [1.61] |

*For larger than maximum type 1 entry sizes, a two-piece adapter will be supplied. Contact Tyco Electronics for information.

Entry Size Dimensions

| Entry Size | Dimensions | | | |
|------------|--------------|-------------------------|--------------|-------------|
| | Z +0.25-0.5 | S Diameter (Min.-Max.) | Y Dia. | W Max. |
| 04 | 6.35 [0.25] | 9.39-9.56 [0.37-0.38] | 13.97 [0.55] | 31.0 [1.22] |
| 05 | 7.92 [0.31] | 10.97-11.13 [0.43-0.44] | 15.54 [0.61] | 32.8 [1.29] |
| 06 | 9.52 [0.37] | 12.57-12.73 [0.49-0.50] | 17.14 [0.67] | 34.3 [1.35] |
| 07 | 11.09 [0.44] | 14.12-14.31 [0.55-0.56] | 18.71 [0.74] | 35.8 [1.41] |
| 08 | 12.7 [0.50] | 15.72-15.91 [0.62-0.63] | 20.32 [0.80] | 37.3 [1.47] |
| 10 | 15.87 [0.62] | 18.84-19.11 [0.74-0.75] | 23.49 [0.92] | 40.6 [1.60] |
| 12 | 19.05 [0.75] | 22.02-22.28 [0.87-0.88] | 26.67 [1.05] | 43.7 [1.72] |
| 14 | 22.23 [0.88] | 25.17-25.46 [0.99-1.00] | 29.84 [1.17] | 47.0 [1.85] |
| 16 | 25.4 [1.00] | 28.34-28.63 [1.12-1.13] | 33.02 [1.30] | 50.0 [1.97] |
| 18 | 28.57 [1.12] | 31.52-31.81 [1.24-1.25] | 36.19 [1.42] | 53.3 [2.10] |

Molded Part Selection Guide (Tinel)

| Tinel-Lock Entry Size | Standard K Parts | | | Low-profile D Parts | | |
|-----------------------|-------------------|--------------|-----------------|---------------------|--------------|-----------------|
| | Straight Part No. | 90° Part No. | Cable OD (Min.) | Straight Part No. | 90° Part No. | Cable OD (Min.) |
| 04 | 202K232 | — | 3.3 [0.1] | — | — | — |
| 04 | 202W232 | — | 4.3 [0.2] | — | — | — |
| 04 | 202K121 | 222K121 | 5.6 [0.2] | 202D211 | 222D211 | 6.4 [0.3] |
| 05, 06 | 202K132 | 222K132 | 5.9 [0.2] | 202D221 | 222D221 | 7.4 [0.3] |
| 07, 08 | 202K142 | 222K142 | 7.1 [0.3] | 202D232 | 222D232 | 8.4 [0.3] |
| 10, 12 | 202K153 | 222K152 | 8.4 [0.3] | 202D242 | 222D242 | 9.7 [0.4] |
| 14, 16 | 202K163 | 222K163 | 9.9 [0.4] | 202D253 | 222D253 | 10.5 [0.4] |
| 18, 20, 22 | 202K174 | 222K174 | 15.7 [0.6] | 202D263 | 222D263 | 12.2 [0.5] |
| 24 | 202K185 | 222K185 | 16.8 [0.7] | — | — | — |

Uniboot Parts

| Tinel-Lock Entry Size | Part No. | Cable OD (Min.) |
|-----------------------|----------|-----------------|
| 04 | 202C611 | 4.8 [0.19] |
| 05, 06, 07 | 202C621 | 8.1 [0.32] |
| 08, 10, 12 | 202C632 | 12.7 [0.50] |
| 12, 14, 16 | 202C642 | 17.5 [0.69] |
| 16, 18, 20, 22 | 202C653 | 22.4 [0.88] |
| 24 | 202C663 | 22.9 [0.90] |

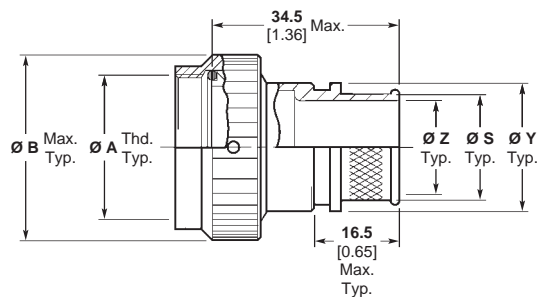
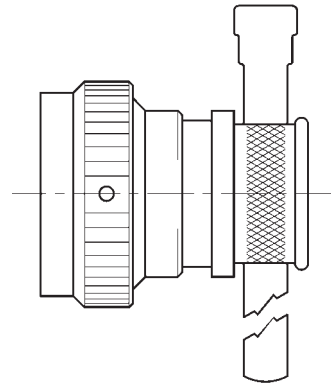
CRES-Lock Adapters (USA)
BND Adapters (Europe)

Code 21 Band Strap
Adapter

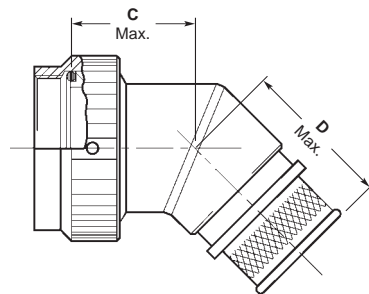
Notes:

1. This product is designed to terminate a braided cable shield by means of a band strap and a heat shrinkable lipped boot to a connector.
2. See CH00-0250-016 for ordering information, modifications and additional dimensions.
3. See drawing BND-XX25S for band strap dimensions and information.
4. Adapter to be permanently marked with code identification number and full part number (e.g. 06090-BND21AB00-1812). Band strap shall bear no part marking.
5. All entry sizes are shown in Table II. Maximum entry sizes are as shown in Table I. For larger entry sizes than the maximum, a Type II adapter may be supplied. See CH00-0250-016 for further details.
6. Adapter mates to: MIL-C-26482 Series I, MS3110, MS3116, MS3120 and MS3126 Class E and F Connectors.
7. Anti-rotational set screw, 3 threaded holes 120° ± 5° apart, single mating set screw supplied: AN565DC4H2. Not required for Type II adapters.

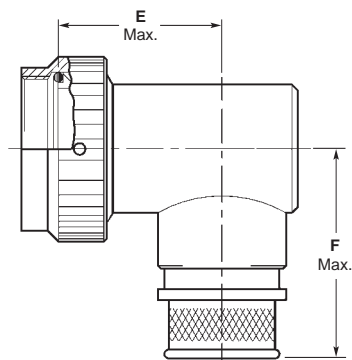
For additional codes available, contact Tyco Electronics.



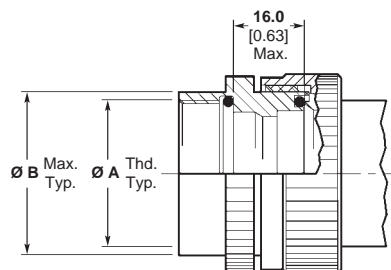
Straight Adapter
Code 00



45° Adapter
Code 45



90° Adapter
Code 90



Type II Modification
(See Note 5)

| Available in: | Americas | Europe | Asia Pacific |
|---------------|----------|--------|--------------|
| | ■ | ■ | ■ |

**CRES-Lock Adapters (USA)
BND Adapters (Europe)**
(continued)

**Code 21 Band Strap
Adapter** (Continued)

Code 21 MIL-C-26482 Series 1 (Continued)

Table I

| Order Number | Shell Size ² | Entry Size Max. Type I ¹ | Ø A Unified Thread UNEF Class 2B | Ø B Max. | C Max. | D Max. | F Max. |
|--------------|-------------------------|-------------------------------------|----------------------------------|--------------|--------------|--------------|--------------|
| 08 | 08 | 04 | 0.4375–28 | 18.3 0.72 | 21.6 0.85 | 27.2 1.07 | 33.0 1.30 |
| 10 | 10 | 06 | 0.5625–24 | 21.6 0.85 | 22.4 0.88 | 27.9 1.10 | 34.5 1.36 |
| 12 | 12 | 08 | 0.6875–24 | 24.9 0.98 | 23.1 0.91 | 28.7 1.13 | 36.3 1.43 |
| 14 | 14 | 10 | 0.8125–20 | 28.2 1.11 | 23.4 0.92 | 29.0 1.14 | 37.6 1.48 |
| 16 | 16 | 12 | 0.9375–20 | 31.2 1.23 | 24.1 0.95 | 29.7 1.17 | 38.9 1.53 |
| 18 | 18 | 13 | 1.0625–18 | 34.5 1.36 | 24.4 0.96 | 30.0 1.18 | 40.4 1.59 |
| 20 | 20 | 15 | 1.1875–18 | 37.6 1.48 | 25.1 0.99 | 30.7 1.21 | 42.2 1.66 |
| 22 | 22 | 16 | 1.3125–18 | 40.6 1.60 | 25.7 1.01 | 31.5 1.24 | 43.7 1.72 |
| 24 | 24 | 18 | 1.4375–18 | 43.2 1.70 | 26.2 1.03 | 31.8 1.25 | 45.0 1.77 |

1. All entry sizes are shown in Table II. Maximum entry sizes are as shown in Table I. For larger entry sizes than the maximum, a Type II adapter may be supplied. See CH00-0250-016 for further details.
2. Adapter mates to: MIL-C-26482 Series I, MS3110, MS3116, MS3120 and MS3126 Class E and F Connectors.

Table II

| Entry Size | Ø Z +0.25/-0.50 [+0.010/-0.020] | Ø S ±0.51 [±0.020] | Ø Y ±0.38 [±0.015] | E Max. |
|------------|---------------------------------------|--------------------------|--------------------------|--------------|
| 03 | 4.75 0.188 | 7.92 0.312 | 11.10 0.438 | 19.0 0.75 |
| 04 | 6.35 0.250 | 9.52 0.375 | 12.70 0.500 | 19.8 0.78 |
| 05 | 7.92 0.312 | 11.12 0.438 | 14.30 0.563 | 20.1 0.79 |
| 06 | 9.52 0.375 | 12.70 0.500 | 15.88 0.625 | 21.1 0.83 |
| 07 | 11.12 0.438 | 14.30 0.562 | 17.50 0.689 | 21.6 0.85 |
| 08 | 12.70 0.500 | 15.88 0.625 | 19.05 0.750 | 22.6 0.89 |
| 09 | 14.30 0.562 | 17.50 0.688 | 20.65 0.813 | 23.6 0.93 |
| 10 | 15.88 0.625 | 19.05 0.750 | 22.23 0.875 | 24.4 0.96 |
| 11 | 17.50 0.688 | 20.65 0.812 | 23.80 0.938 | 24.9 0.98 |
| 12 | 19.05 0.750 | 22.23 0.875 | 25.40 1.000 | 25.9 1.02 |
| 13 | 20.65 0.812 | 23.83 0.938 | 27.00 1.063 | 26.7 1.05 |
| 14 | 22.23 0.875 | 25.40 1.000 | 30.16 1.189 | 27.4 1.08 |

Table II (Continued)

| Entry Size | Ø Z +0.25/-0.50 [+0.010/-0.020] | Ø S ±0.51 [±0.020] | Ø Y ±0.38 [±0.015] | E Max. |
|------------|---------------------------------------|--------------------------|--------------------------|--------------|
| 15 | 23.83 .0938 | 27.00 1.062 | 31.75 1.250 | 28.2 1.11 |
| 16 | 25.40 1.000 | 28.58 1.125 | 33.34 1.313 | 29.0 1.14 |
| 18 | 28.58 1.125 | 31.75 1.250 | 36.51 1.438 | 30.5 1.20 |
| 20 | 31.75 1.250 | 34.90 1.375 | 39.69 1.563 | N/A |
| 22 | 34.90 1.375 | 38.10 1.500 | 42.86 1.688 | N/A |
| 24 | 38.10 1.500 | 41.28 1.625 | 46.83 1.844 | N/A |
| 26 | 41.28 1.625 | 44.45 1.750 | 49.61 1.953 | N/A |
| 28 | 44.45 1.750 | 47.63 1.875 | 52.78 2.078 | N/A |
| 30 | 47.65 1.875 | 50.80 2.000 | 56.36 2.219 | N/A |
| 32 | 50.80 2.000 | 54.00 2.125 | 59.53 2.344 | N/A |
| 34 | 54.00 2.125 | 57.15 2.250 | 62.71 2.469 | N/A |