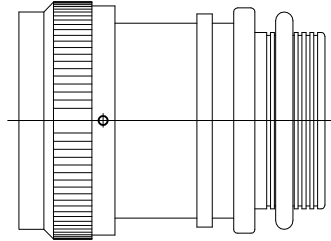


| REVISIONS | | | |
|-----------|---------------------------|---------|----------|
| LTR | DESCRIPTION | DATE | APPROVED |
| H1 | REVISED PER ECO-11-005139 | 29MAR11 | HMR |

IF THIS DOCUMENT IS PRINTED IT BECOMES UNCONTROLLED.
CHECK FOR THE LATEST REVISION.



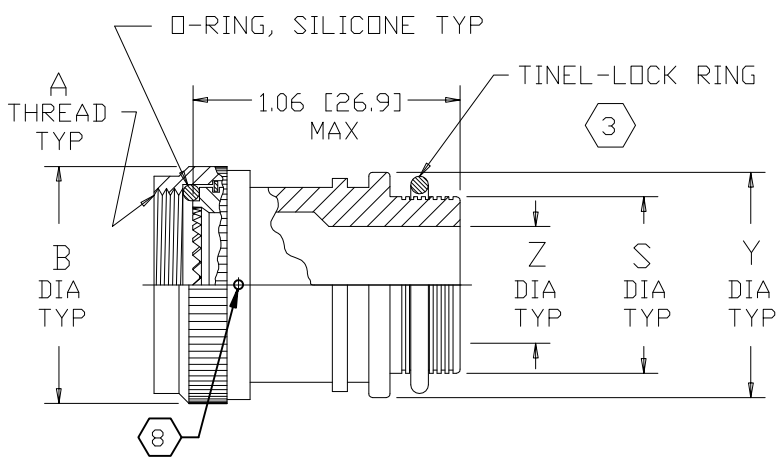
CODE 40 TINEL-LOCK ADAPTER

NOTES:

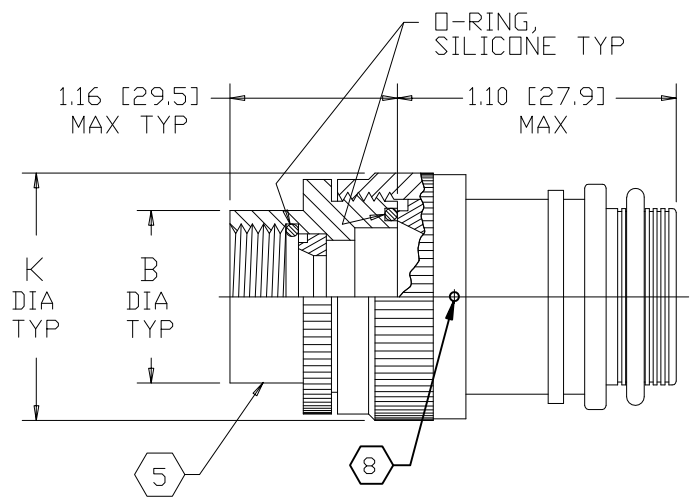
- THIS PRODUCT IS DESIGNED TO TERMINATE A BRAIDED CABLE SHIELD AND A HEAT SHRINKABLE LIPPED BOOT TO A CONNECTOR.
- SEE CH00-0250-008 FOR ORDERING INFORMATION, MODIFICATIONS AND ADDITIONAL DIMENSIONS.
- SEE DRAWING "TR" FOR DETAILS ON TINEL-LOCK RING. RINGS ARE DESIGNED TO BE HEATED ELECTRICALLY. ALL RINGS ARE MARKED WITH THERMOCHROMIC PAINT WHICH CHANGES COLOR WHEN INSTALLATION TEMPERATURE IS REACHED.
- ADAPTER TO BE PERMANENTLY MARKED WITH CODE IDENT. NO. AND PART NO. LESS RING DESIGNATOR (E.G.: 06090-TXR40AB00-1206). RINGS SHALL BEAR NO MARKING.
- FOR LARGER ENTRY SIZES, A 2 PIECE ADAPTER (TYPE II) IS SUPPLIED.
- ADAPTER MATES TO MIL-C-38999, SERIES III AND IV, CLASS C, F, K, AND W, D38999/20, /24, /26, /40, /46, /47 CONNECTORS, AND WHEN SO MATED SHALL PROVIDE A WATER-TIGHT SEAL MEETING THE REQUIREMENTS OF MIL-C-85049, PAR. 3.5.7.
- THESE DIMENSIONS APPLY IF A SELF-LOCKING COUPLING NUT IS USED. (MOD. CODE "S").
- COUPLING NUT SHALL HAVE 3 LOCK WIRE HOLES, 120° APART.

SPECIFICATION CONTROL DRAWING

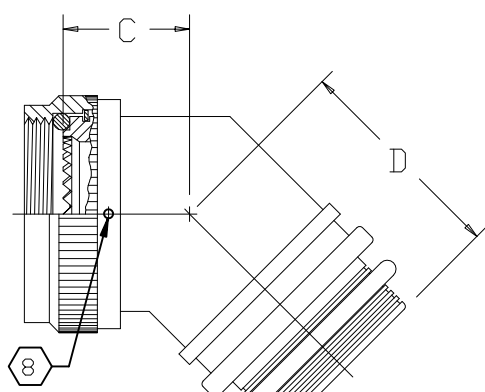
| | | | | | | |
|---|-----------------------|------------------|------------------------------|---|-----------|--|
| UNLESS OTHERWISE SPECIFIED DIMENSIONS ARE IN INCHES. METRIC DIMENSIONS ARE IN BRACKETS. DECIMALS .XXX ± — [mm] .XX ± — [mm] .X ± — [mm] ANGLES .X ± — | DRAWN R. RAMIREZ | DATE 03-18-93 | | TE Connectivity 300 Constitution Drive Menlo Park, CA. 94025 U.S.A. | | |
| | CHECKED | DATE | | | | |
| | APPROVED W. C. GAY | DATE 05-19-93 | TITLE TINEL-LOCK™ ADAPTER | | | |
| | APPROVED | DATE | | | | |
| CAD NAME \ACAD12\TXR40 | | | | | | |
| THIRD ANGLE PROJECTION | | SIZE A | CODE IDENT. NO. 06090 | DWG. NO. TXR40 | REV H1 | |
| DO NOT SCALE THIS DWG | | | | SHEET 1 OF 3 | | |



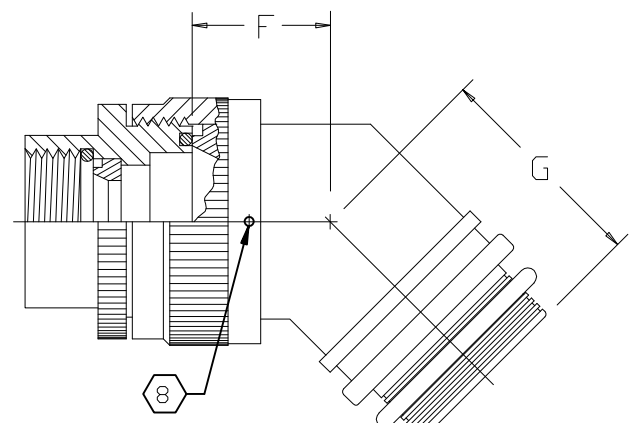
STRAIGHT ADAPTER-TYPE I



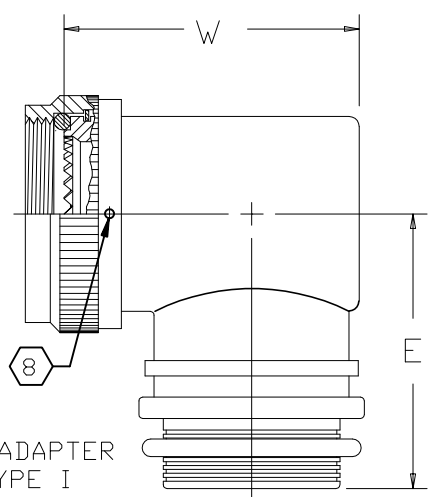
STRAIGHT ADAPTER-TYPE II



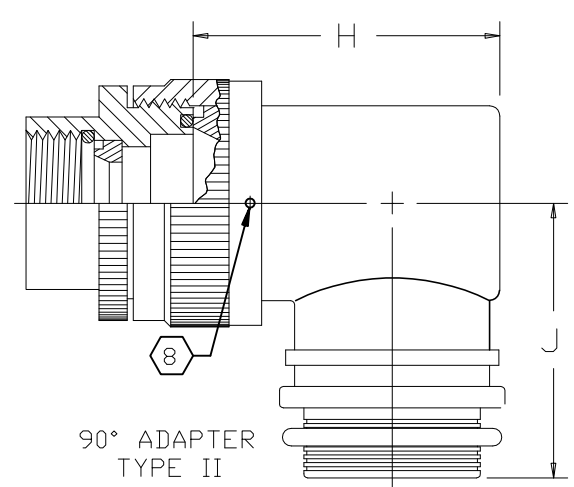
45° ADAPTER-TYPE I



45° ADAPTER-TYPE II






90° ADAPTER TYPE I



90° ADAPTER TYPE II

IF THIS DOCUMENT IS PRINTED IT BECOMES UNCONTROLLED. CHECK FOR THE LATEST REVISION.

| | | | |
|-----------------------|--------------------------|--------------------------|--------------|
| SIZE A | CODE IDENT. NO. 06090 | DWG. NO. TXR40 | REV H1 |
| DO NOT SCALE THIS DWG | | CAD NAME \ACAD12\TXR40-2 | SHEET 2 OF 3 |

| TABLE I | | | | | | | | | |
|-----------|--|-----|---|-----------------------|-----------------|--|----------------|----------------|----------------|
| ORDER NO. | SHELL SIZE  | | MAX ENTRY SIZE  TYPE I | A METRIC THD CLASS 6H | B DIA MAX | B DIA MAX  | C MAX | D MAX | E MAX |
| | COM'L | MIL | | | | | | | |
| 08 | 9 | A | 04 | M12 X 1.0 | .750 [19.1] | .969 [24.6] | .82 [20.8] | .89 [22.6] | 1.10 [27.9] |
| 10 | 11 | B | 07 | M15 X 1.0 | .850 [21.6] | 1.063 [27.0] | .84 [21.3] | .92 [23.4] | 1.20 [30.5] |
| 12 | 13 | C | 08 | M18 X 1.0 | 1.000 [25.4] | 1.219 [31.0] | .87 [22.1] | .95 [24.1] | 1.26 [32.0] |
| 14 | 15 | D | 10 | M22 X 1.0 | 1.150 [29.2] | 1.406 [35.7] | .89 [22.6] | .95 [24.1] | 1.34 [34.0] |
| 16 | 17 | E | 12 | M25 X 1.0 | 1.250 [31.8] | 1.469 [37.3] | .92 [23.4] | .98 [24.9] | 1.40 [35.6] |
| 18 | 19 | F | 14 | M28 X 1.0 | 1.400 [35.6] | 1.594 [40.5] | .95 [24.1] | 1.01 [25.7] | 1.45 [36.8] |
| 20 | 21 | G | 16 | M31 X 1.0 | 1.500 [38.1] | 1.750 [44.5] | .97 [24.6] | 1.04 [26.4] | 1.51 [38.4] |
| 22 | 23 | H | 18 | M34 X 1.0 | 1.650 [41.9] | 1.844 [46.8] | 1.00 [25.4] | 1.07 [27.2] | 1.57 [39.9] |
| 24 | 25 | J | 20 | M37 X 1.0 | 1.750 [44.5] | 2.031 [51.6] | 1.02 [25.9] | 1.07 [27.2] | 1.67 [42.4] |

| TABLE II | | | | | | | | | |
|------------|---------------------|--------------------------------|-----------------------|----------------|----------------|----------------|----------------|----------------|----------------|
| ENTRY SIZE | Z +.010 -.020 | S DIA | Y ±.015 [±0.38] | W MAX | F MAX | G MAX | H MAX | J MAX | K MAX |
| 04 | .250 [6.35] | .376 [9.56] .370 [9.39] | .550 [13.97] | 1.23 [31.2] | N/A | N/A | N/A | N/A | N/A |
| 05 | .312 [7.92] | .438 [11.13] .432 [10.97] | .612 [15.54] | 1.29 [32.8] | .77 [19.6] | .93 [23.6] | 1.19 [30.2] | 1.16 [29.5] | .80 [20.3] |
| 06 | .375 [9.52] | .501 [12.73] .495 [12.57] | .675 [17.14] | 1.35 [34.3] | .77 [19.6] | .93 [23.6] | 1.19 [30.2] | 1.16 [29.5] | .80 [20.3] |
| 07 | .437 [11.09] | .563 [14.31] .556 [14.12] | .737 [18.71] | 1.42 [36.1] | .80 [20.3] | .95 [24.1] | 1.38 [35.1] | 1.22 [31.0] | .92 [23.4] |
| 08 | .500 [12.70] | .626 [15.91] .619 [15.72] | .800 [20.32] | 1.48 [37.6] | .80 [20.3] | .95 [24.1] | 1.38 [35.1] | 1.22 [31.0] | .92 [23.4] |
| 10 | .625 [15.87] | .752 [19.11] .742 [18.84] | .925 [23.49] | 1.60 [40.6] | .84 [21.3] | 1.00 [25.4] | 1.51 [38.4] | 1.35 [34.3] | 1.18 [30.0] |
| 12 | .750 [19.05] | .877 [22.28] .867 [22.02] | 1.050 [26.67] | 1.73 [43.9] | .86 [21.8] | 1.01 [25.7] | 1.63 [41.4] | 1.40 [35.6] | 1.35 [34.3] |
| 14 | .875 [22.23] | 1.002 [25.46] .991 [25.17] | 1.175 [29.84] | 1.85 [47.0] | .88 [22.4] | 1.04 [26.4] | 1.78 [45.2] | 1.46 [37.1] | 1.41 [35.8] |
| 16 | 1.000 [25.40] | 1.127 [28.63] 1.116 [28.34] | 1.300 [33.02] | 2.00 [50.8] | .91 [23.1] | 1.06 [26.9] | 1.88 [47.8] | 1.53 [38.9] | 1.60 [40.6] |
| 18 | 1.125 [28.57] | 1.252 [31.81] 1.241 [31.52] | 1.425 [36.19] | 2.13 [54.1] | .93 [23.6] | 1.09 [27.7] | 2.01 [51.1] | 1.59 [40.4] | 1.66 [42.2] |
| 20 | 1.250 [31.75] | 1.377 [34.98] 1.366 [34.69] | 1.550 [39.37] | 2.25 [57.2] | .98 [24.9] | 1.13 [28.7] | 2.13 [54.1] | 1.78 [45.2] | 2.04 [51.8] |
| 22 | 1.375 [34.93] | 1.502 [38.15] 1.488 [37.79] | 1.675 [42.55] | N/A | 1.03 [26.2] | 1.38 [35.1] | 2.29 [58.2] | 1.85 [47.0] | 2.23 [56.6] |
| 24 | 1.500 [38.10] | 1.627 [41.33] 1.613 [40.97] | 1.800 [45.72] | N/A | 1.08 [27.4] | 1.44 [36.6] | 2.42 [61.5] | 1.92 [48.8] | 2.23 [56.6] |

IF THIS DOCUMENT IS PRINTED IT BECOMES UNCONTROLLED.
CHECK FOR THE LATEST REVISION.

| | | | |
|-----------------------|--------------------------|----------------------------|--------------|
| SIZE A | CODE IDENT. NO. 06090 | DWG. NO. TXR40 | REV H1 |
| DO NOT SCALE THIS DWG | | CAD NAME \\ACAD\TXR40-3 | SHEET 3 OF 3 |