

REVISIONS			
LTR	DESCRIPTION	DATE	APPROVED
W1	REVISED PER ECO-11-005139	22MAR11	HMR

THIS SPECIFICATION COVERS INFORMATION COMMON TO ALL TINEL-LOCK ADAPTERS

**TXR 54 A B 00 - 12 06 AI**

PRODUCT DESIGNATOR: \_\_\_\_\_  
 TXR: ADAPTER AND RING  
 TX: ADAPTER ONLY

CONNECTOR CODE: \_\_\_\_\_

① MATERIAL: \_\_\_\_\_  
 A: ALUMINUM ALLOY PER QQ-A-225  
 B: NICKEL ALUMINUM BRONZE PER ASTM B150  
 S: STAINLESS STEEL PER QQ-S-763

FINISH: (SEE S-CH00-0157-002) \_\_\_\_\_

CONFIGURATION: \_\_\_\_\_  
 00 = STRAIGHT, 45 = 45°, 90 = 90°  
 4W = 45°, 9W = 90° (SEE SHTS. 10 AND 11 FOR DETAILS)

FOR TXR 18, DASH MAY BE REPLACED BY \_\_\_\_\_  
 A LETTER (SEE TABLE III OF SCD)

ORDER NUMBER: (SEE SCD) \_\_\_\_\_

ENTRY SIZE: (SEE SCD) \_\_\_\_\_

RING OR BRAID DESIGNATOR: (SEE DWG "TR") \_\_\_\_\_

NOTES:

- ① ALTERNATIVE EQUIVALENT MATERIAL SPECIFICATIONS TO THOSE SHOWN MAY BE SUPPLIED AT **TE CONNECTIVITY** DISCRETION.
- 2. REFER TO SHEET 2 FOR MODIFICATION OPTION FIELD.
- 3. FOR ALIGNMENT REQUIREMENTS OF ANGLED BACKSHELLS, REFER TO SHEET 9.

If this document is printed it becomes uncontrolled. Check for the latest revision.

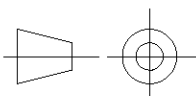
TINEL-LOCK™ is a trademark of TE Connectivity


**SPECIFICATION CONTROL DRAWING**

UNLESS OTHERWISE SPECIFIED DIMENSIONS ARE IN INCHES. METRIC DIMENSIONS ARE IN BRACKETS.

DECIMAL TOLERANCES  
 .XXX ± 0.005 [ 0.13 mm]  
 .XX ± 0.01 [ 0.25 mm]  
 .X ± 0.1 [ 0.50 mm]

ANGLE TOLERANCE  
 .X ± 1 DEG.

DRAWN R. RAMIREZ	DATE 08/12/03
CHECKED	DATE
REVISED MFORONDA	DATE 7/12/06
APPROVED W. C. GAY	DATE 08/12/03
CAD NAME R060376A.dwg	
THIRD ANGLE PROJECTION 	

	TE Connectivity 300 Constitution Drive Menlo Park, CA, USA 94025	
TITLE GENERAL INFORMATION PACKAGE FOR TINEL-LOCK ADAPTERS		
SIZE A	CODE IDENT. NO. 06090	DWG. NO. CH00-0250-008
DO NOT SCALE THIS DWG		SHEET 1 OF 11

# TINEL-LOCK ADAPTER MODIFICATION OPTION FIELD

TXR54MAB00-1206AI2-12 D J L T S H F N

MAULFLEX CABLE MODIFICATION \_\_\_\_\_  
 (SEE SHEET 3) OMIT IF NOT REQUIRED

ASSEMBLED ADAPTER, RING AND BRAID (SEE SHEET 4) \_\_\_\_\_

BRAID LENGTH (SEE SHEET 4) \_\_\_\_\_

D: DRAIN HOLES MODIFICATION (SEE SHEET 7) \_\_\_\_\_

J: CHAIN ATTACHMENT ASSEMBLY (SEE SHEET 7) \_\_\_\_\_

L: LOCK WIRE HOLES MANUFACTURER'S OPTION  
 INCLUDE MOD IF REQUIRED (SEE SHEET 8)  
 STANDARD ON CODES 40 AND 54

T: SOLID ADAPTER MODIFICATION (SEE SHEET 8) \_\_\_\_\_

S: SELF-LOCKING SPIN NUT \_\_\_\_\_  
 AVAILABLE ON CODES 30, 40, 41, 54 AND 61  
 TYPE I ADAPTERS ONLY

H: HELICAL CONDUIT THREAD (SEE SHEETS 5 AND 6] \_\_\_\_\_

F: INTERNAL ABRASION RESISTANT COATING \_\_\_\_\_

OPTIONAL O-RING MATERIAL: \_\_\_\_\_  
 OMIT FOR STANDARD SILICONE (ZZ-R-765, GRADE 70: S59)  
 C: NEOPRENE PER AMS3209  
 U: FLUOROSILICONE PER MIL-R-25988, CLASS 1  
 N: NITRILE (BUNA N) PER AMS3215  
 V: FLUOROCARBON PER MIL-R-83248, CLASS 1  
 Y: NO O-RING SUPPLIED

## PNT TINEL-LOCK ADAPTER ORDERING INFORMATION

PNT 54 AB00-1208AI

PRODUCT DESIGNATOR: \_\_\_\_\_  
 PNT: ADAPTER AND RING  
 PNx: ADAPTER ONLY

CONNECTOR CODE: \_\_\_\_\_

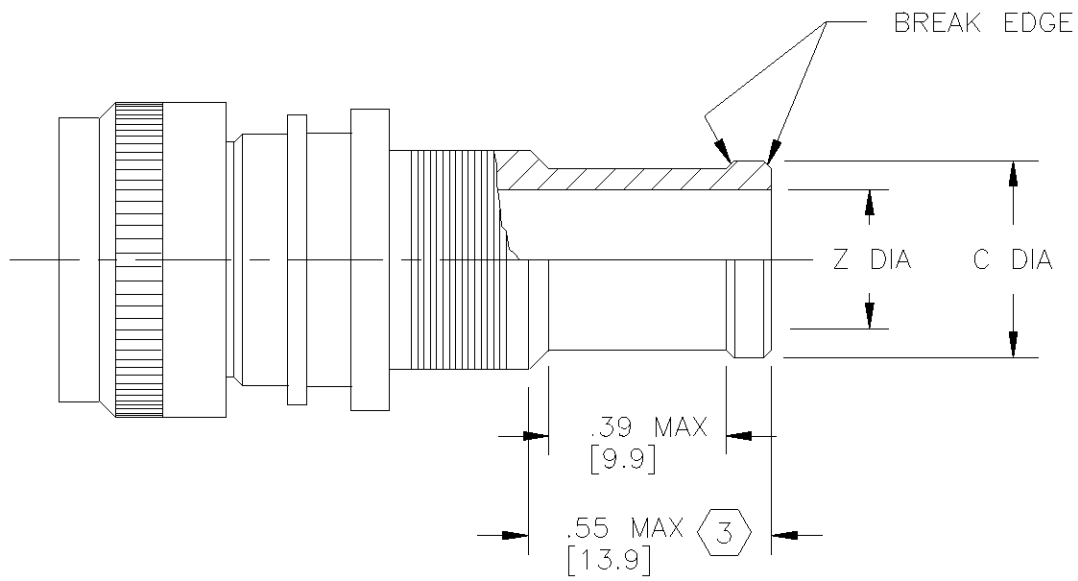
REMAINDER OF CODES AS PER SHEET 1 \_\_\_\_\_

If this document is printed it becomes uncontrolled. Check for the latest revision

### SPECIFICATION CONTROL DRAWING

SIZE A	CODE IDENT. NO. 06090	DWG. NO. CH00-0250-008	REV W1
DO NOT SCALE THIS DWG		CAD NAME R060376B	SHEET 2 OF 11

FIGURE 1: MAULFLEX CABLE MODIFICATION ("M" MOD) 1



ENTRY SIZE <span style="border: 1px solid black; border-radius: 50%; padding: 2px;">2</span>	Z +.010 [0.25] -.020 [0.51]	C MAX	MAULFLEX	
			SIZE NO.	CONVOLEX SIZE
04	.125 [3.18]	.27 [6.86]	1	3/8"
06	.250 [6.35]	.40 [10.2]	2	7/16"
08	.375 [9.53]	.52 [13.2]	3	1/2"
10	.500 [12.70]	.65 [16.5]	4	5/8"
12	.625 [15.88]	.77 [19.6]	5,6	3/4", 7/8"
14	.750 [19.05]	.90 [22.9]	6	7/8"
16	.875 [22.23]	1.02 [25.9]	6,7,8	7/8", 1", 1-1/4"
18	1.000 [25.40]	1.15 [29.2]	8	1-1/4"
20	1.125 [28.58]	1.27 [32.3]	8	1-1/4"
22	1.250 [31.75]	1.40 [35.6]	9	1-5/8"
24	1.375 [34.93]	1.52 [38.6]	9	1-5/8"

NOTES:

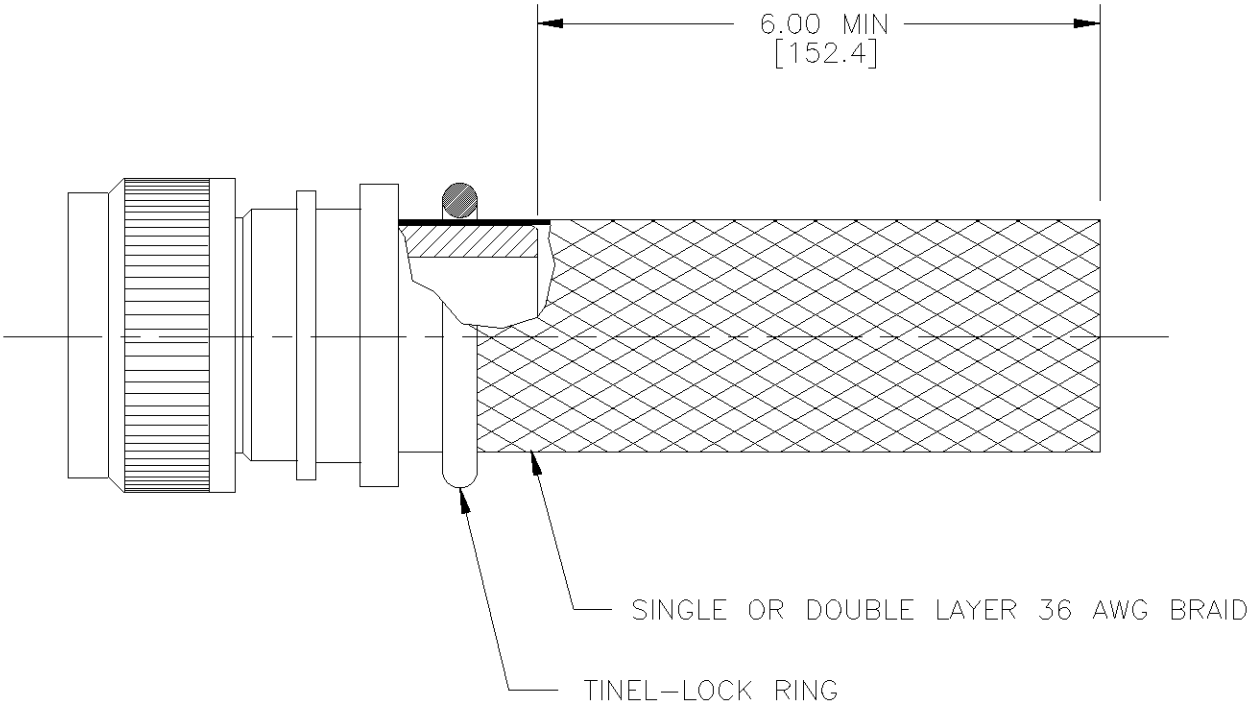
- 1 ALSO AVAILABLE IN 45° AND 90° CONFIGURATIONS.
- 2 "Z" REPRESENTS 1/8 INCH SMALLER ENTRY WHEN THIS OPTION IS USED.
- 3 THIS LENGTH IS IN ADDITION TO LENGTH DIMENSIONS OF STANDARD PART SHOWN ON SCD.

If this document is printed it becomes uncontrolled. Check for the latest revision

**SPECIFICATION CONTROL DRAWING**

SIZE A	CODE IDENT. NO. 06090	DWG. NO. CH00-0250-008	REV W1
DO NOT SCALE THIS DWG		CAD NAME R060376C	SHEET 3 OF 11

FIGURE 2: ASSEMBLED ADAPTER



TXR54AB00-1408AI 2-12

RING IDENTIFIER (REFER TO DRAWING "TR")

BRAID TYPE:  
 2: TINNED COPPER  
 3: NICKEL COPPER

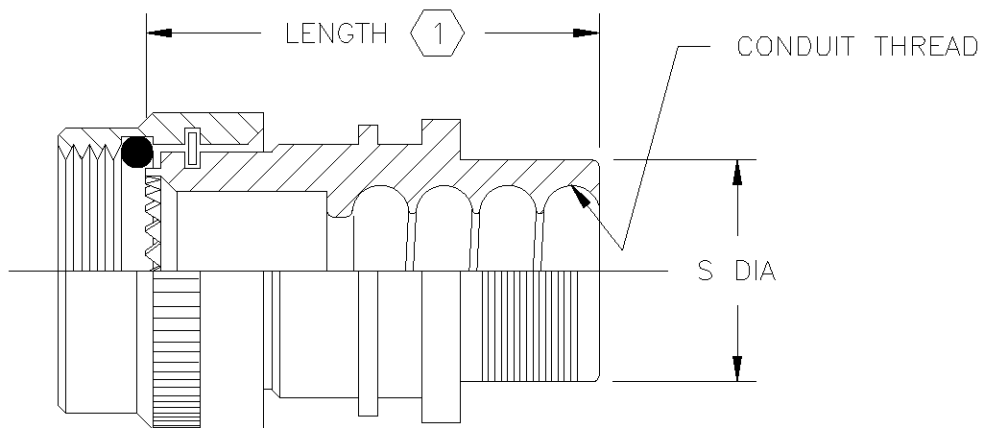
BRAID LENGTH:  
 AVAILABLE IN 6", 12", 18"  
 (OMIT FOR STANDARD 6" LENGTH)

If this document is printed it becomes uncontrolled. Check for the latest revision

SPECIFICATION CONTROL DRAWING

SIZE A	CODE IDENT. NO. 06090	DWG. NO. CH00-0250-008	REV W1
DO NOT SCALE THIS DWG		CAD NAME R060376D	SHEET 4 OF 11

FIGURE 3A: CONDUIT MODIFICATION ("H" MOD)



ENTRY ORDER NUMBER	CONDUIT SIZE	TINEL RING SIZE <span style="border: 1px solid black; border-radius: 50%; padding: 2px;">3</span>	L ADDER REF	S DIA
05	0187	TR05XI	--	.438-.433 [11,13-11,00]
06	0281	TR06XI	--	.501-.496 [12,73-12,60]
07	0312	TR07XI	--	.563-.556 [14,31-14,12]
08	0375	TR08XI	--	.626-.619 [15,91-15,72]
09	0437	TR10XI	--	.752-.742 [19,11-18,84]
10	0500	TR10XI	.031 [0.79]	.752-.742 [19,11-18,84]
12	0625	TR12XI	.031 [0.79]	.877-.867 [22,28-22,02]
16	0750	TR16XI	.125 [3.18]	1.127-1.116 [28,63-28,34]
18	0875	TR18XI	.250 [6.35]	1.252-1.241 [31,81-31,52]
20	1000	TR20XI	.250 [6.35]	1.377-1.366 [34,98-34,69]
24	1250	TR24XI	.500 [12.70]	1.627-1.613 [41,33-40,97]
28	1500	TR28BI	.500 [12.70]	1.877-1.863 [47,68-47,32]
30	1625	N/A	.500 [12.70]	2.002-1.988 [50,85-50,50]

NOTES:

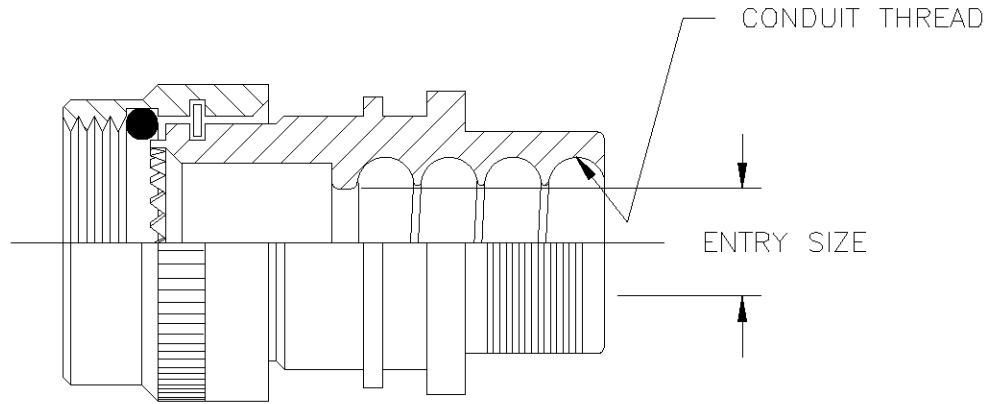
- 1 LENGTH (MAX) = L ADDER + MAX LENGTH SHOWN ON SCD.  
FOR ANGULAR ADAPTERS, ADD "L" ADDER TO BACK END TANGENT DIMENSION.
2. THE "Z" DIAMETER [ENTRY SIZE] SHOWN ON THE SCD IS NOT APPLICABLE WHEN THIS MODIFICATION IS SPECIFIED. SEE SHEET 6 FOR FURTHER DETAILS.
- 3 REPLACE "X" WITH AN APPROPRIATE RING TYPE, I.E. A, B OR C. REFER TO "TR" DRAWING.

If this document is printed it becomes uncontrolled. Check for the latest revision

SPECIFICATION CONTROL DRAWING

SIZE A	CODE IDENT. NO. 06090	DWG. NO. CH00-0250-008	REV W1
DO NOT SCALE THIS DWG		CAD NAME R060376E	SHEET 5 OF 11

FIGURE 3A: CONDUIT MODIFICATION ("H" MOD)



ADAPTER ENTRY SIZE	CONDUIT ENTRY SIZE MAX	TINEL RING SIZE
04	06	TR06XI
05	07	TR07XI
06	08	TR08XI
07	09	TR09XI
08	10	TR10XI
10	12	TR12XI
12	16	TR16XI
14	18	TR18XI
16	20	TR20XI
18	20	TR20XI
20	24	TR24XI
22	24	TR24XI
24	30	N/A
28	30	N/A

NOTES:

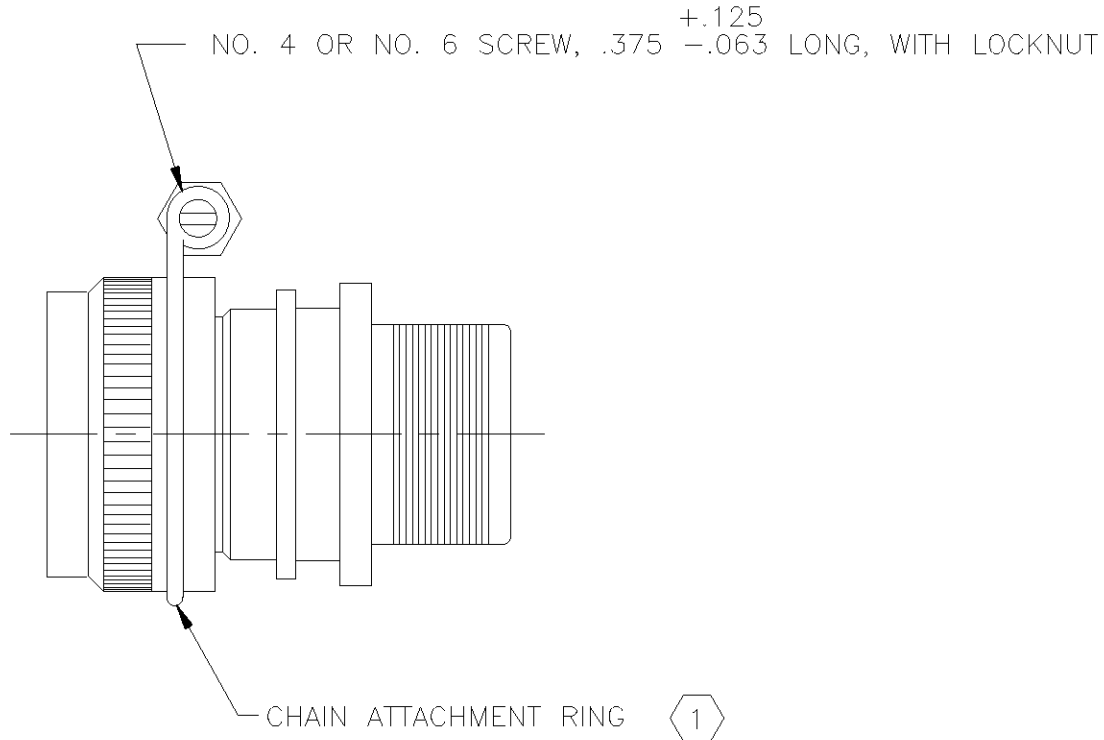
1. WHEN THE "H" MODIFICATION IS ORDERED THE MAXIMUM ENTRY SIZE IS INCREASED FROM THAT SHOWN ON THE RELEVANT ADAPTER SCD TO THOSE SHOWN IN THE TABLE.

If this document is printed it becomes uncontrolled. Check for the latest revision

**SPECIFICATION CONTROL DRAWING**

SIZE A	CODE IDENT. NO. 06090	DWG. NO. CH00-0250-008	REV W1
DO NOT SCALE THIS DWG		CAD NAME R060376F	SHEET 6 OF 11

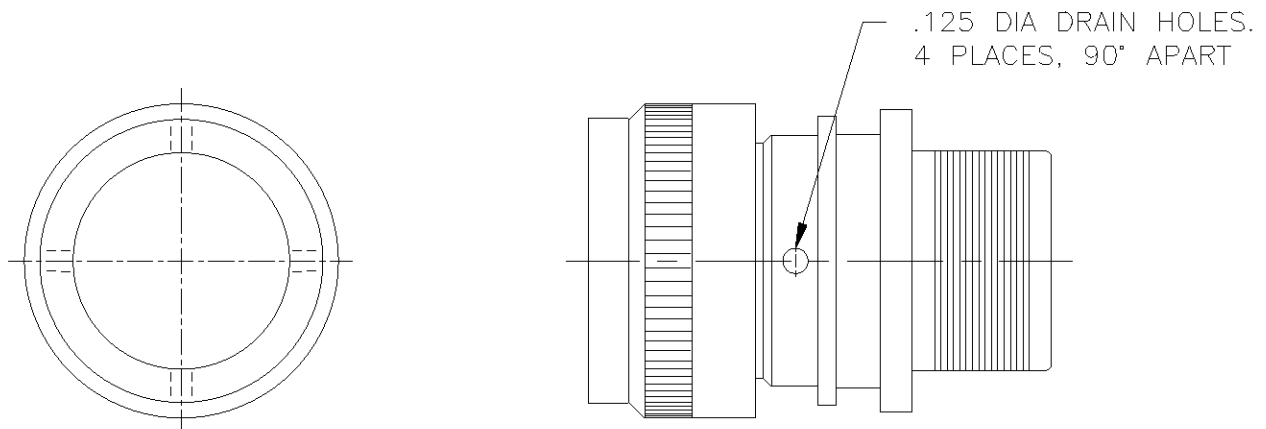
FIGURE 4: CHAIN ATTACHMENT ASSEMBLY ("J" MOD)



NOTES:

- ① MATERIAL: STAINLESS STEEL  
RING SHOULD BE SECURELY CAPTIVATED ON COUPLING NUT WHEN CLOSED,  
BUT MUST BE ABLE TO ROTATE FREELY.
2. CHAIN ATTACHMENT SUPPLIED ASSEMBLED TO ADAPTER.

FIGURE 5: DRAIN HOLES MODIFICATION ("D" MOD)

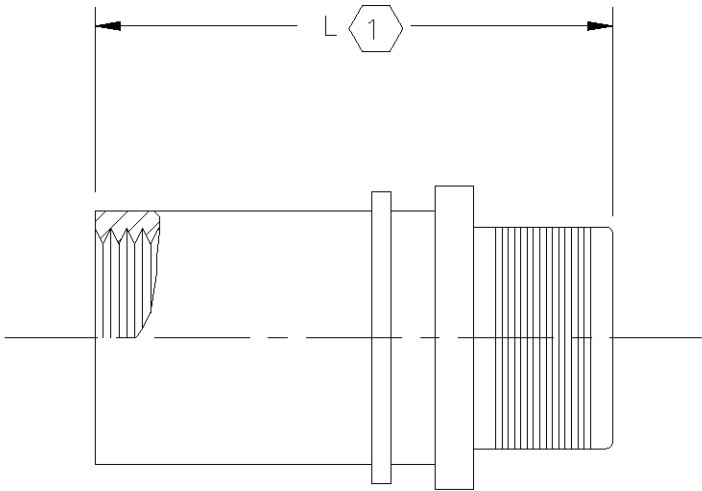


If this document is printed it becomes uncontrolled. Check for the latest revision

SPECIFICATION CONTROL DRAWING

SIZE A	CODE IDENT. NO. 06090	DWG. NO. CH00-0250-008	REV W1
DO NOT SCALE THIS DWG		CAD NAME R060376G	SHEET 7 OF 11

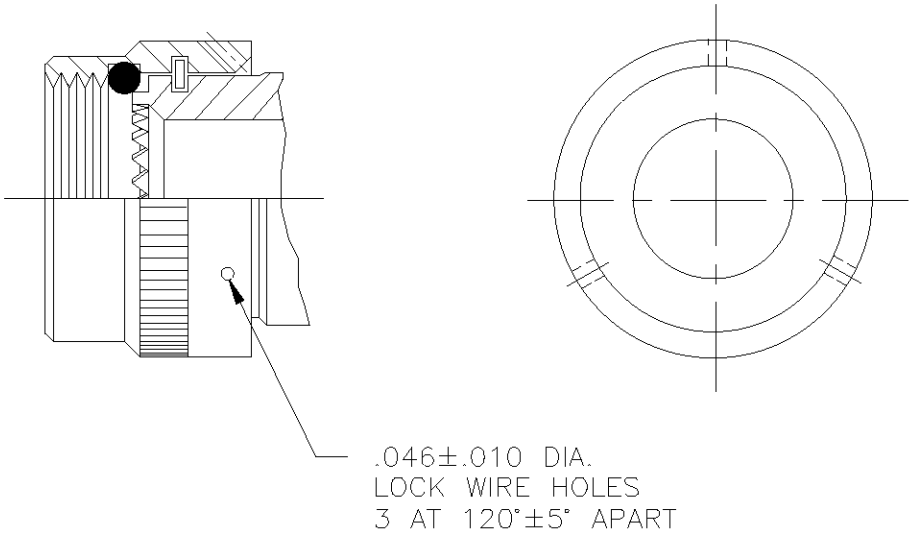
FIGURE 7: SOLID TINEL-LOCK ADAPTER ("T" MOD)



NOTES:

- 1 L MAX = MAX LENGTH SHOWN ON SCD +.094 INCHES.
- 2. "T" MOD IS ONLY AVAILABLE FOR STRAIGHT CONFIGURATION, TYPE I ADAPTERS.

FIGURE 8: LOCK WIRE HOLES ("L" MOD)



If this document is printed it becomes uncontrolled. Check for the latest revision

SPECIFICATION CONTROL DRAWING

SIZE A	CODE IDENT. NO. 06090	DWG. NO. CH00-0250-008	REV W1
DO NOT SCALE THIS DWG		CAD NAME R060376H	SHEET 8 OF 11



# ALIGNMENT REQUIREMENT

FIGURE 9

APPLIES TO CODES  
40, 41, 47, 54, 58, 64,  
66, 75, 76, 78 AND 79

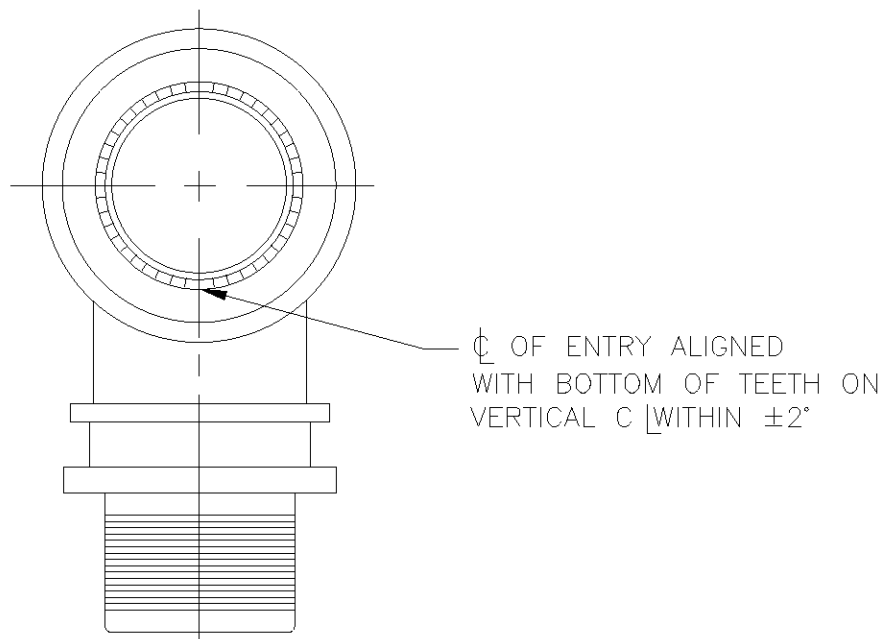
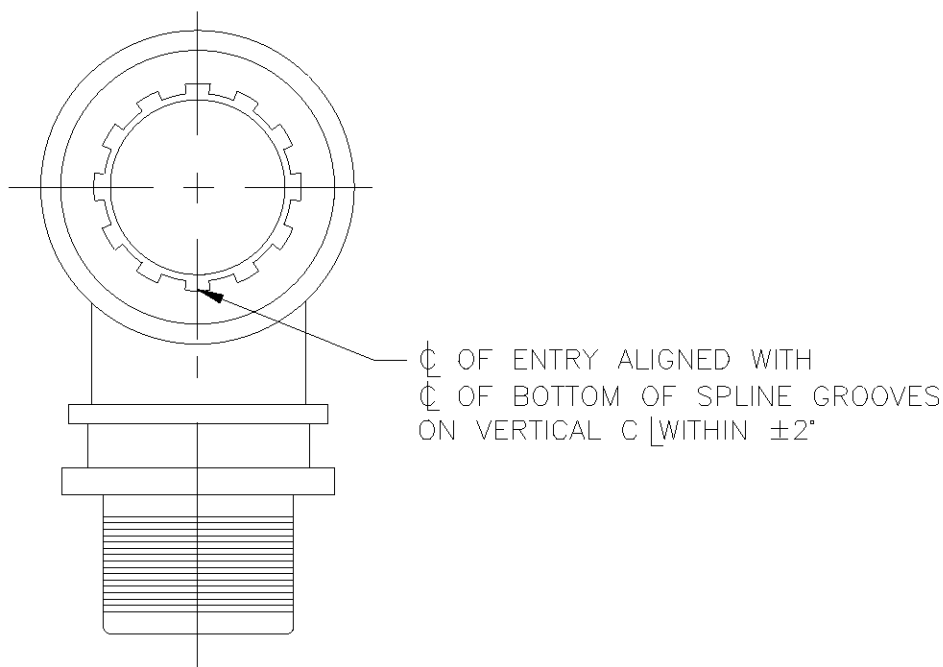


FIGURE 10

APPLIES TO CODES  
30 AND 61



NOTES:

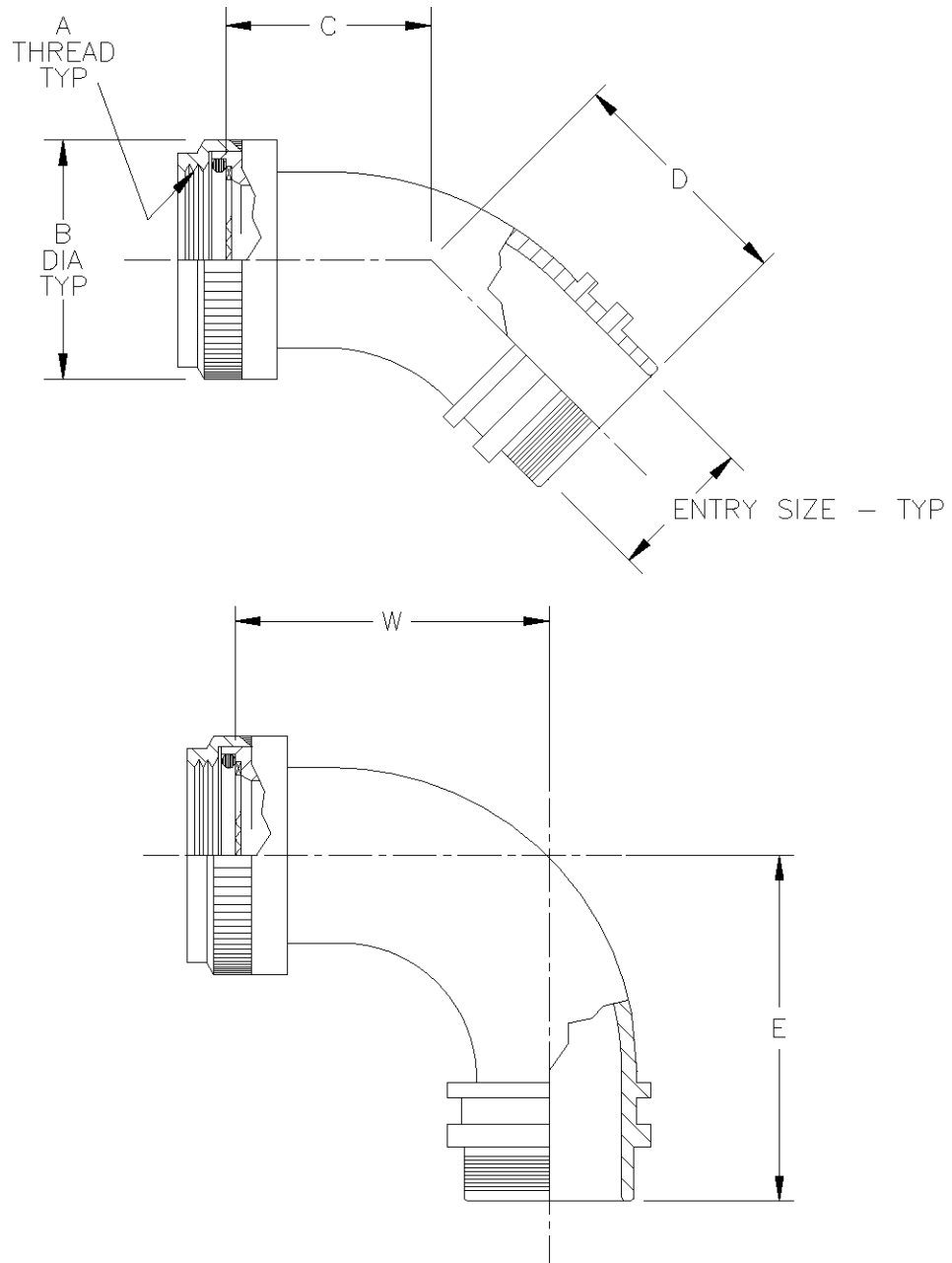
1. 90° CONFIGURATION DEPICTED. THIS REQUIREMENT WILL APPLY TO ANY ANGULAR CONFIGURATION.

If this document is printed it becomes uncontrolled. Check for the latest revision

## SPECIFICATION CONTROL DRAWING

SIZE A	CODE IDENT. NO. 06090	DWG. NO. CH00-0250-008	REV W1
DO NOT SCALE THIS DWG		CAD NAME R060376I	SHEET 9 OF 11

FIGURE 11: 4W (45°) AND 9W (90°) ANGULAR OPTION



NOTES:

1. FOR DIAMETERS A THREAD, B AND ENTRY SIZE REFER TO BASIC ADAPTER SCD.
2. FOR DIMENSIONS C, D, W AND E REFER TO SHEET 11.
3. THIS STYLE OF ADAPTER IS FOR TYPE I ASSEMBLIES ONLY. CONTACT **TE CONNECTIVITY** FOR FURTHER INFORMATION.

If this document is printed it becomes uncontrolled. Check for the latest revision

SPECIFICATION CONTROL DRAWING

SIZE A	CODE IDENT. NO. 06090	DWG. NO. CH00-0250-008	REV W1
DO NOT SCALE THIS DWG		CAD NAME R060376J	SHEET 10 OF 11

# TABLE OF DIMENSIONS - 4W (45°) AND 9W (90°) ANGULAR OPTION

DIMENSIONS BY CONNECTOR CODE NUMBER AND RELATIVE ORDER NUMBER

CONNECTOR CODE NUMBER											DIMENSIONS				
18	21	30	32	40	41	47	51	54	61	76	C MAX	D MAX	W MAX	E MAX	
ORDER NUMBER	08	08			08	08	08	08	08	08	0.937 [23.80]	1.220 [31.00]	1.250 [31.75]	1.530 [38.86]	
	10														
	11	10			10	10	10	10	03	10	1.000 [25.40]	1.280 [32.50]	1.375 [34.93]	1.655 [42.04]	
									10						
	12	12	10	12	12	12	12	12		12	1.063 [27.00]	1.350 [34.30]	1.500 [38.10]	1.780 [45.21]	
	14														
	16	14	12	14	14	14	14	14	14	14	1.125 [28.58]	1.410 [35.80]	1.625 [41.28]	1.905 [48.39]	
	18	16	14	16	16	16	16	16	16	16	1.187 [30.16]	1.470 [37.34]	1.750 [44.45]	2.030 [51.56]	
	20	18	16	18	18	18	18	18	18	18	1.218 [30.94]	1.500 [38.10]	1.875 [47.63]	2.155 [54.74]	
	22	20	18	20	20	20	20	20	20	20	1.281 [32.54]	1.540 [39.12]	2.000 [50.80]	2.280 [57.91]	
	24	22		22	22	22	22	22	22	22	1.312 [33.32]	1.600 [40.64]	2.125 [53.98]	2.405 [61.09]	
		24	22		24	24	24	24	24	24	1.375 [34.93]	1.660 [42.16]	2.250 [57.15]	2.530 [64.26]	
			24						61						
	28			24					28			1.468 [37.29]	1.720 [43.70]	2.500 [63.50]	2.780 [70.61]
32		28	28					32			1.562 [39.67]	1.850 [47.00]	2.750 [69.85]	3.030 [76.96]	
36		32	32					36			1.687 [42.85]	1.970 [50.00]	3.000 [76.20]	3.280 [83.31]	
40			36					40			1.812 [46.02]	2.100 [53.34]	3.250 [82.55]	3.530 [89.66]	

NOTES:

- FOR INFORMATION ON CODES NOT SHOWN, CONTACT TE CONNECTIVITY

*If this document is printed it becomes uncontrolled. Check for the latest revision*

## SPECIFICATION CONTROL DRAWING

SIZE	CODE IDENT. NO.	DWG. NO.	REV
A	06090	CH00-0250-008	W1
DO NOT SCALE THIS DWG		CAD NAME R060376K	SHEET 11 OF 11