

P	LTR	DESCRIPTION	DATE	DWN	APVD
	A1	REVISED PER ECR-20-001554	03FEB2020	GK	MN

GROMMET STRIP NOTES

1. MATERIAL - TYPE - LOW DENSITY POLYETHENE
COLOUR - NATURAL

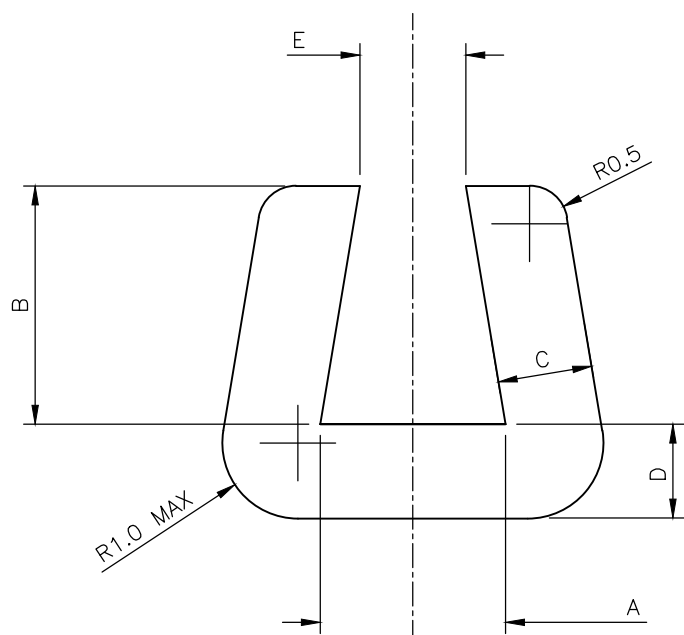
② INDIVIDUAL PACKAGING DETAILS

③ BULK PACKAGING DETAILS

④ NOT RELEASED FOR PRODUCTION

5. FOR TECHNICAL DATA REFER TO YOUR LOCAL TE CONNECTIVITY SALES OFFICE

6. ALL DIMENSIONS ARE NOMINAL FOR REFERENCE ONLY UNLESS OTHERWISE STATED

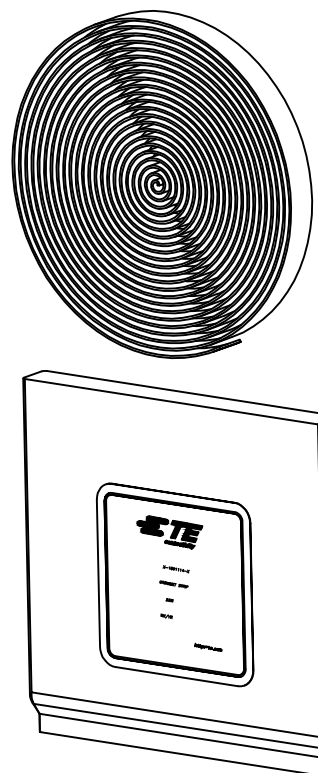


NOTE - MAXIMUM INEQUALITY IN B = 0.25mm

② INDIVIDUAL PACKAGING DETAILS

NOTE

25M COIL PACKAGED IN A 200 GAUGE POLY BAG

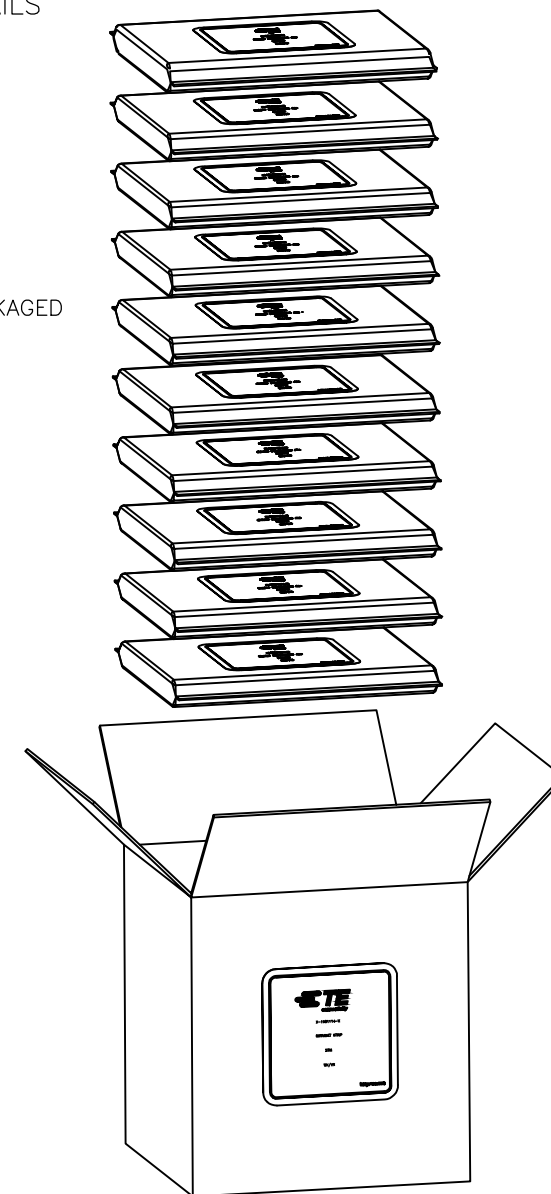


③ BULK PACKAGING DETAILS

NOTE

SIZE 2 IS 20 X 25M COILS PACKAGED
IN A 500mm x 250mm x 200mm BOX

SIZE 3 AND 4 IS 10 X 25M COILS PACKAGED
IN A 500mm x 250mm x 200mm BOX



④	3100g	2.3-2.05	1.4-0.9	1.25-0.75	3.55-2.85	3.6-3.35	④	250m GROMMET STRIP, SIZE 4	-	3-1991136-1
④	2400g	1.4-1.15	1.25-0.75	1.25-0.75	3.15-2.45	2.45-2.05	④	250m GROMMET STRIP, SIZE 3	-	2-1991136-1
④	3600g	1.0-0.8	1.15-0.65	1.15-0.65	2.7-2.0	1.55-1.15	④	500m GROMMET STRIP, SIZE 2	-	1-1991136-1
	310g	2.3-2.05	1.4-0.9	1.25-0.75	3.55-2.85	3.6-3.35	④	25m GROMMET STRIP, SIZE 4	0496	3-1991136-0
	240g	1.4-1.15	1.25-0.75	1.25-0.75	3.15-2.45	2.45-2.05	④	25m GROMMET STRIP, SIZE 3	0495	2-1991136-0
	180g	1.0-0.8	1.15-0.65	1.15-0.65	2.7-2.0	1.55-1.15	④	25m GROMMET STRIP, SIZE 2	0494	1-1991136-0
	WEIGHT/COIL (MEAN)	E	D	C	B	A	PACKAGING OPTION	DESCRIPTION	SPECIAL SALES PART No	PART No.

THIS DRAWING IS A CONTROLLED DOCUMENT.

DWN: A. Morey 17OCT07
CHK: S. Parlow 18OCT07
APVD: F. Wheeler-King 18OCT07

TE Connectivity

GROMMET STRIP

SIZE: A3 CAGE CODE: 00779 DRAWING NO: C-1991136 RESTRICTED TO: -

CUSTOMER DRAWING SCALE: 10:1 SHEET: 1 OF 1 REV: A1