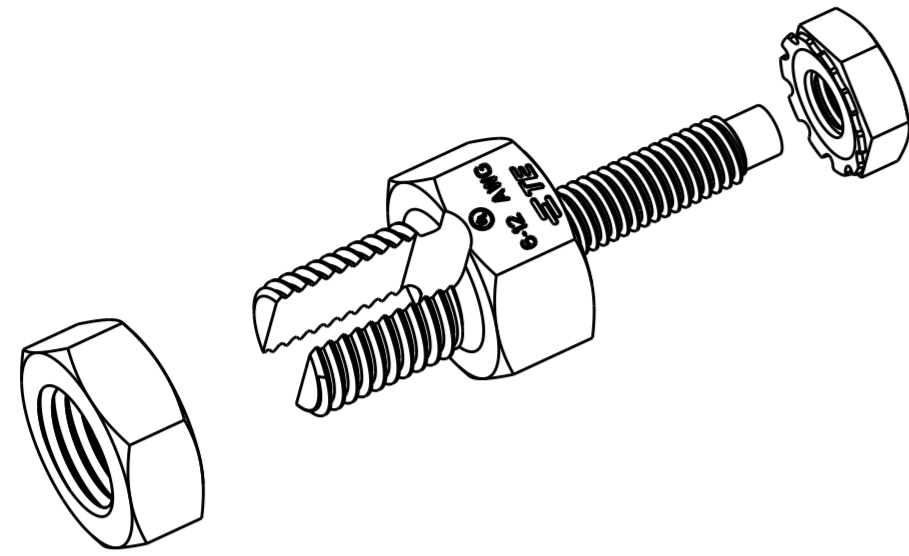


THIS DRAWING IS UNPUBLISHED. RELEASED FOR PUBLICATION 20
 © COPYRIGHT 20 BY TYCO ELECTRONICS CORPORATION. ALL RIGHTS RESERVED.

LOC		DIST		REVISIONS			
P	LTR	DESCRIPTION	DATE	DWN	APVD		
	A	REVISED PER ECO-10-009004	28APR2010	KT	SG		
	B	REVISED PER ECO-13-007617	06MAY2013	YZ	DT		

- PARTS PACKAGED UNASSEMBLED.
- △ PARTS INDIVIDUALLY BULK PACKED & SHIPPED AS A UNIT PACKAGE.
- THIS PRODUCT HAS COMPLETED UL CERTIFICATION FOR GROUNDING AND BONDING EQUIPMENT (E69905).



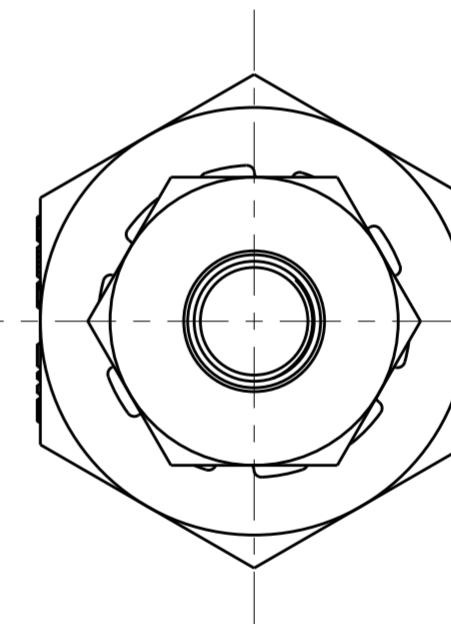
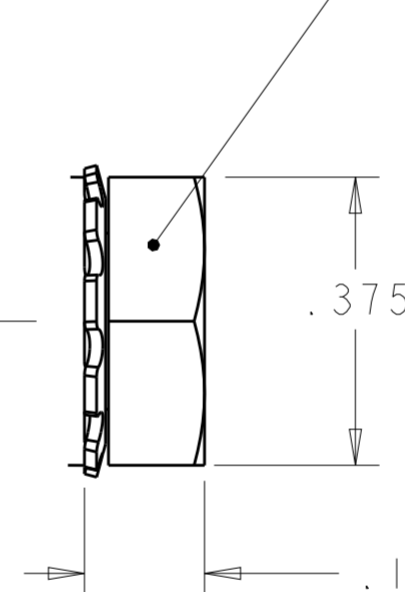
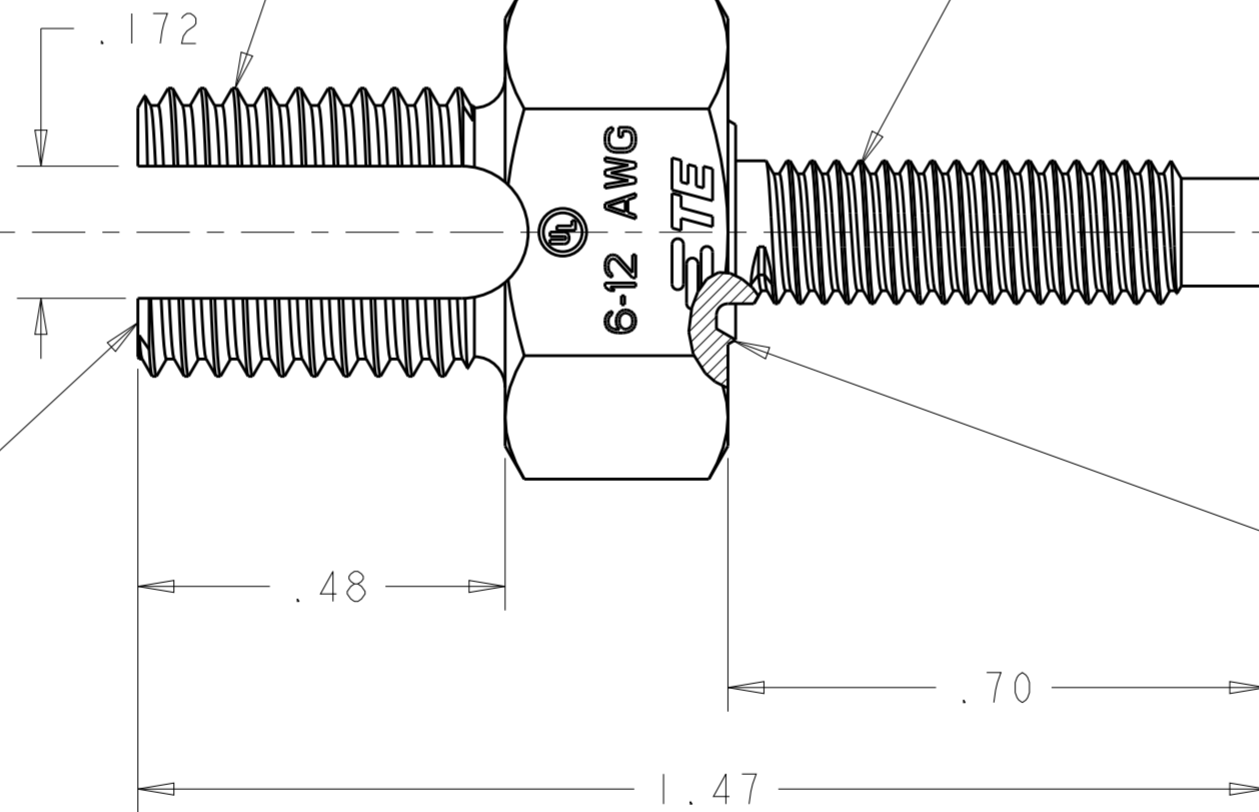
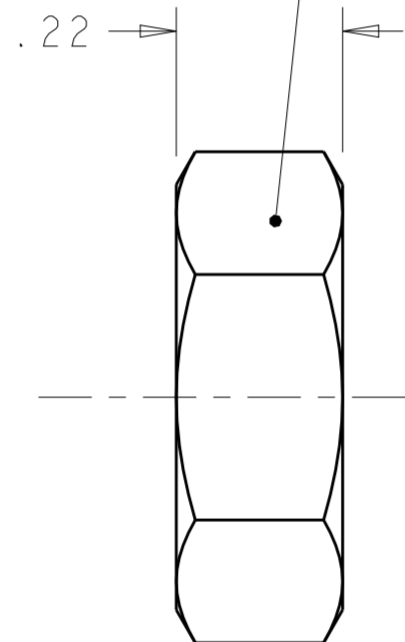
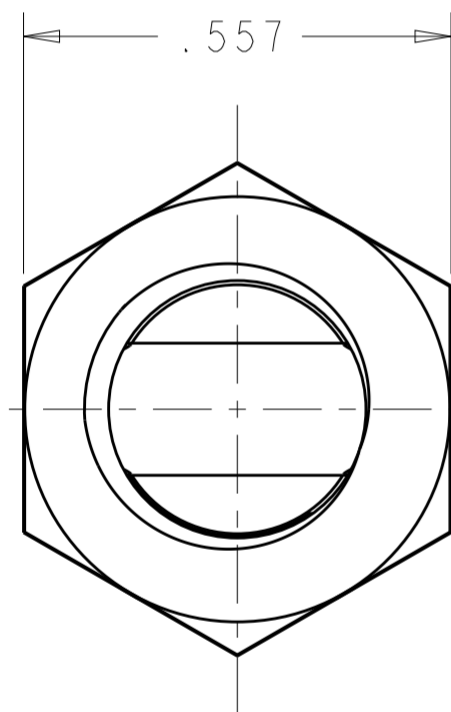
SCALE 2:1

NUT, HEX, 3/8-24UNF-2B;
 MATERIAL: STAINLESS STEEL
 FINISH: PASSIVATED
 QTY: 1

3/8-24UNF-2A THREAD

#10-32UNF-2A THREAD

NUT-WASHER, KEPS; #10-32UNF-2B
 MATERIAL: STAINLESS STEEL
 FINISH: PASSIVATED
 QTY: 1



GROUNDING BOLT;
 MATERIAL: STAINLESS STEEL
 FINISH: PASSIVATED
 QTY: 1

ANNULAR SHARP
 GROUNDING FEATURE

△ 2106831-1
 PART NO.

THIS DRAWING IS A CONTROLLED DOCUMENT FOR TYCO ELECTRONICS CORPORATION IT IS SUBJECT TO CHANGE AND THE CONTROLLING ENGINEERING ORGANIZATION SHOULD BE CONTACTED FOR THE LATEST REVISION.		DWN D. E. STAHL 07OCT2009	Tyco Electronics Harrisburg, PA 17105-3608	
DIMENSIONS: INCHES		CHK S. GOOD 07OCT2009	NAME WIRE GROUNDING ASSEMBLY 6-12 AWG, SOLID WIRE	
TOLERANCES UNLESS OTHERWISE SPECIFIED: 0 PLC ±.1 1 PLC ±.02 2 PLC ±.02 3 PLC ±.010 4 PLC ±. ANGLES ±.		APVD S. GHERARDINI 07OCT2009	PRODUCT SPEC 108-2380	
MATERIAL SEE CALLOUTS		FINISH SEE CALLOUTS	APPLICATION SPEC 114-13242	RESTRICTED TO -
MATERIAL SEE CALLOUTS		FINISH SEE CALLOUTS	WEIGHT -	SCALE 4:1
CUSTOMER DRAWING		SIZE A2	CAGE CODE 00779	DRAWING NO 2106831
SHEET 1 OF 1		REV B		