

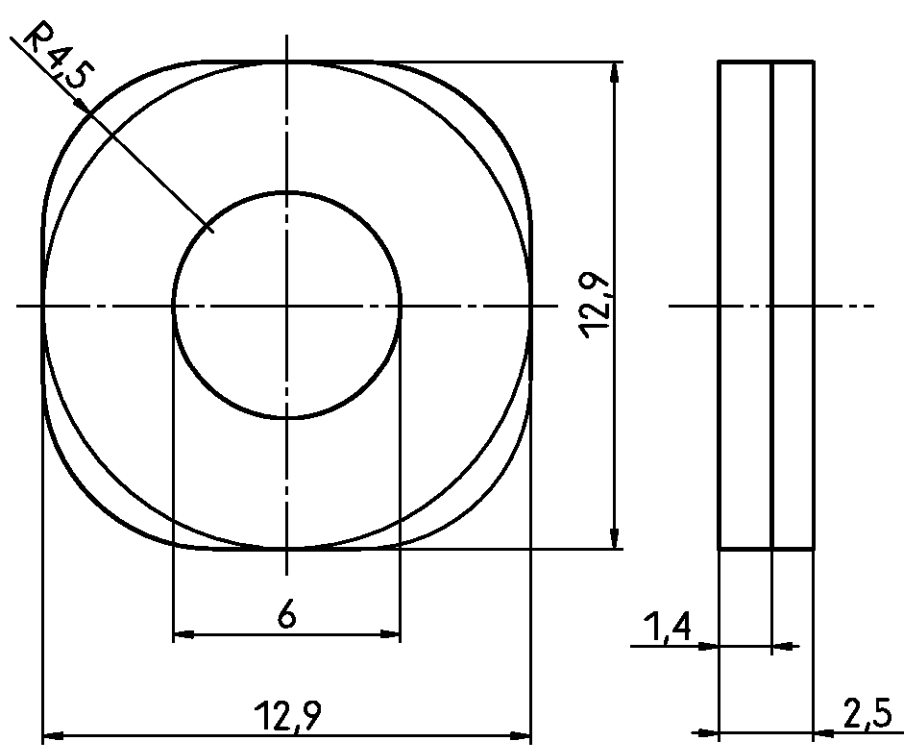
1 2 3 4

A

B

C

D



	Old Part Number	Tyco Part Number	colour
	V42254-A6206-L1	4-1393561-9	grey
SUPERSEDED BY 4-1393561-9	V42254-A6206-L100	5-1393561-0	black



TE Connectivity

LOC
GW

DIMENSIONS
IN MM



SCALE 5:1

WEIGHT

MATERIAL

F

				DATE	01.08.88	PART NAME bushing D-Sub housing
				NAME	Vandewyngaerde	
				DEP.	PD Com P&SE	
				EC		
B	ECO-18-013397	24AUG18	DG	TOLERANCE UNLESS SPECIFIED OTHERWISE		PART NO.
A	WO00/7013	03.07.00	KV			SHT. 1-
01		01.08.88	VDW			V42254-A6206-L1-*27
REV.	CHANGE ORDER	DATE	APP.	customer drawing number: C 4-1393561-9		OF 1

1 2 3 4

THIS INFORMATION IS CONFIDENTIAL AND PROPRIETARY TO TYCO ELECTRONICS CORPORATION AND ITS WORLDWIDE SUBSIDIARIES AND AFFILIATES. IT MAY NOT BE DISCLOSED TO ANYONE, OTHER THAN TYCO ELECTRONICS PERSONNEL, WITHOUT WRITTEN AUTHORIZATION FROM TYCO ELECTRONICS CORPORATION, HARRISBURG, PENNSYLVANIA USA.

PROPRIETARY: