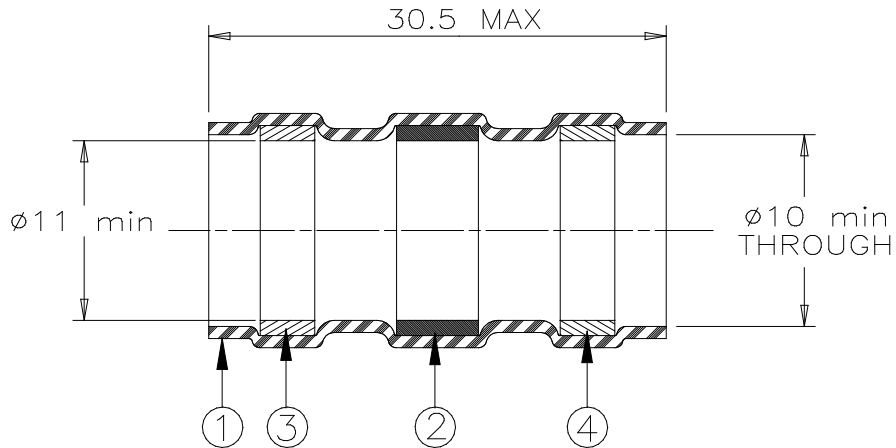


CUSTOMER DRAWING



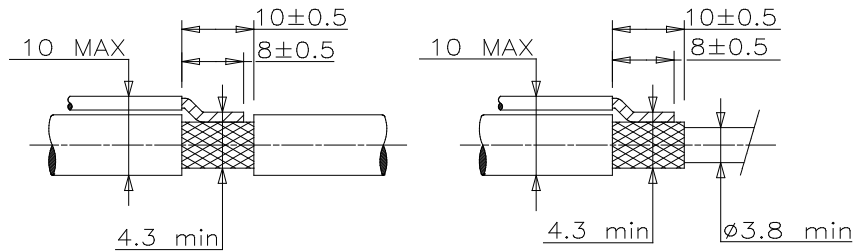
MATERIALS

1. INSULATION SLEEVE: Heat-shrinkable, transparent blue, radiation cross-linked modified polyvinylidene fluoride.
2. SOLDER PREFORM WITH FLUX:
 - SOLDER: TYPE Sn96 per ANSI-J-STD-006.
 - FLUX: TYPE ROM1 per ANSI-J-STD-004.
3. MELTABLE SEALING RING: Thermally stabilized thermoplastic. Color: blue.
4. MELTABLE SEALING RING: Thermally stabilized thermoplastic. Color: red.


APPLICATION

1. This controlled soldering device is designed for termination of a nickel plated copper shield on a cable having an insulation rated for at least 150°C.
2. Temperature range: -55°C to +175°C. For application tooling, contact your local Raychem technical service.

For best results, prepare the cable as shown:



TE Connectivity, TE connectivity (logo), Raychem, and SolderSleeve are trademarks

		Raychem THERMOFIT DEVICES		TITLE: SOLDERSLEEVE DEVICE SHIELD TERMINATION HIGH TEMPERATURE		
UNLESS OTHERWISE SPECIFIED DIMENSIONS ARE IN MILLIMETERS. INCHES DIMENSIONS ARE BETWEEN BRACKETS.				DOCUMENT NO.: B-022-06		
TOLERANCES: 0.00 N/A 0.0 N/A 0 N/A	ANGLES: N/A ROUGHNESS IN MICRON	TE Connectivity reserves the right to amend this drawing at any time. Users should evaluate the suitability of the product for their application.		Revision: A	Issue Date: April 2020	
DRAWN BY: M. FORONDA	DATE: 07/10/98	ECO: ECO-20-004960		SCALE: None	SIZE: A	SHEET: 1 of 1