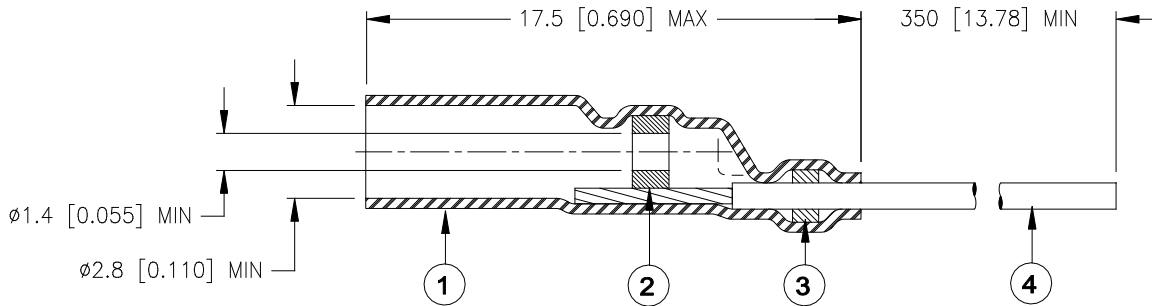


CUSTOMER DRAWING



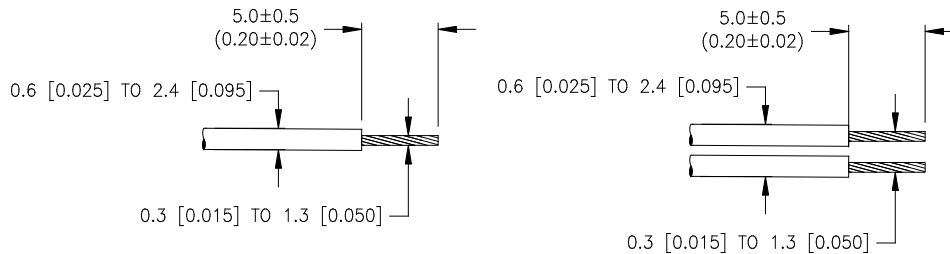
MATERIALS

1. INSULATION SLEEVE: Heat-shrinkable, transparent blue, radiation cross-linked modified polyvinylidene fluoride.
2. SOLDER PREFORM WITH FLUX:
 SOLDER: TYPE Sn63 per ANSI/J-STD-006.
 FLUX: TYPE ROL0 per ANSI/J-STD-004.
3. MELTABLE RING: Thermally stabilized thermoplastic. Color: red.
4. CONDUCTOR LEAD: Raychem 55A0111-24 in accordance with MIL-W-22759/32 AWG24 stranded tin-plated copper wire. Color: white.


APPLICATION

1. This controlled soldering device is designed to terminate with a stranded extension lead:
 - A metallic pin or,
 - the primary of a coaxial cable or,
 - one or several tin or silver plated wire(s), having an insulation rated for at least +125°C.
2. Temperature range: -55°C to +150°C.
3. Install using TE Connectivity-approved convection or infrared tools or equivalent.

For best results, prepare the wire(s) as shown:



TE Connectivity, TE connectivity (logo), Raychem, and SolderSleeve are trademarks

		Raychem		TITLE: SOLDERSLEEVE DEVICE EXTENSION			
Unless otherwise specified dimensions are in millimeters. [Inches dimensions are shown in brackets]				DOCUMENT NO.: B-801-64-350			
TOLERANCES: 0.00 N/A 0.0 N/A 0 N/A	ANGLES: N/A ROUGHNESS IN MICRON	TE Connectivity reserves the right to amend this drawing at any time. Users should evaluate the suitability of the product for their application.		Revision: 2		Issue Date : March 2020	
PREPARED BY: mforonda	DATE: 3-Jun-05	ECO: ECO-20-003568	CAGE CODE : 06090	SCALE: ---	SIZE: A	SHEET: 1 of 1	

Print Date: 13-Mar-20

© 2005 Tyco Electronics Corporation. All rights reserved.

If this document is printed it becomes uncontrolled. Check for the latest revision.